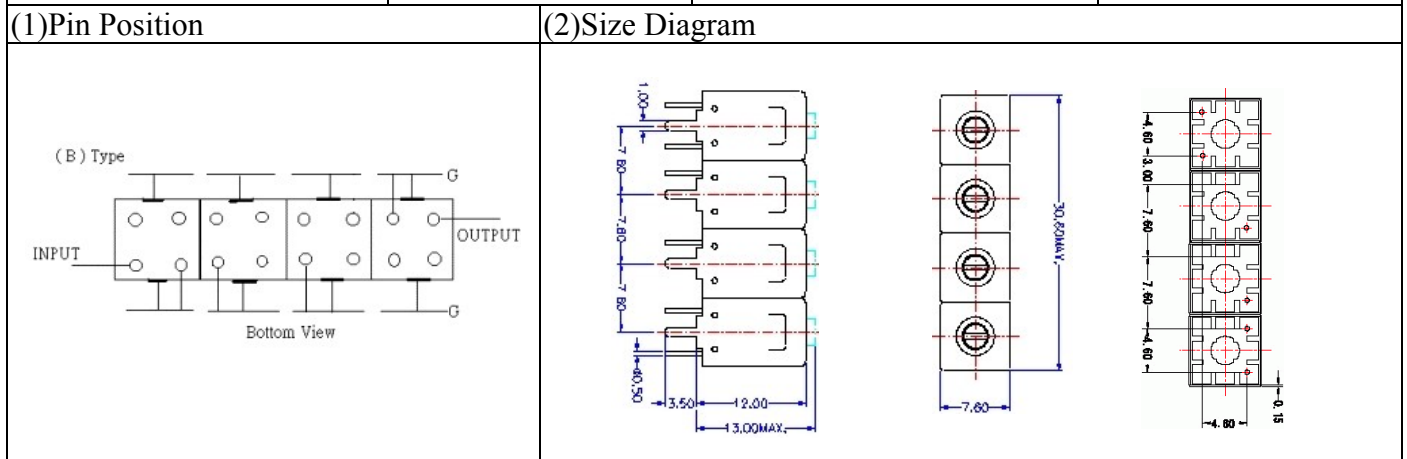
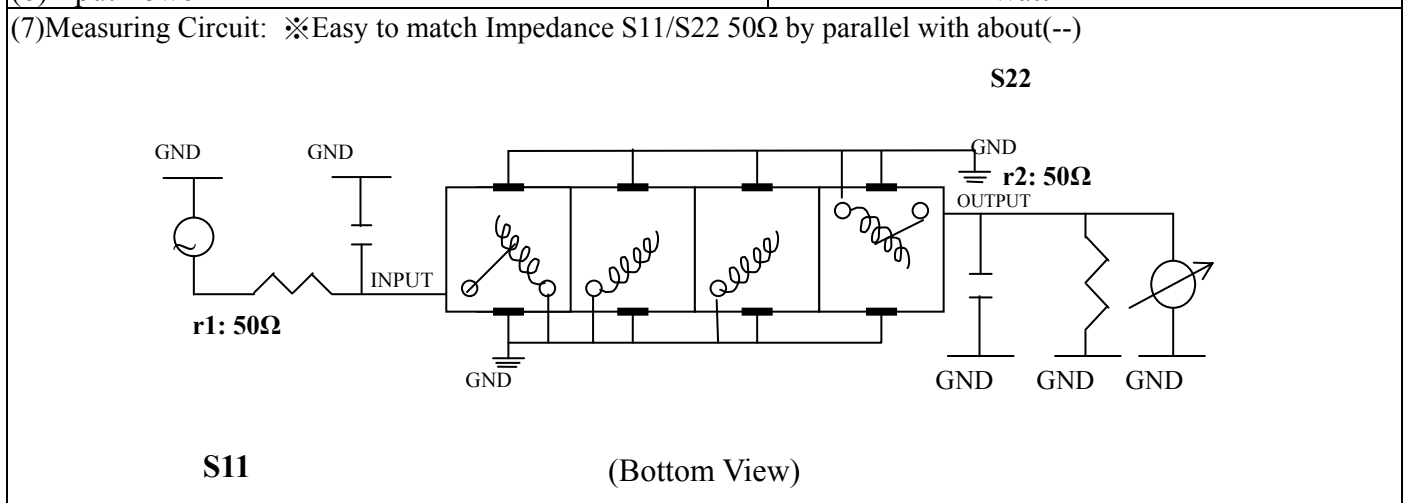


VHF UHF Helical Filter Specification Sheet

Customer Name		Temwell's Part No.	TF69751B-1282.5M
Approval No. /dated	201803029CD	Temwell's Print Name	69751B 1282.5M
Work Instruction No.	201803029CD	Date	Mar.19.2018



(3) Electric Characteristic			
Item		Specify	Performance
Center Freq.(Fo) +/- 0.5 %		1282.5 MHz	1282.5 MHz
Insertion Loss		Typ. 5.0 dB	4.03 dB
-3 dB Bandwidth		Typ. 27 MHz	31.7 MHz
Sensitivity (Attenuation)	Fo - (100) MHz	Typ. 39 dBc	44 dBc
	Fo + (100) MHz	Typ. 32 dBc	37 dBc
	Fo - () MHz	Typ. dB	dB
	Fo + () MHz	Typ. dB	dB
Return Loss		Min. 12 dB	24.3 dB
Ripple		< 1 dB	dB
Impedance		In / Out : 50 Ω	In / Out : 50 Ω
(4) Torque for Tuning Screw		> 60gf · cm	
(5) Temperature Condition:			
Operating Temperature		0°C ~ +60°C	
Storage Temperature		-20°C ~ +70°C	
(6) Input Power		> 1Watt	



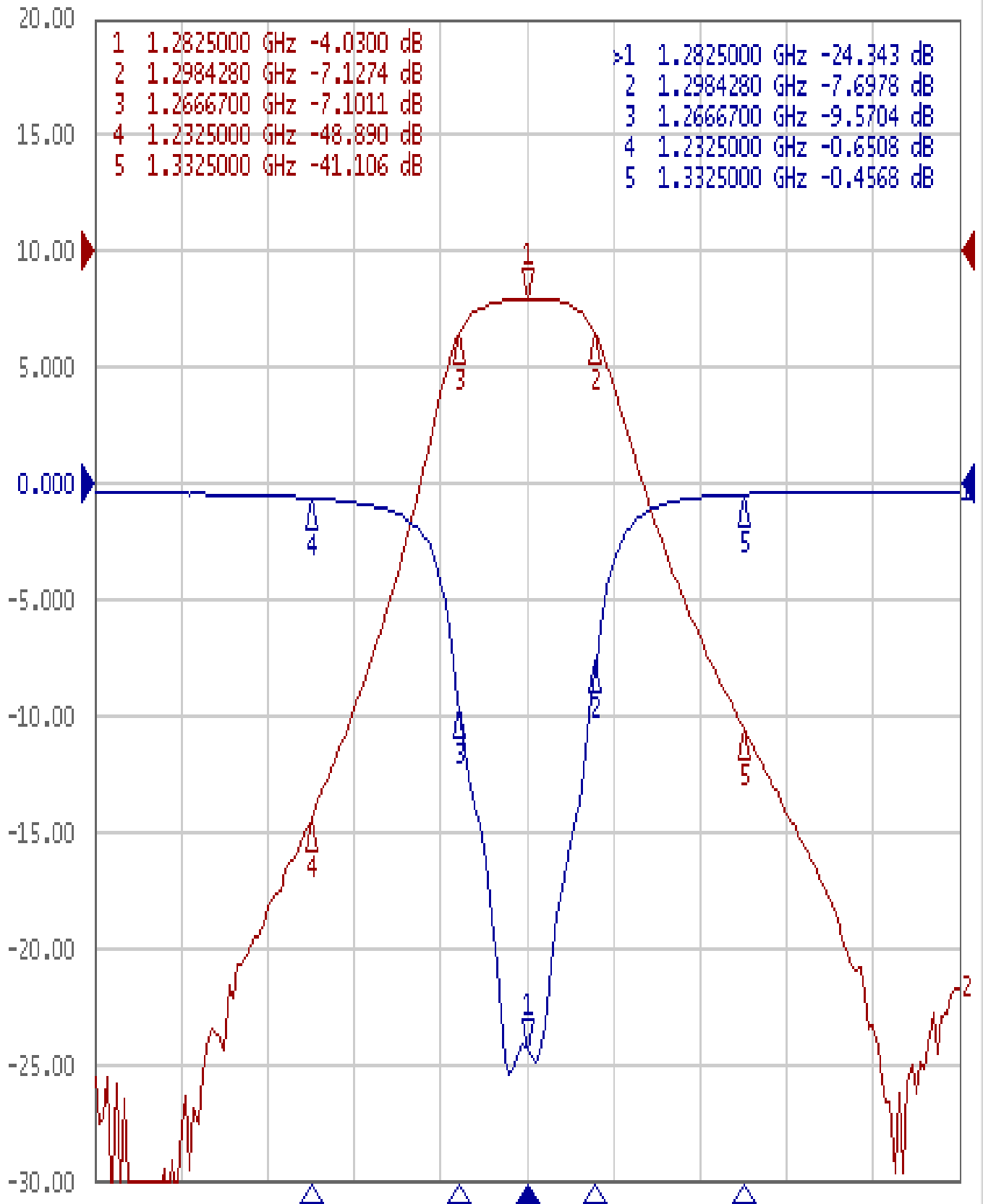
Approval	Supervisor	Designer	Aperture size
C.Y.Chang	C.K.Chang	W.W.Wang	7H4S(4*5.35)(5.37) 7H046RB4-J1
TEMWELL CORPORATION			

Performance-TF69751B-1282.5M

201803029CD

Tr1 S11 Log Mag 5.000dB/ Ref 0.000dB [F2]

Tr2 S21 Log Mag 10.00dB/ Ref 0.000dB [F2]



1 Center 1.2825 GHz

IFBW 70 kHz

Span 200 MHz Cor !