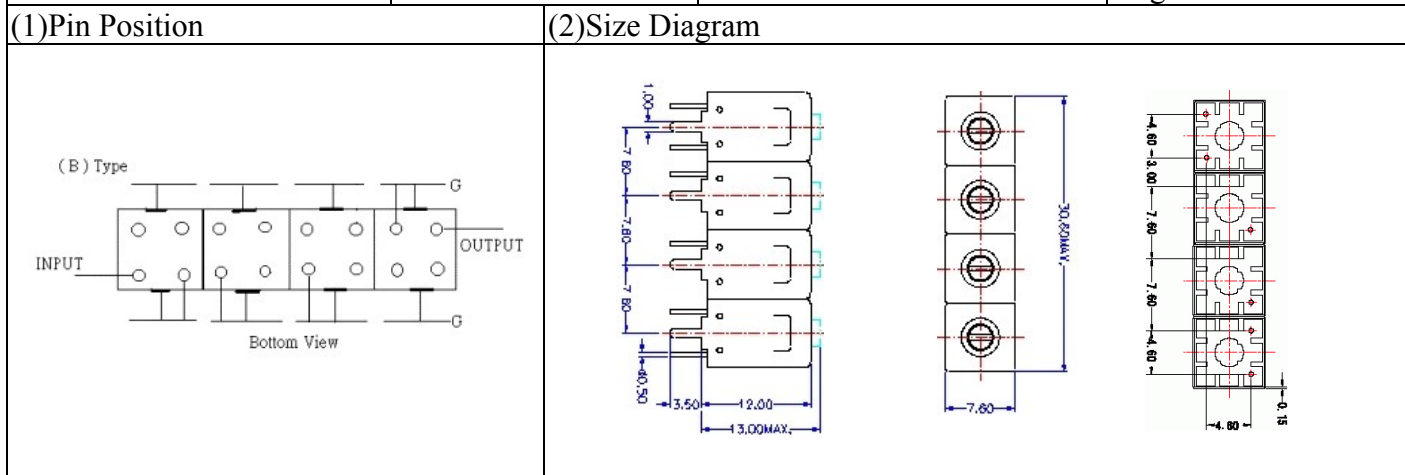


VHF UHF Helical Filter Specification Sheet

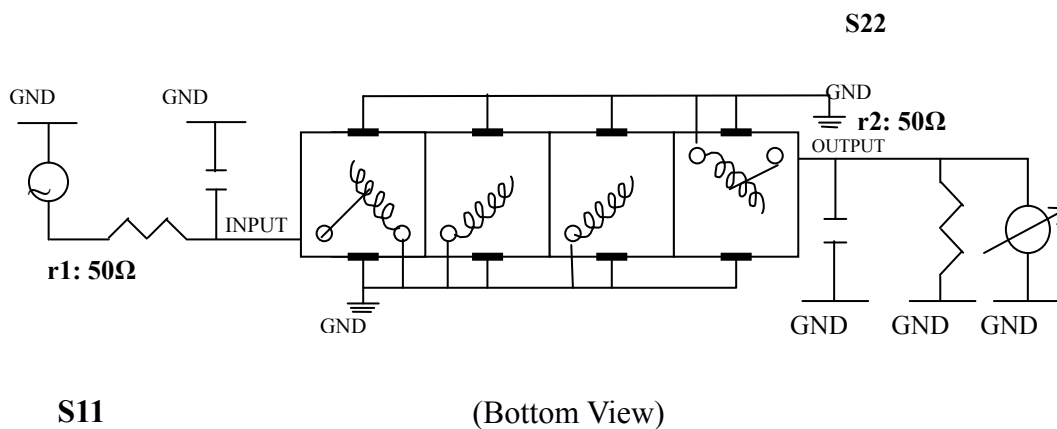
Customer Name		Temwell's Part No.	TF69783B-675M
Approval No. /dated	201707044CD	Temwell's Print name	69783B 675M
Work Instruction No.	201707044CD	Date	Aug.02.2017



(3) Electric Characteristic

Item	Specify	Performance	
Center Freq.(Fo) +/- 0.5 %	675 MHz	675 MHz	
Insertion Loss	Typ. 3.0 dB	2.48 dB	
-3 dB Bandwidth	Typ. 27 MHz	30.5 MHz	
Sensitivity (Attenuation)	Fo - 100 MHz	Typ. 68 dBc	73 dBc
	Fo + 100 MHz	Typ. 57 dBc	62 dBc
	Fo - ()MHz	Typ. dBc	dBc
	Fo + ()MHz	Typ. dBc	dBc
Return Loss	Min. 12 dB	23.7 dB	
Ripple	< 1 dB	dB	
Impedance	In / Out : 50 Ω	In / Out : 50 Ω	
(4) Torque for Tuning Screw	> 60gf · cm		
(5) Temperature Condition:			
Operating Temperature	0°C ~ +60°C		
Storage Temperature	-20°C ~ +70°C		
(6) Input Power	> 1Watt		

(7) Measuring Circuit: ※Easy to match Impedance S11/S22 50Ω/ by parallel with about(--)



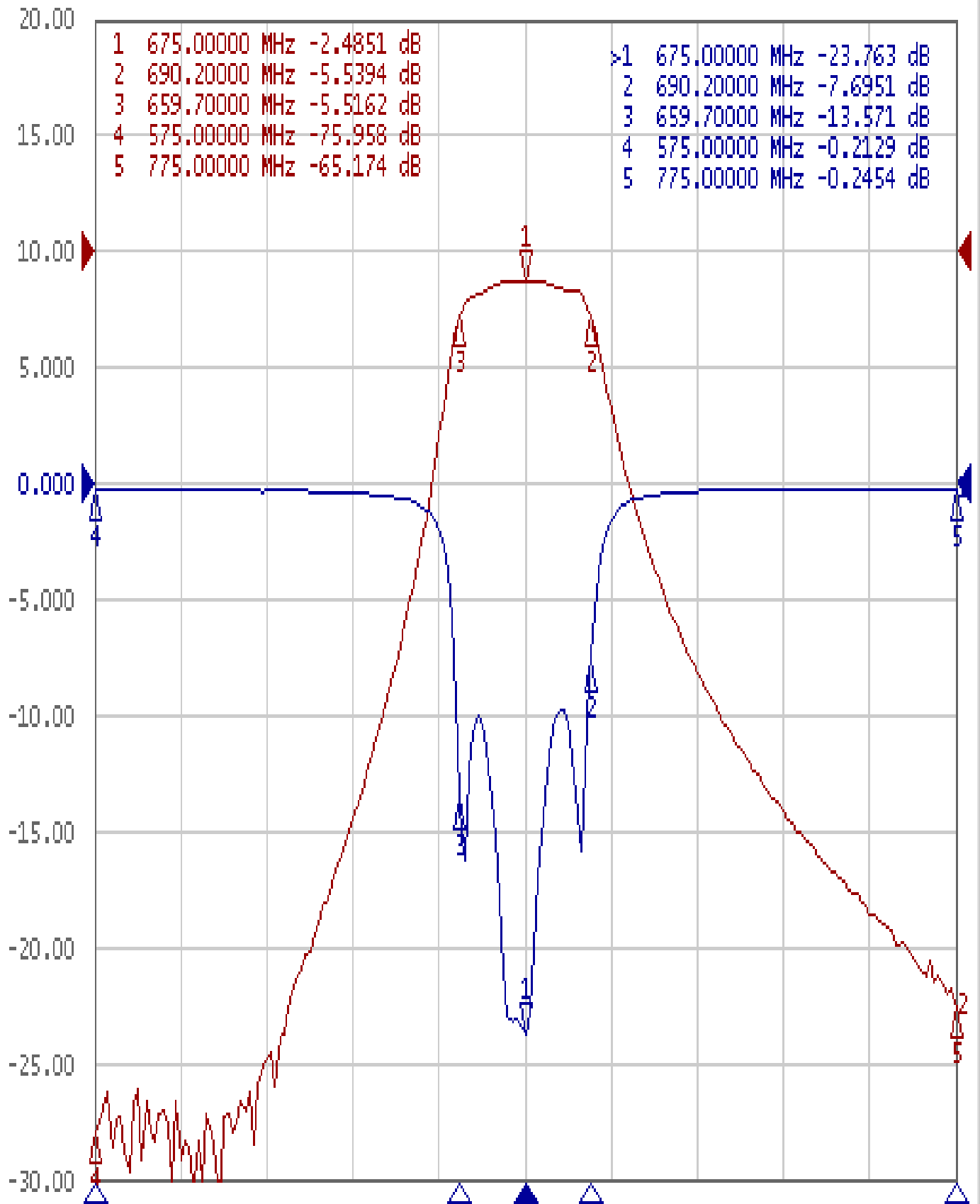
Approval	Supervisor	Designer	Aperture size
C.Y.Chang	C.K.Chang	W.W.Wang	7H4S(4*6.35)(6.39) 7H046RB4

TEMWELL CORPORATION

Performance-TF69783B-675M

201707044C

Tr1 S11 Log Mag 5.000dB/ Ref 0.000dB [F2]
Tr2 S21 Log Mag 10.00dB/ Ref 0.000dB [F2]



1 Center 675 MHz

IFBW 70 kHz

Span 200 MHz

Cor !