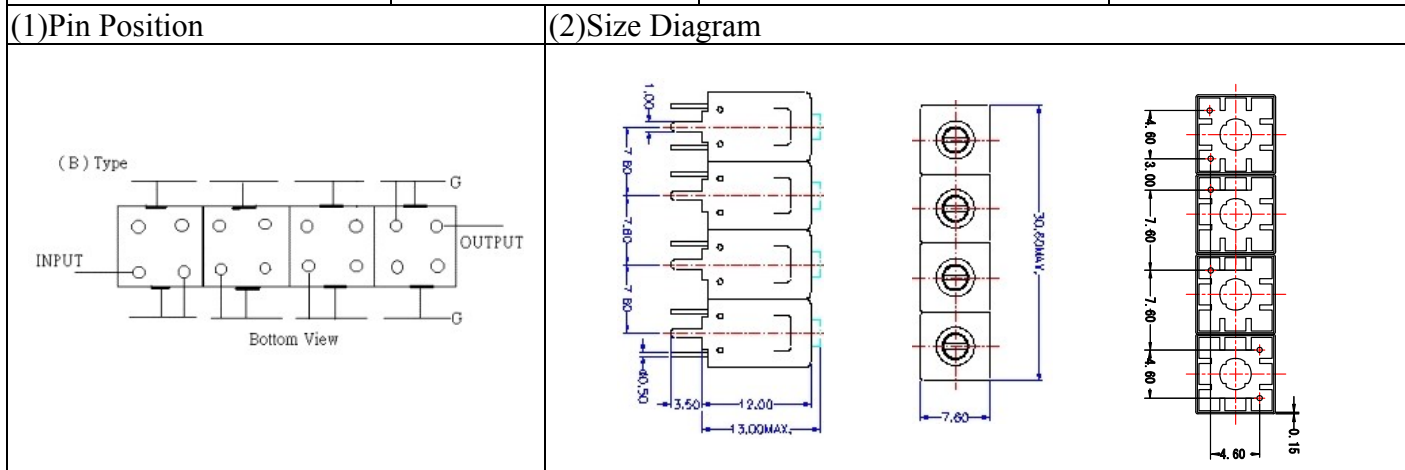


VHF UHF Helical Filter Specification Sheet

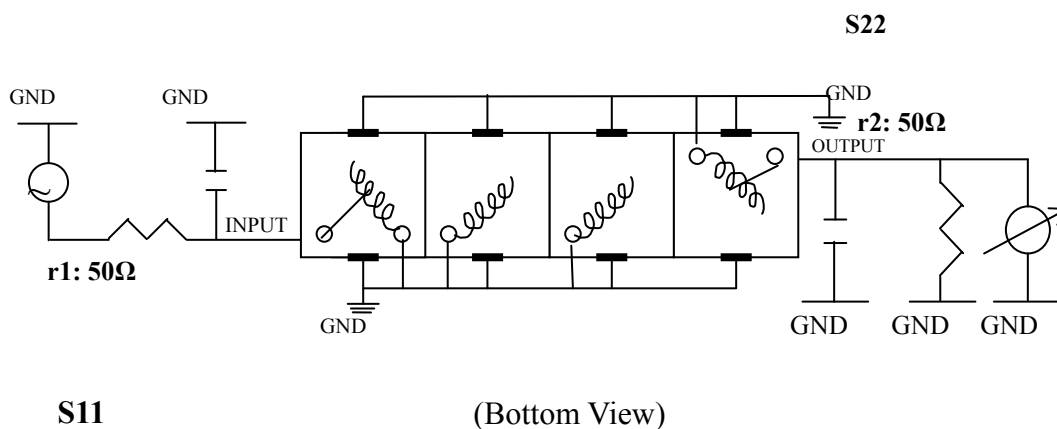
Customer Name		Temwell's Part No.	TF69787B-1215M
Approval No. /dated	201709014CD	Temwell's Print Name	69787B 1215M
Work Instruction No.	201709014CD	Date	Nov.09.2017



(3) Electric Characteristic

Item	Specify	Performance	
Center Freq.(Fo) +/- 0.5 %	1215 MHz	1215 MHz	
Insertion Loss	Typ. 4.5 dB	3.50 dB	
-3 dB Bandwidth	Typ. 25 MHz	34.3 MHz	
Sensitivity (Attenuation)	Fo - 50 MHz	Typ. 39 dBc	44 dBc
	Fo + 50 MHz	Typ. 29 dBc	34 dBc
	Fo - ()MHz	Typ. dB	dB
	Fo + ()MHz	Typ. dB	dB
Return Loss	Min. 12 dB	20.8 dB	
Ripple	< 1 dB	dB	
Impedance	In / Out : 50 Ω	In / Out : 50 Ω	
(4) Torque for Tuning Screw	> 60gf · cm		
(5) Temperature Condition:			
Operating Temperature	0°C ~ +60°C		
Storage Temperature	-20°C ~ +70°C		
(6) Input Power	> 1 Watt		

(7) Measuring Circuit: ※Easy to match Impedance S11/S22 50Ω by parallel with about(- -).



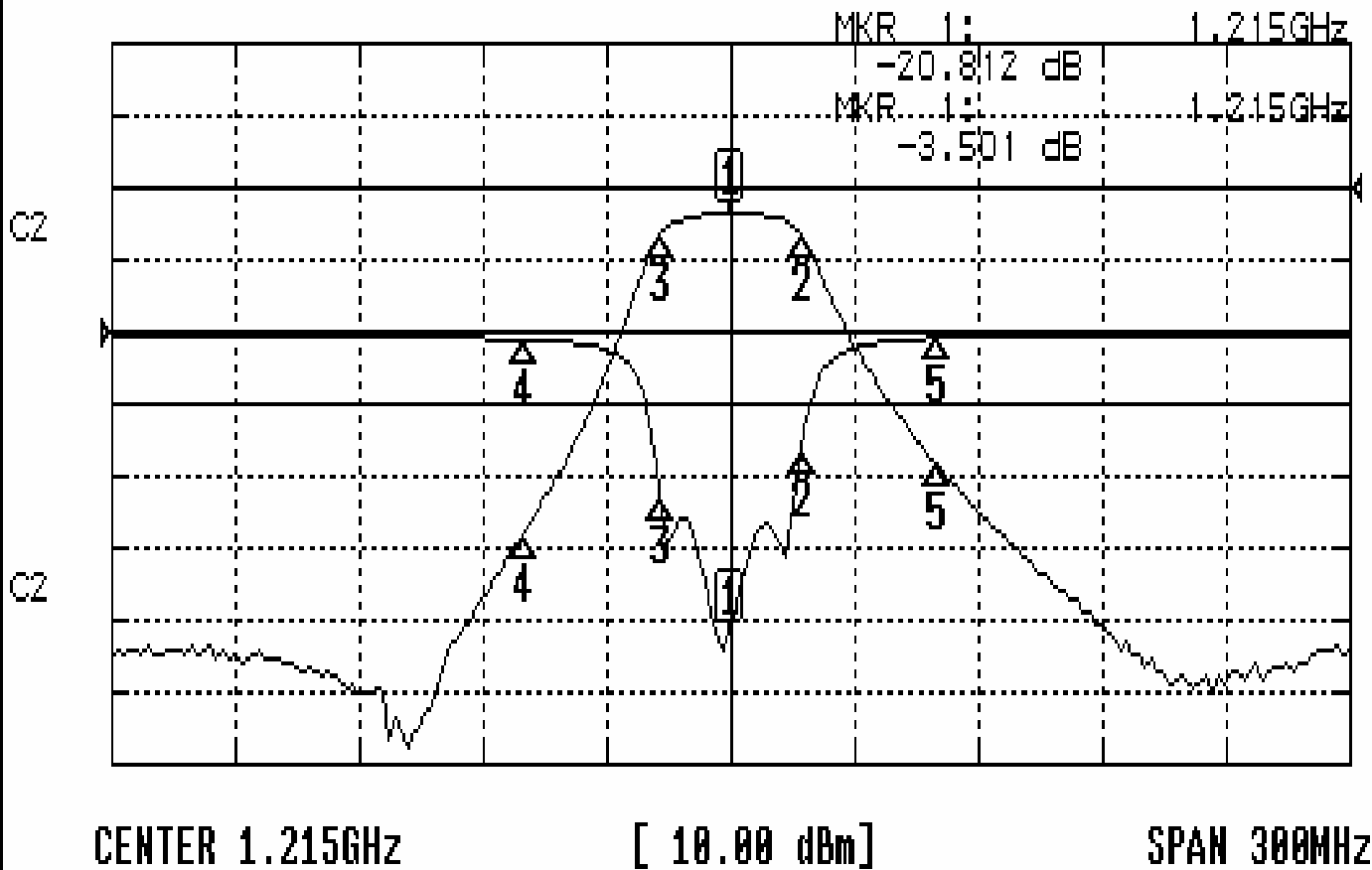
Approval	Supervisor	Designer	Aperture size
C.Y.Chang	C.K.Chang	C.H.Yeh	7H4S(4*5.6)(5.69) 7H046RB4.3 聚 3

TEMWELL CORPORATION

Performance-TF69787B-1215M

201709014CD

CH1 S11 LOG MAG REF 0.000 dB 5.000 dB/
CH2 S21 LOG MAG REF 0.000 dB 10.000 dB/



CH1 MARKER LIST

1:	1.215	000GHz	-20.812	dB
2:	1.232	250GHz	-8.357	dB
3:	1.197	900GHz	-11.279	dB
4:	1.165	000GHz	-0.527	dB
5:	1.265	000GHz	-0.415	dB

CH2 MARKER LIST

1:	1.215	000GHz	-3.501	dB
2:	1.232	250GHz	-6.578	dB
3:	1.197	900GHz	-6.568	dB
4:	1.165	000GHz	-47.930	dB
5:	1.265	000GHz	-38.418	dB