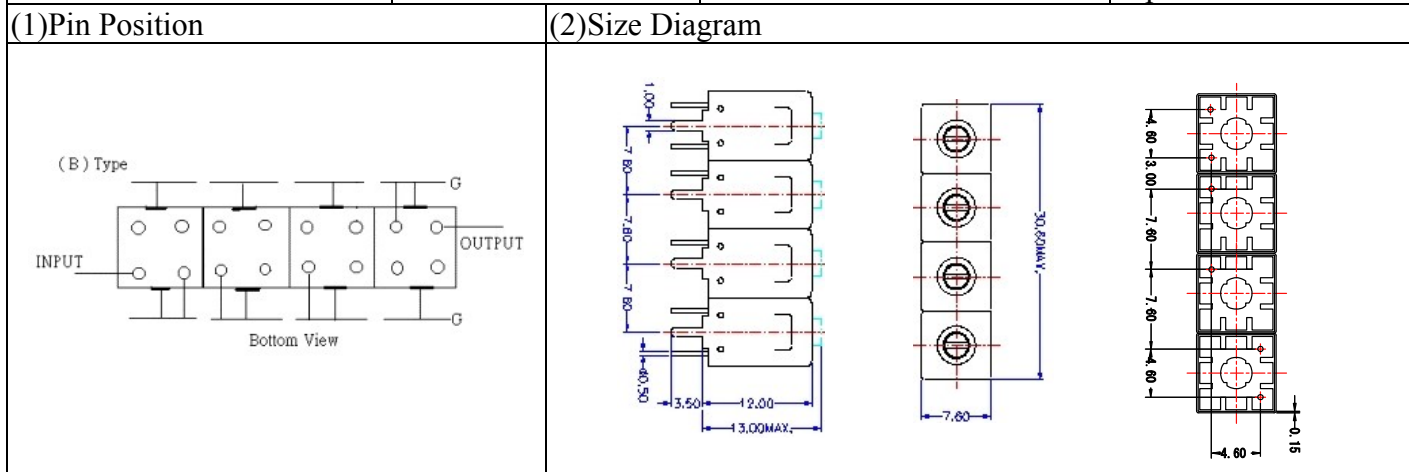


VHF UHF Helical Filter Specification Sheet

Customer Name		Temwell's Part No.	TF69793B-915M
Approval No. /dated	201708086CD	Temwell's Print Name	69793B 915M
Work Instruction No.	201708086CD	Date	Sep.18.2017



(3) Electric Characteristic

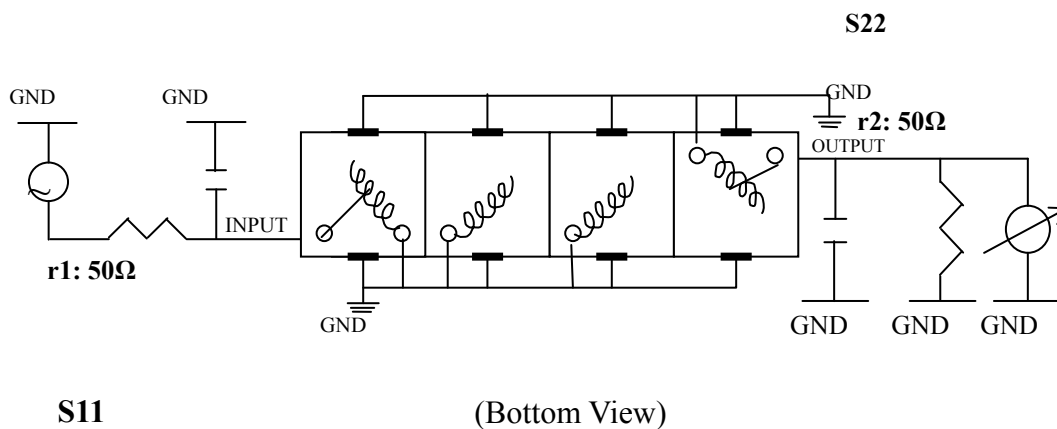
Item	Specify	Performance	
Center Freq.(Fo) +/- 0.5 %	915 MHz	915 MHz	
Insertion Loss	Typ. 3.0 dB	2.16 dB	
-3 dB Bandwidth	Typ. 40 MHz	49.2 MHz	
Sensitivity (Attenuation)	Fo - 100 MHz	Typ. 54 dBc	64 dBc
	Fo +100 MHz	Typ. 41 dBc	46 dBc
	Fo - ()MHz	Typ. dB	dB
	Fo +()MHz	Typ. dB	dB
Return Loss	Min. 12 dB	19.7 dB	
Ripple	< 1 dB	dB	
Impedance	In / Out : 50 Ω	In / Out : 50 Ω	
(4) Torque for Tuning Screw	> 60gf • cm		

(5) Temperature Condition:

Operating Temperature	0°C ~ +60°C
Storage Temperature	-20°C ~ +70°C

(6) Input Power

(7) Measuring Circuit: ※Easy to match Impedance S11/S22 50Ω by parallel with about (--).



Approval	Supervisor	Designer	Aperture size
C.Y.Chang	C.K.Chang	W.W.W.ang	7H4S(4*4.65)(4.68) 7H046RB5.5

TEMWELL CORPORATION

TEMWELL Form10-7H4B Vision D

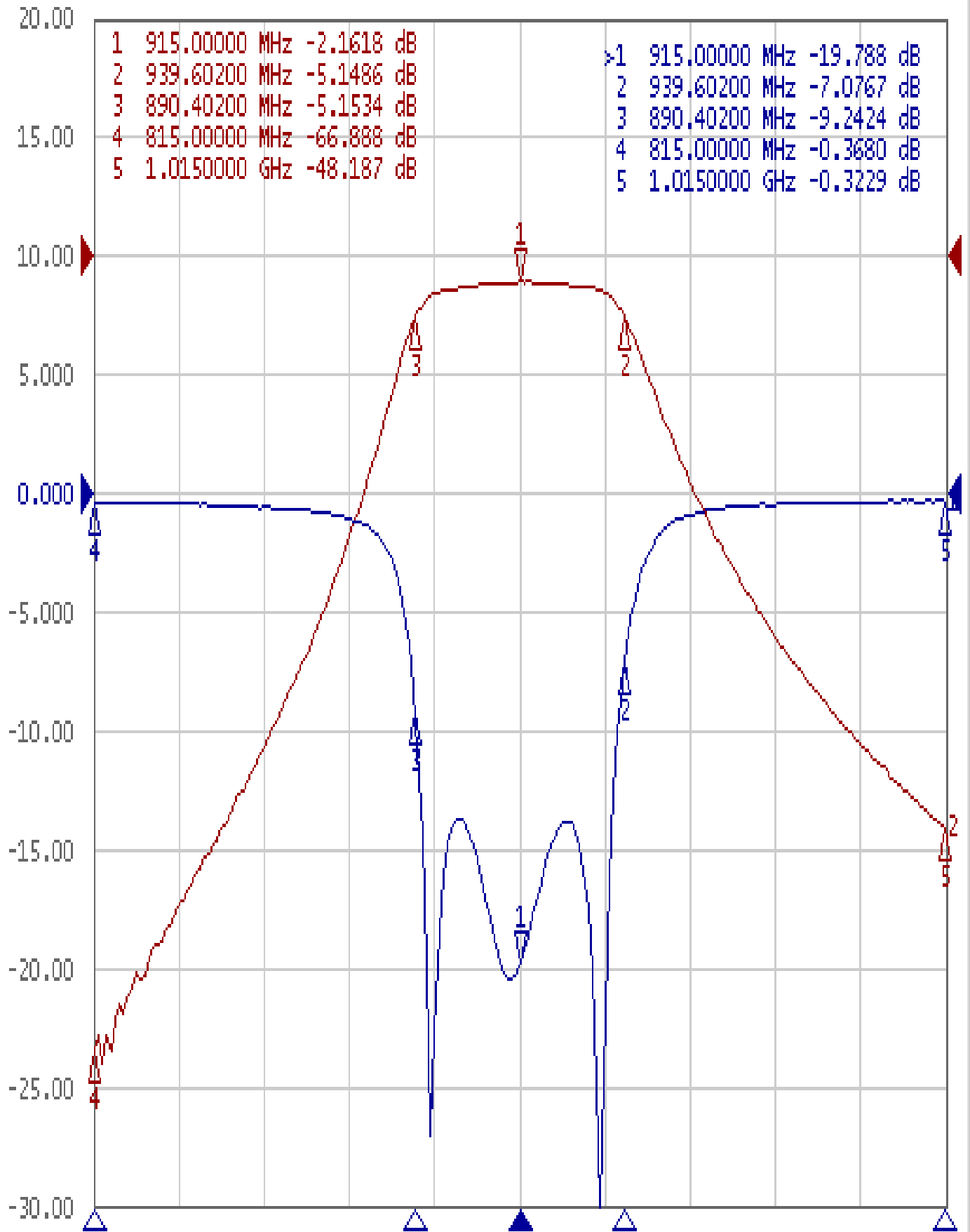
RP (W.W.W)

Performance-TF69793B-915M

201708086CD

Tr1 S11 Log Mag 5.000dB/ Ref 0.000dB [F2]

Tr2 S21 Log Mag 10.00dB/ Ref 0.000dB [F2]



1 Center 915 MHz

IFBW 70 kHz

Span 200 MHz Cor !