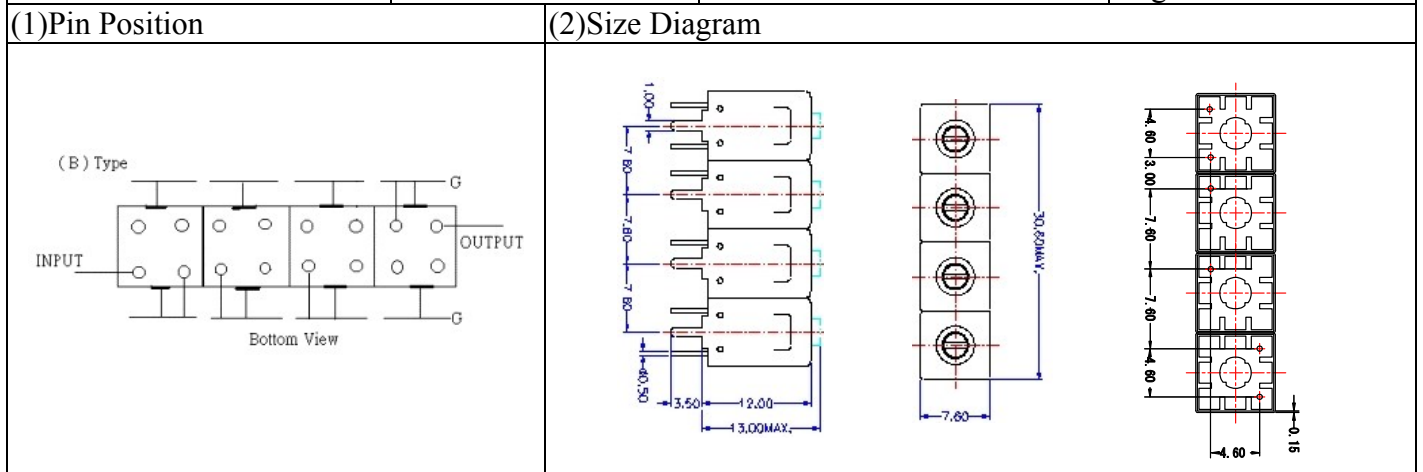
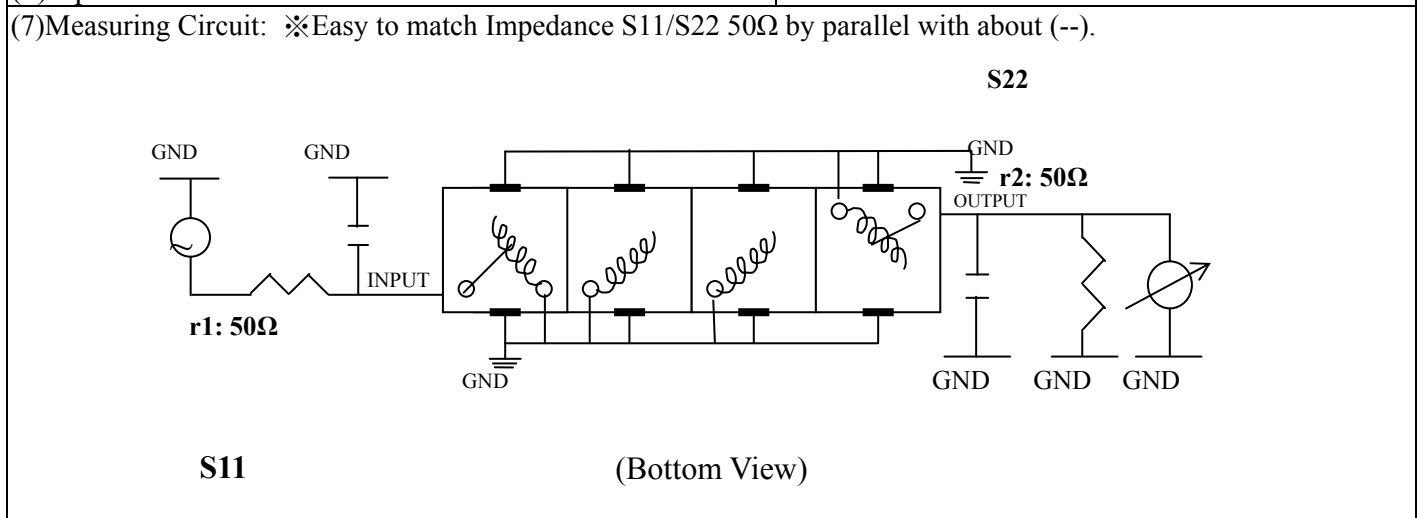


# VHF UHF Helical Filter Specification Sheet

Customer Name		Temwell's Part No.	TF69799B-845M
Approval No. /dated	201708073CD	Temwell's Print Name	69799B 845M
Work Instruction No.	201708073CD	Date	Aug.30.2017



(3) Electric Characteristic			
Item	Specify	Performance	
Center Freq.(Fo) +/- 0.5 %	845 MHz	845 MHz	
Insertion Loss	Typ. 3.0 dB	1.89 dB	
-3 dB Bandwidth	Typ. 52 MHz	60.5 MHz	
Sensitivity (Attenuation)	Fo - 100 MHz	Typ. 52 dBc	62 dBc
	Fo +100 MHz	Typ. 34 dBc	39 dBc
	Fo - ( )MHz	Typ. dB	dB
	Fo +( )MHz	Typ. dB	dB
Return Loss	Min. 12 dB	25.0 dB	
Ripple	< 1 dB	dB	
Impedance	In / Out : 50 Ω	In / Out : 50 Ω	
(4) Torque for Tuning Screw	> 60gf · cm		
(5) Temperature Condition:			
Operating Temperature	0°C ~ +60°C		
Storage Temperature	-20°C ~ +70°C		
(6) Input Power	> 1 Watt		

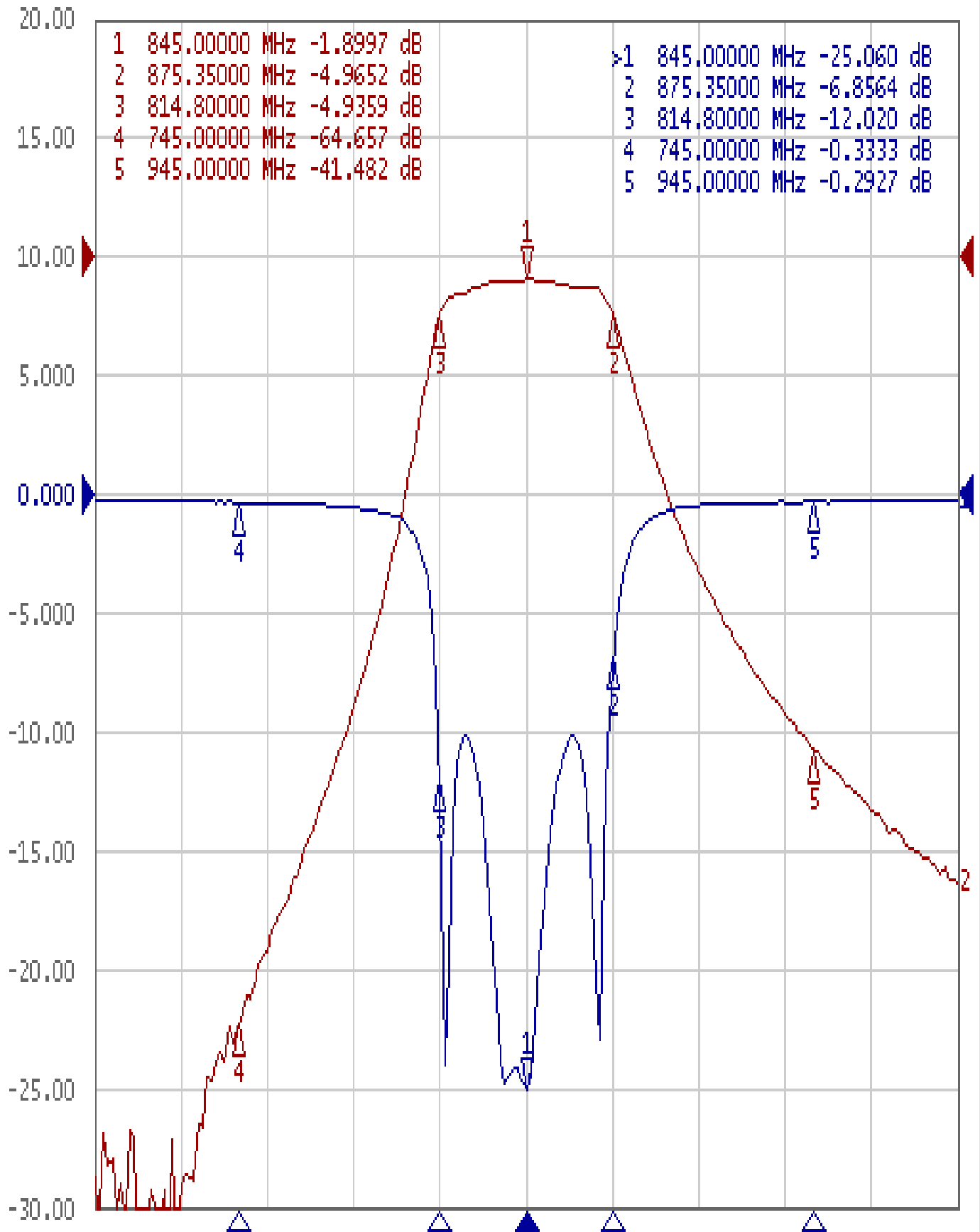


Approval	Supervisor	Designer	Aperture size
C.Y.Chang	C.K.Chang	W.W.Wang	7H4S(4*6.5)(6.53) 7H046RB5.5
TEMWELL CORPORATION			

# Performance-TF69799B-845M

## 201708073CD

Tr1 S11 Log Mag 5.000dB/ Ref 0.000dB [F2]  
Tr2 S21 Log Mag 10.00dB/ Ref 0.000dB [F2]



1 Center 845 MHz

IFBW 70 kHz

Span 300 MHz

Cor !