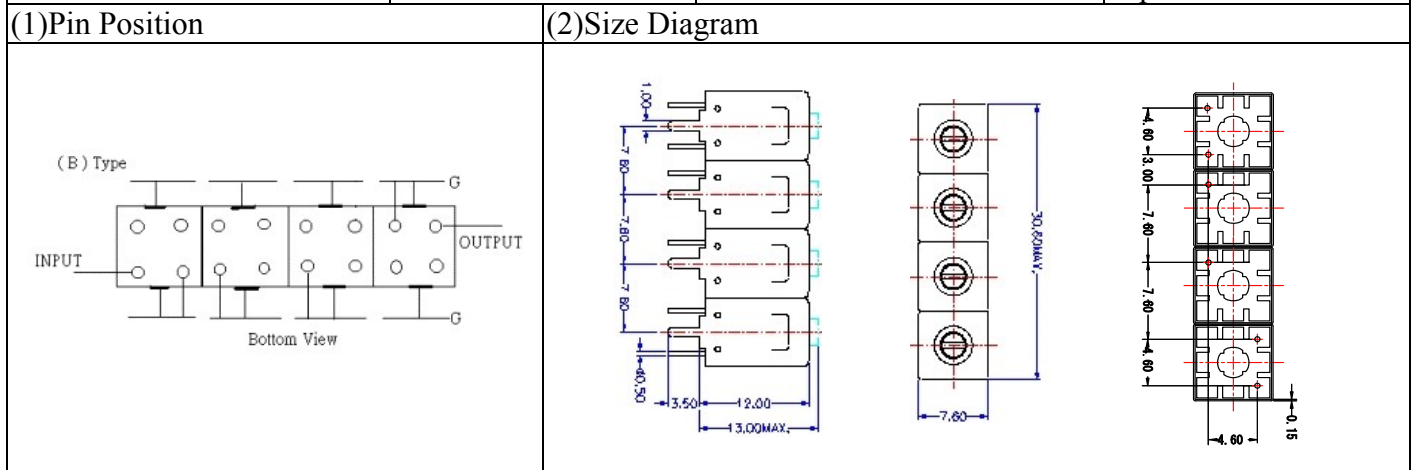


# VHF UHF Helical Filter Specification Sheet

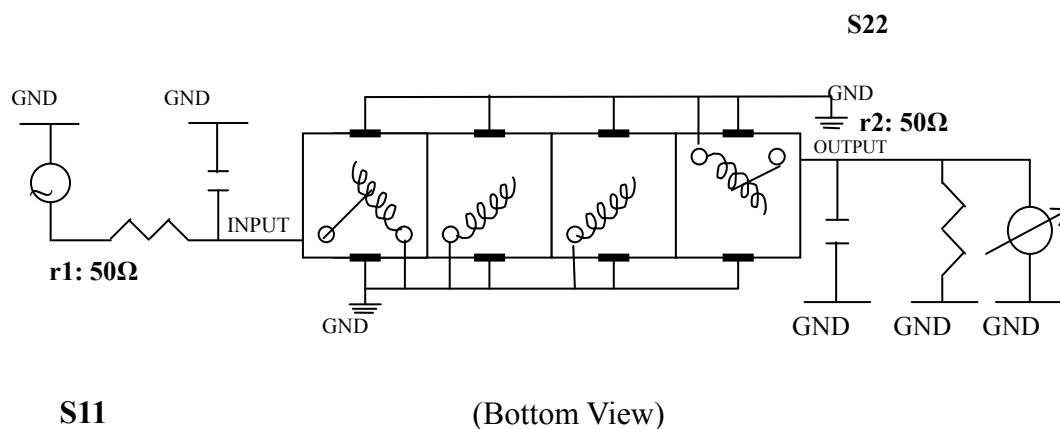
Customer Name		Temwell's Part No.	TF69800B-880M
Approval No. /dated	201708081CD	Temwell's Print Name	69800B 880M
Work Instruction No.	201708081CD	Date	Sep.12.2017



### (3) Electric Characteristic

Item	Specify	Performance
Center Freq.(Fo) +/- 0.5 %	880 MHz	880 MHz
Insertion Loss	Typ. 3.0 dB	2.03 dB
-3 dB Bandwidth	Typ. 50 MHz	58.2 MHz
Sensitivity (Attenuation)	Fo - 150 MHz	Typ. 63 dBc
	Fo +150 MHz	Typ. 47 dBc
	Fo - ( )MHz	Typ. dB
	Fo +( )MHz	Typ. dB
Return Loss	Min. 12 dB	20.3 dB
Ripple	< 1 dB	dB
Impedance	In / Out : 50 Ω	In / Out : 50 Ω
(4) Torque for Tuning Screw	> 60gf · cm	
(5) Temperature Condition:		
Operating Temperature	0°C ~ +60°C	
Storage Temperature	-20°C ~ +70°C	
(6) Input Power	> 1Watt	

(7) Measuring Circuit: ※Easy to match Impedance S11/S22 50Ω by parallel with about (--).

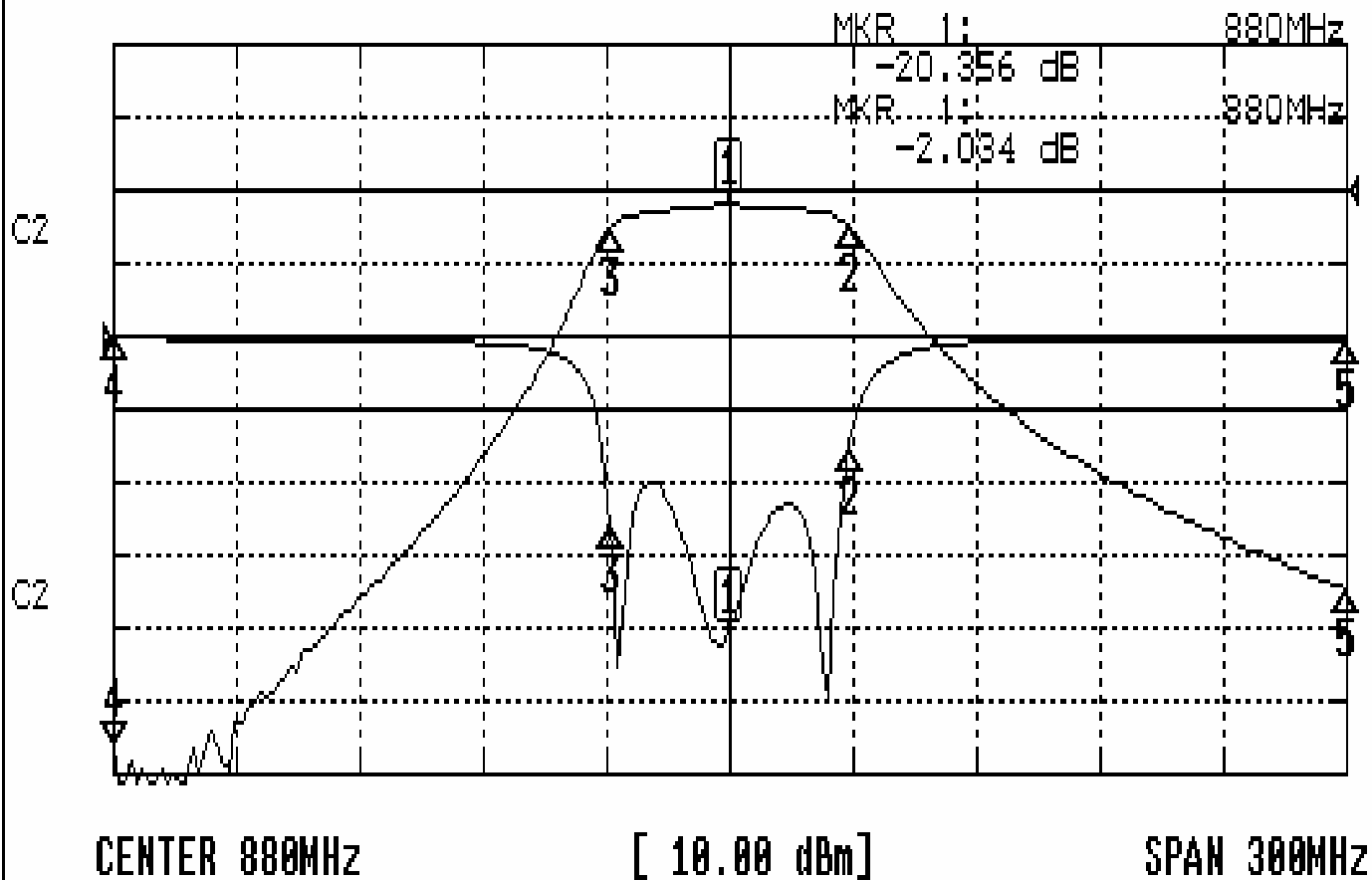


Approval	Supervisor	Designer	Aperture size
C.Y.Chang	C.K.Chang	M.Y.Kang	7H4S(4*6.35)(6.37) 7H046RB5.5
TEMWELL CORPORATION			

# Performance-TF69800B-880M

## 201708081CD

CH1 S11 LOG MAG REF 0.000 dB 5.000 dB/  
CH2 S21 LOG MAG REF 0.000 dB 10.000 dB/



### CH1 MARKER LIST

1:	880.000MHz	-20.362 dB
2:	909.250MHz	-7.756 dB
3:	851.000MHz	-13.093 dB
4:	730.000MHz	-0.130 dB
5:	1.030 000GHz	-0.180 dB

### CH2 MARKER LIST

1:	880.000MHz	-2.034 dB
2:	909.250MHz	-15.061 dB
3:	851.000MHz	-15.063 dB
4:	730.000MHz	-75.871 dB
5:	1.030 000GHz	-54.672 dB