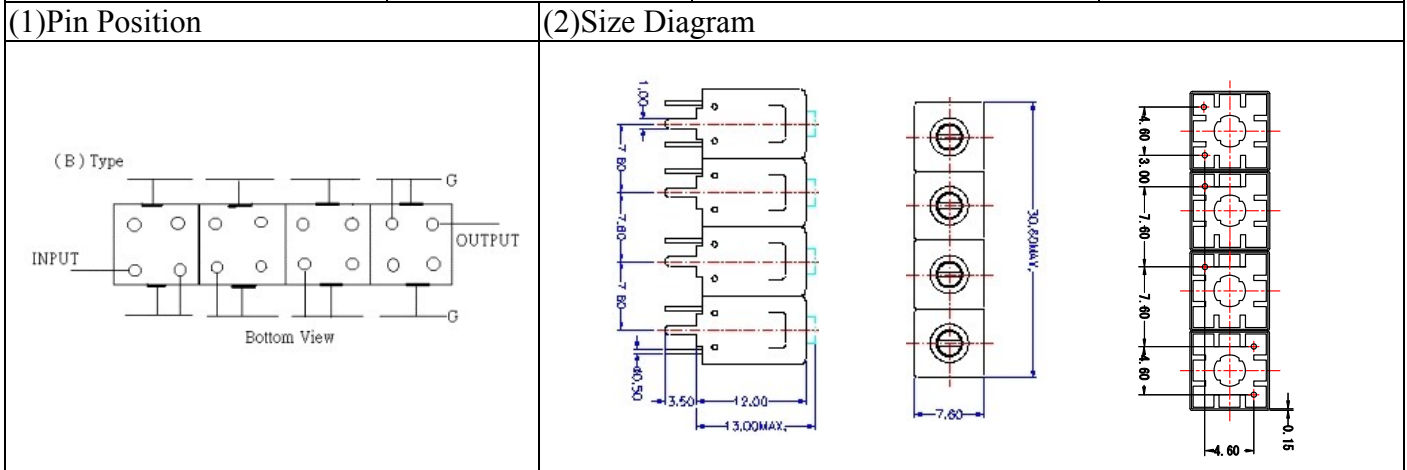
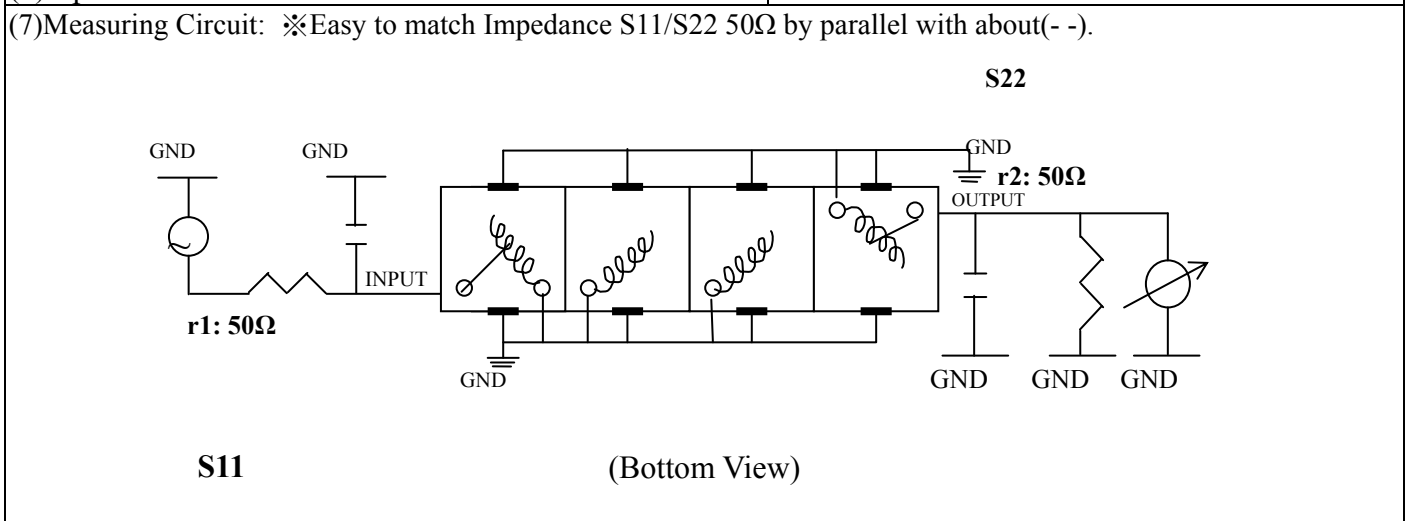


VHF UHF Helical Filter Specification Sheet

Customer Name		Temwell's Part No.	TF69802B-1275M
Approval No. /dated	201709019CD	Temwell's Print Name	69802B 1275M
Work Instruction No.	201709019CD	Date	Nov.15.2017



(3) Electric Characteristic			
Item		Specify	Performance
Center Freq.(Fo) +/- 0.5 %		1275 MHz	1275 MHz
Insertion Loss		Typ. 3.0 dB	2.18 dB
-3 dB Bandwidth		Typ. 53 MHz	61.6 MHz
Sensitivity (Attenuation)	Fo - 100 MHz	Typ. 53 dBc	58 dBc
	Fo +100 MHz	Typ. 34 dBc	39 dBc
	Fo - ()MHz	Typ. dBc	dBc
	Fo +()MHz	Typ. dBc	dBc
Return Loss		Min. 12 dB	25.6 dB
Ripple		< 1 dB	dB
Impedance		In / Out : 50 Ω	In / Out : 50 Ω
(4) Torque for Tuning Screw		> 60gf · cm	
(5) Temperature Condition:			
Operating Temperature		0°C ~ +60°C	
Storage Temperature		-20°C ~ +70°C	
(6) Input Power		> 1Watt	



Approval	Supervisor	Designer	Aperture size
C.Y.Chang	C.K.Chang	C.S.Chang	7H4S(4*8.0)(8.02) 7H046RB4
TEMWELL CORPORATION			

Performance-TF69802B-1275M

201709019CD

Tr1 S11 Log Mag 5.000dB/ Ref 0.000dB [F2]
Tr2 S21 Log Mag 10.00dB/ Ref 0.000dB [F2]

