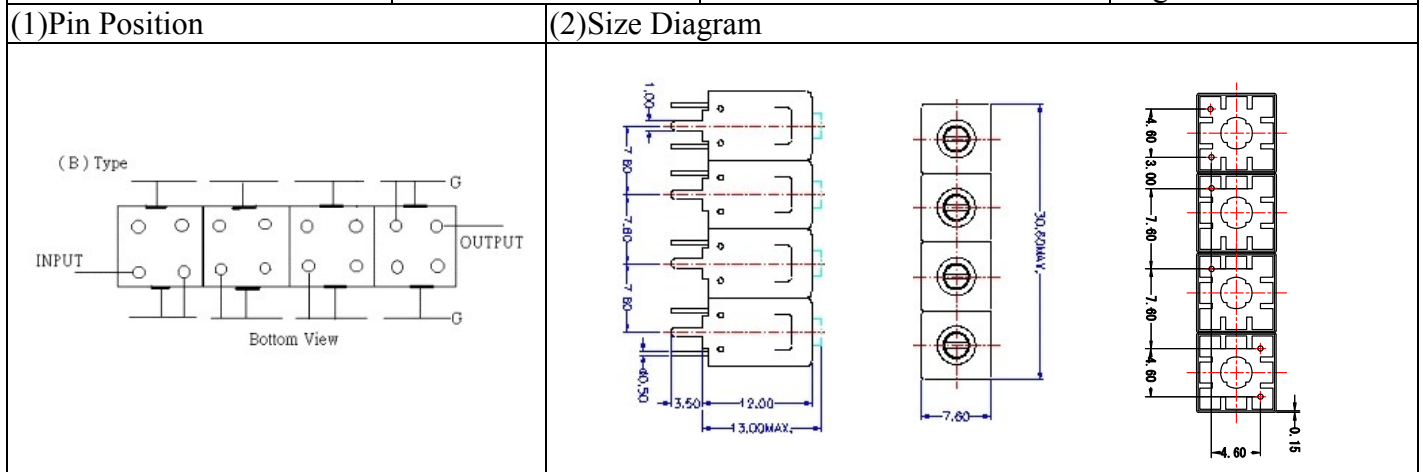
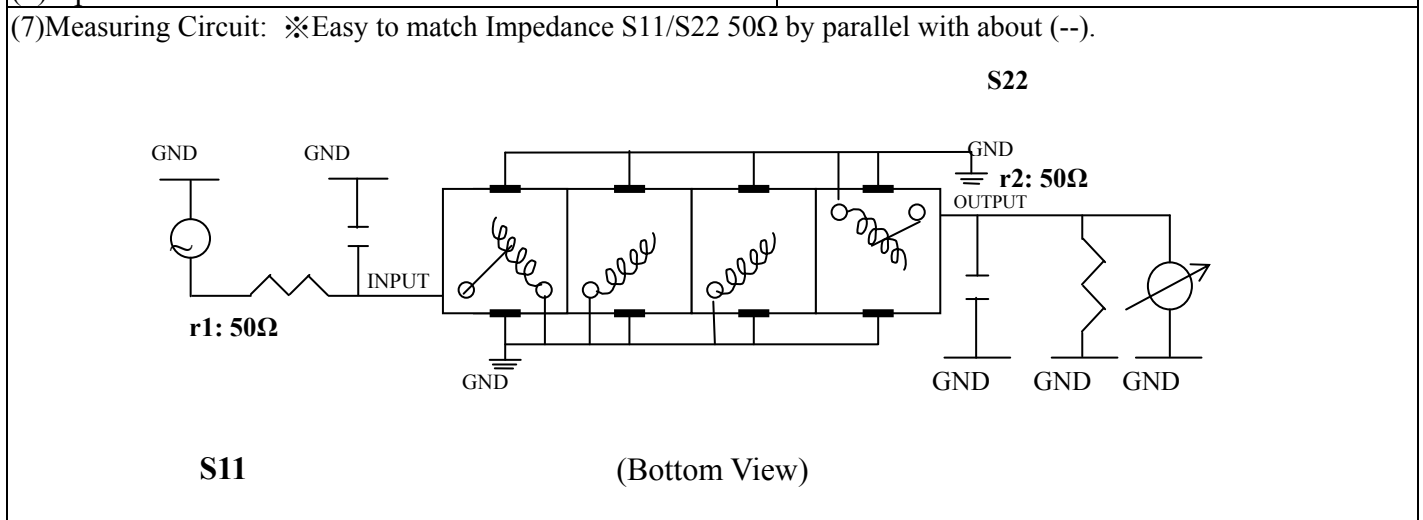


VHF UHF Helical Filter Specification Sheet

Customer Name		Temwell's Part No.	TF69803B-725M
Approval No. /dated	201707053CD	Temwell's Print Name	69803B 725M
Work Instruction No.	201707053CD	Date	Aug.08.2017



(3) Electric Characteristic			
Item		Specify	Performance
Center Freq.(Fo) +/- 0.5 %		725 MHz	725 MHz
Insertion Loss		Typ. 2.5 dB	1.50 dB
-3 dB Bandwidth		Typ. 60 MHz	65.8 MHz
Sensitivity (Attenuation)	Fo - 100 MHz	Typ. 52 dBc	57 dBc
	Fo +100 MHz	Typ. 28 dBc	33 dBc
	Fo - ()MHz	Typ. dBc	dBc
	Fo +()MHz	Typ. dBc	dBc
Return Loss		Min. 12 dB	25.0 dB
Ripple		< 1 dB	dB
Impedance		In / Out : 50 Ω	In / Out : 50 Ω
(4) Torque for Tuning Screw		> 60gf • cm	
(5) Temperature Condition:			
Operating Temperature		0°C ~ +60°C	
Storage Temperature		-20°C ~ +70°C	
(6) Input Power		> 1 Watt	



Approval	Supervisor	Designer	Aperture size
C.Y.Chang	C.K.Chang	W.W.Wang	7H4S(4*7.35)(7.39) 7H046RB5.5

TEMWELL CORPORATION

TEMWELL Form10-7H4B Vision D

RP (W.W.W)

Performance-TF69803B-725M

201707053CD

Tr1 S11 Log Mag 5.000dB/ Ref 0.000dB [F2]
Tr2 S21 Log Mag 10.000dB/ Ref 0.000dB [F2]

