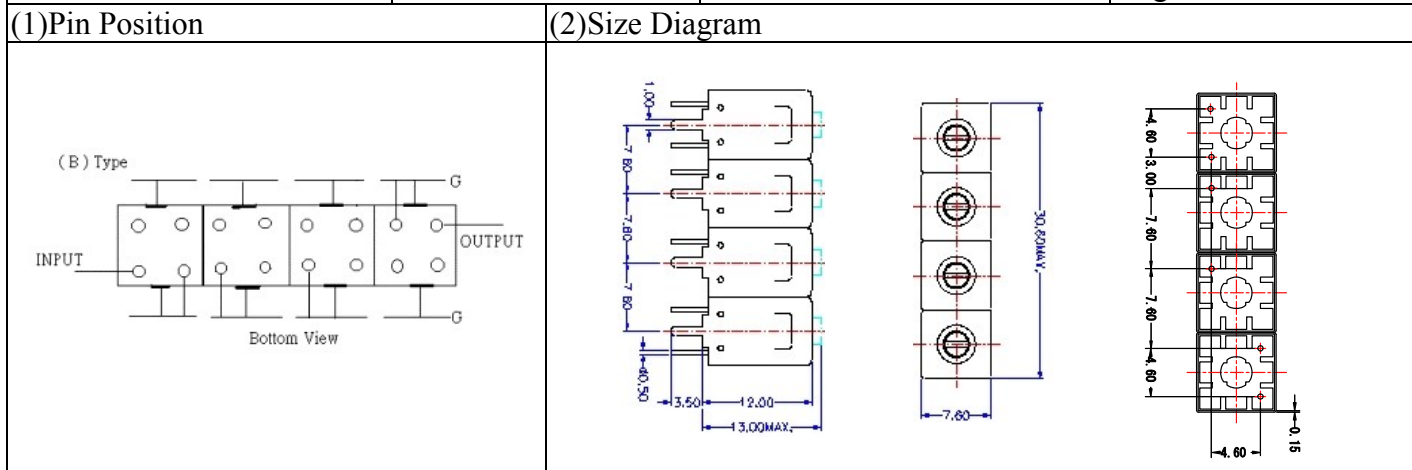


VHF UHF Helical Filter Specification Sheet

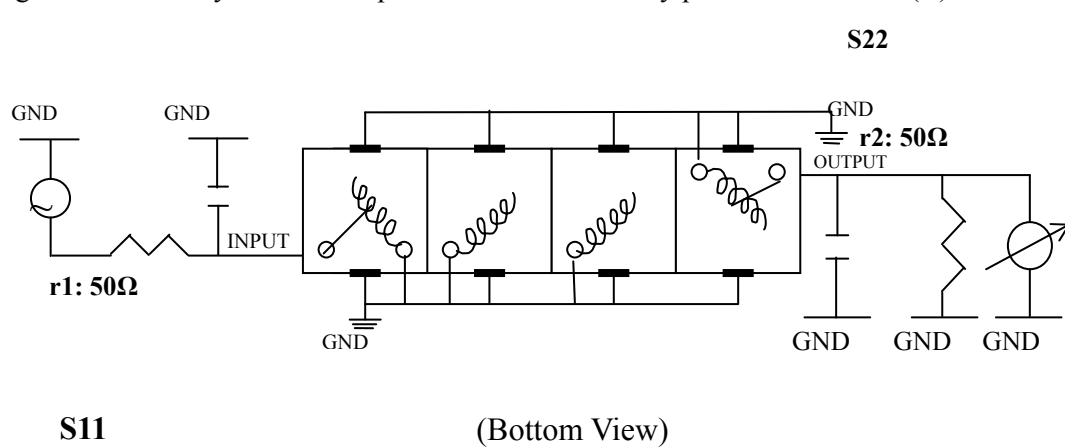
Customer Name		Temwell's Part No.	TF69804B-815M
Approval No. /dated	201708068CD	Temwell's Print Name	69804B 815M
Work Instruction No.	201708068CD	Date	Aug.31.2017



(3) Electric Characteristic

Item	Specify	Performance
Center Freq.(Fo) +/- 0.5 %	815 MHz	815 MHz
Insertion Loss	Typ. 2.5 dB	1.51 dB
-3 dB Bandwidth	Typ. 60 MHz	65.4 MHz
Sensitivity (Attenuation)	Fo - 150 MHz	Typ. 62 dBc
	Fo +150 MHz	Typ. 46 dBc
	Fo - ()MHz	Typ. dB
	Fo +()MHz	Typ. dB
Return Loss	Min. 12 dB	31.3 dB
Ripple	< 1 dB	dB
Impedance	In / Out : 50 Ω	In / Out : 50 Ω
(4) Torque for Tuning Screw	> 60gf • cm	
(5) Temperature Condition:		
Operating Temperature	0°C ~ +60°C	
Storage Temperature	-20°C ~ +70°C	
(6) Input Power	> 1 Watt	

(7) Measuring Circuit: ※Easy to match Impedance S11/S22 50Ω by parallel with about (--).



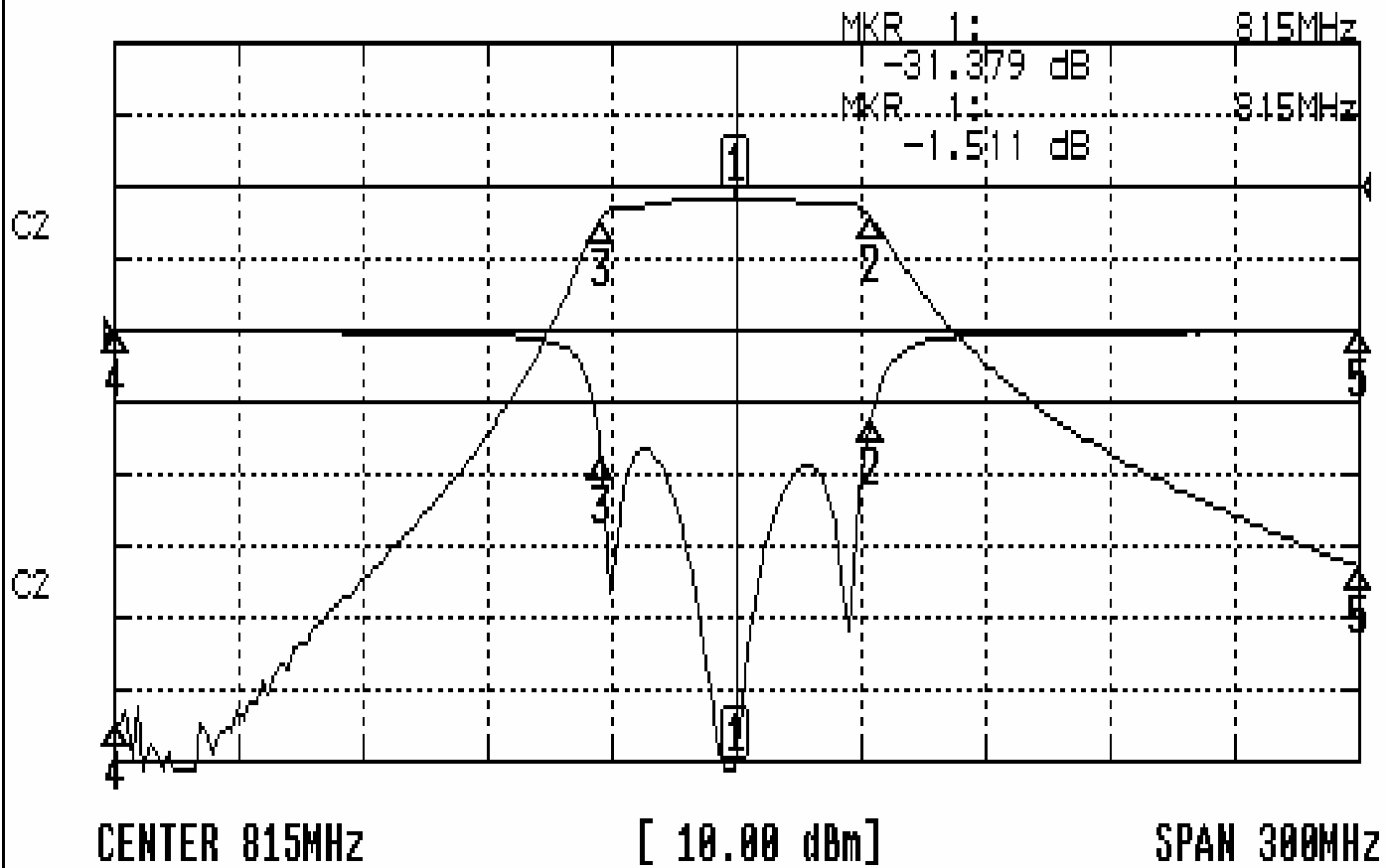
Approval	Supervisor	Designer	Aperture size
C.Y.Chang	C.K.Chang	C.H.Yeh	7H4S(4*5.6)(5.68) 7H046RB5.5

TEMWELL CORPORATION

Performance-TF69804B-815M

201708068CD

CH1 S11 LOG MAG REF 0.000 dB 5.000 dB/
CH2 S21 LOG MAG REF 0.000 dB 10.000 dB/



CH1 MARKER LIST

1:	815.000MHz	-31.380	dB
2:	847.800MHz	-5.995	dB
3:	782.400MHz	-8.723	dB
4:	665.000MHz	-0.088	dB
5:	965.000MHz	-0.141	dB
6:			
7:			
8:			
9:			
10:			

CH2 MARKER LIST

1:	815.000MHz	-1.511	dB
2:	847.800MHz	-4.563	dB
3:	782.400MHz	-4.584	dB
4:	665.000MHz	-73.751	dB
5:	965.000MHz	-52.893	dB
6:			
7:			
8:			
9:			
10:			