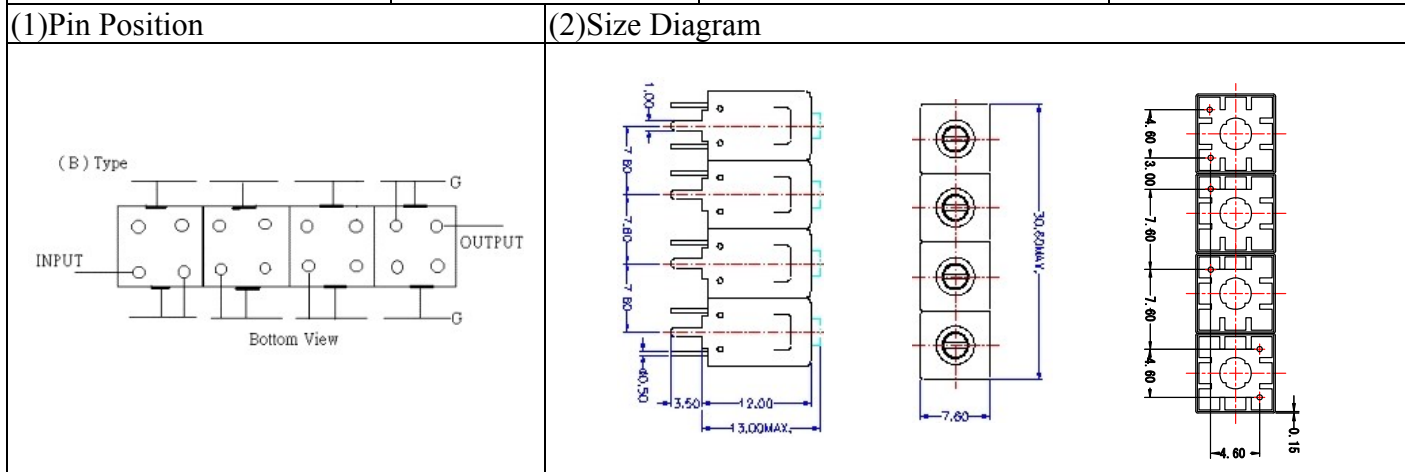


VHF UHF Helical Filter Specification Sheet

Customer Name		Temwell's Part No.	TF69808B-988M
Approval No. /dated	201708103CD	Temwell's Print Name	69808B 988M
Work Instruction No.	201708103CD	Date	Nov.8.2017



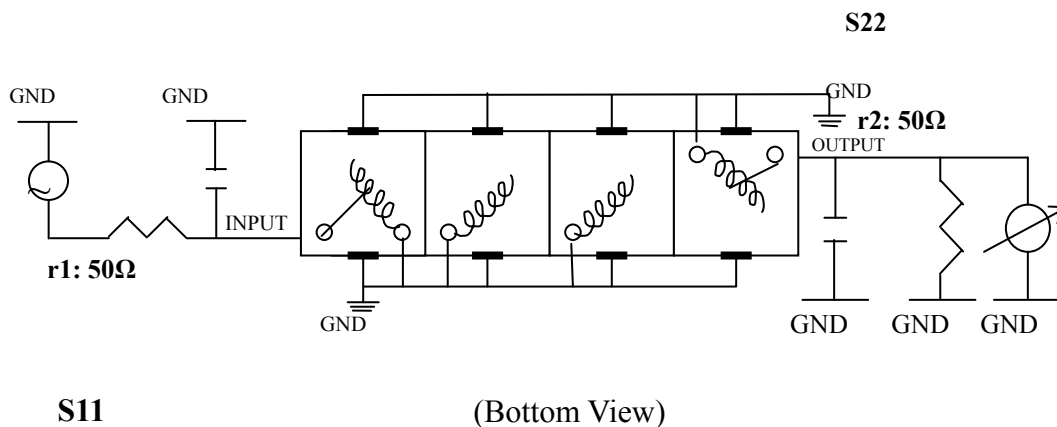
(3) Electric Characteristic

Item	Specify	Performance	
Center Freq.(Fo) +/- 0.5 %	988 MHz	988 MHz	
Insertion Loss	Typ. 2.5 dB	1.88 dB	
-3 dB Bandwidth	Typ. 60 MHz	70.4 MHz	
Sensitivity (Attenuation)	Fo - 100 MHz	Typ. 48 dBc	51 dBc
	Fo +100 MHz	Typ. 29 dBc	32 dBc
	Fo - ()MHz	Typ. dBc	dBc
	Fo +()MHz	Typ. dBc	dBc
Return Loss	Min. 12 dB	30.4 dB	
Ripple	< 1 dB	dB	
Impedance	In / Out : 50 Ω	In / Out : 50 Ω	
(4) Torque for Tuning Screw	> 60gf • cm		

(5) Temperature Condition:

Operating Temperature	0°C ~ +60°C
Storage Temperature	-20°C ~ +70°C
(6) Input Power	> 1Watt

(7) Measuring Circuit: ※Easy to match Impedance S11/S22 50Ω by parallel with about(- -).



Approval	Supervisor	Designer	Aperture size
C.Y.Chang	C.K.Chang	C.S.Chang	7H4S(4*6.5)(6.56) 7H046RB5.5

TEMWELL CORPORATION

Performance-TF69808B-988M

201708103CD

Tr1 S11 Log Mag 5.000dB/ Ref 0.000dB [F2]
Tr2 S21 Log Mag 10.00dB/ Ref 0.000dB [F2]

