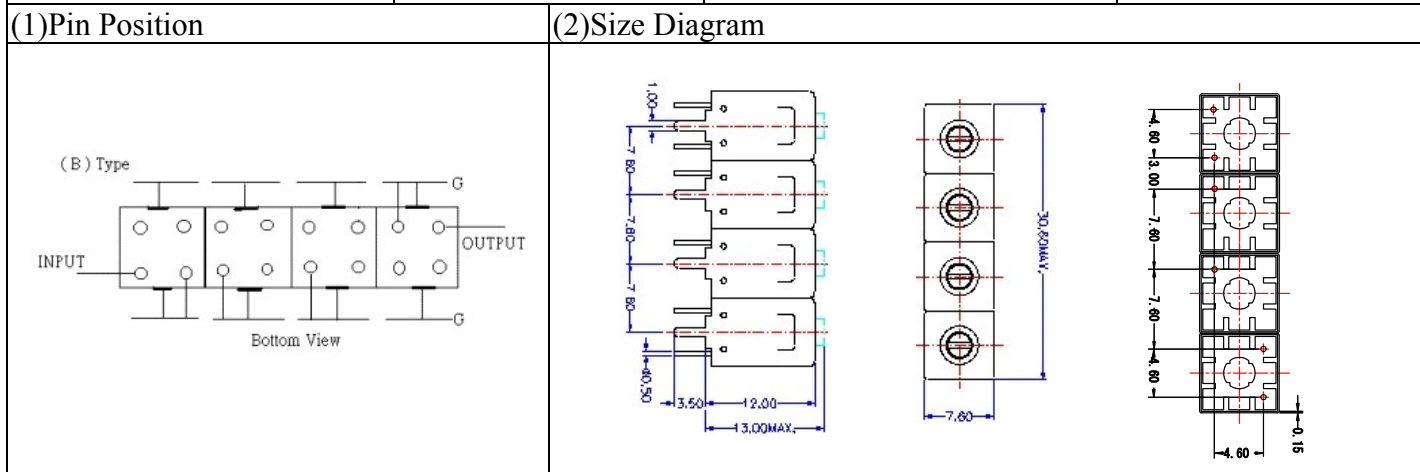


VHF UHF Helical Filter Specification Sheet

Customer Name		Temwell's Part No.	TF69811B-485M
Approval No. /dated	201703044CD	Temwell's Print Name	69811B 485M
Work Instruction No.	201703044CD	Date	Mar.15.2017



(3) Electric Charasteric

Item	Specify	Performance	
Center Freq.(Fo) +/- 0.5 %	485 MHz	485 MHz	
Insertion Loss	Typ. 2.0 dB	1.67 dB	
-3 dB Bandwidth	Typ. 40 MHz	44.6 MHz	
Sensitivity (Attenuation)	Fo - 100 MHz	Typ. 65 dBc	71 dBc
	Fo +100 MHz	Typ. 45 dBc	49 dBc
	Fo - ()MHz	Typ. dBc	dBc
	Fo +()MHz	Typ. dBc	dBc
Return Loss	Min. 12 dB	19.7 dB	
Ripple	< 1 dB	dB	
Impedance	In / Out : 50 Ω	In / Out : 50 Ω	

(4) Torque for Tuning Screw > 60gf • cm

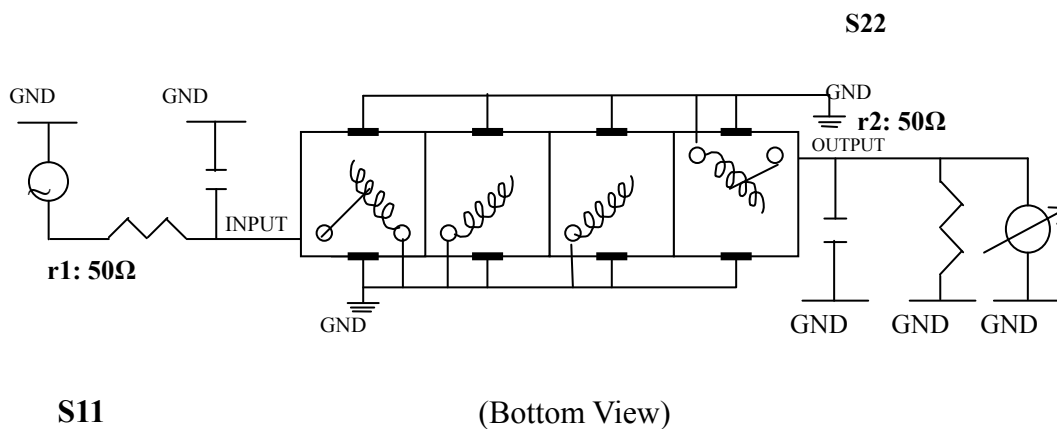
(5) Temperature Condition:

Operating Temperature 0°C ~ +60°C

Storage Temperature -20°C ~ +70°C

(6) Input Power > 1Watt

(7) Measuring Circuit: ※Easy to match Impedance S11/S22 50Ω by parallel with about(- -).



Approval	Supervisor	Designer	Aperture size
C.Y.Chang	C.K.Chang	C.S.Chang	7H4S(4*7.5)(7.55) 7H046LB5

TEMWELL CORPORATION

TEMWELL Form10-7H4B Vision D

RP (C.S.C)

Performance-TF69811B-485M

201703044CD

Tr1 S11 Log Mag 5.000dB/ Ref 0.000dB [F2]
Tr2 S21 Log Mag 10.00dB/ Ref 0.000dB [F2]

