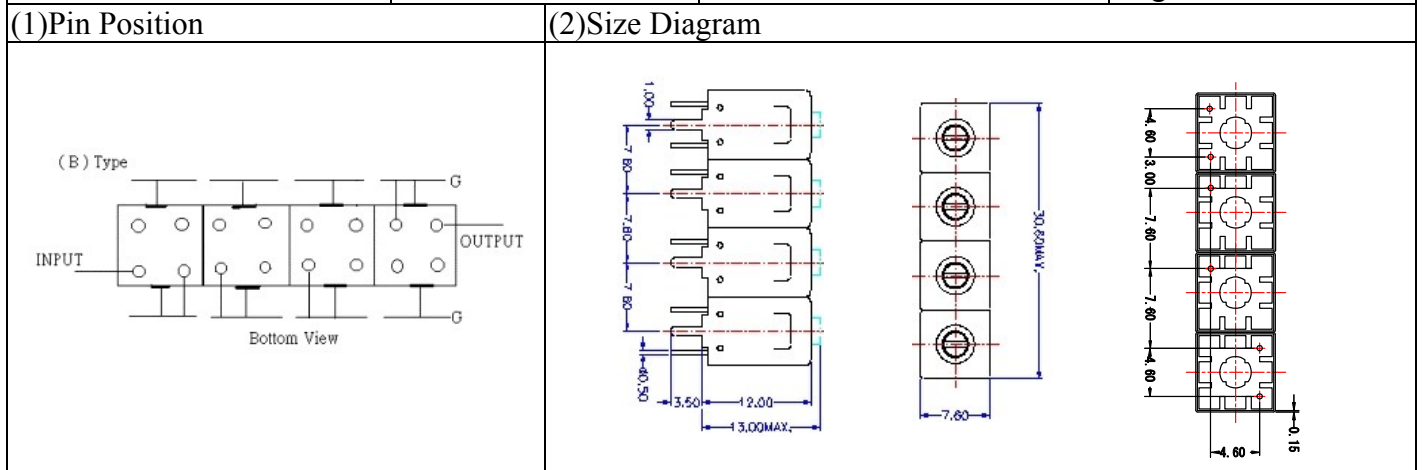
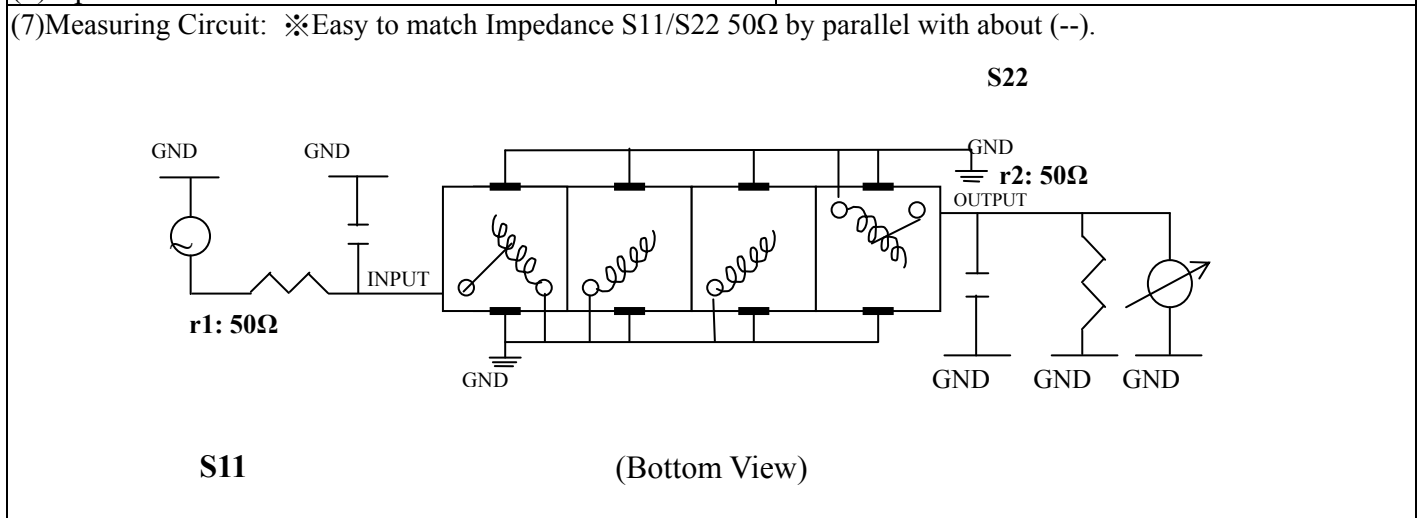


# VHF UHF Helical Filter Specification Sheet

Customer Name		Temwell's Part No.	TF69828B-630M
Approval No. /dated	201707039CD	Temwell's Print Name	69828B 630M
Work Instruction No.	201707039CD	Date	Aug.02.2017



(3) Electric Characteristic			
Item		Specify	Performance
Center Freq.(Fo) +/- 0.5 %		630 MHz	630 MHz
Insertion Loss		Typ. 2.0 dB	1.36 dB
-3 dB Bandwidth		Typ. 50 MHz	55.6 MHz
Sensitivity (Attenuation)	Fo - 150 MHz	Typ. 78 dBc	88 dBc
	Fo +150 MHz	Typ. 49 dBc	54 dBc
	Fo - ( )MHz	Typ. dB	dB
	Fo +( )MHz	Typ. dB	dB
Return Loss		Min. 12 dB	23.1 dB
Ripple		< 1 dB	dB
Impedance		In / Out : 50 Ω	In / Out : 50 Ω
(4) Torque for Tuning Screw		> 60gf · cm	
(5) Temperature Condition:			
Operating Temperature		0°C ~ +60°C	
Storage Temperature		-20°C ~ +70°C	
(6) Input Power		> 1Watt	



Approval	Supervisor	Designer	Aperture size
C.Y.Chang	C.K.Chang	C.H.Yeh	7H4S(4*5.5)(5.57) 7H046LB5.5(J2)

TEMWELL CORPORATION

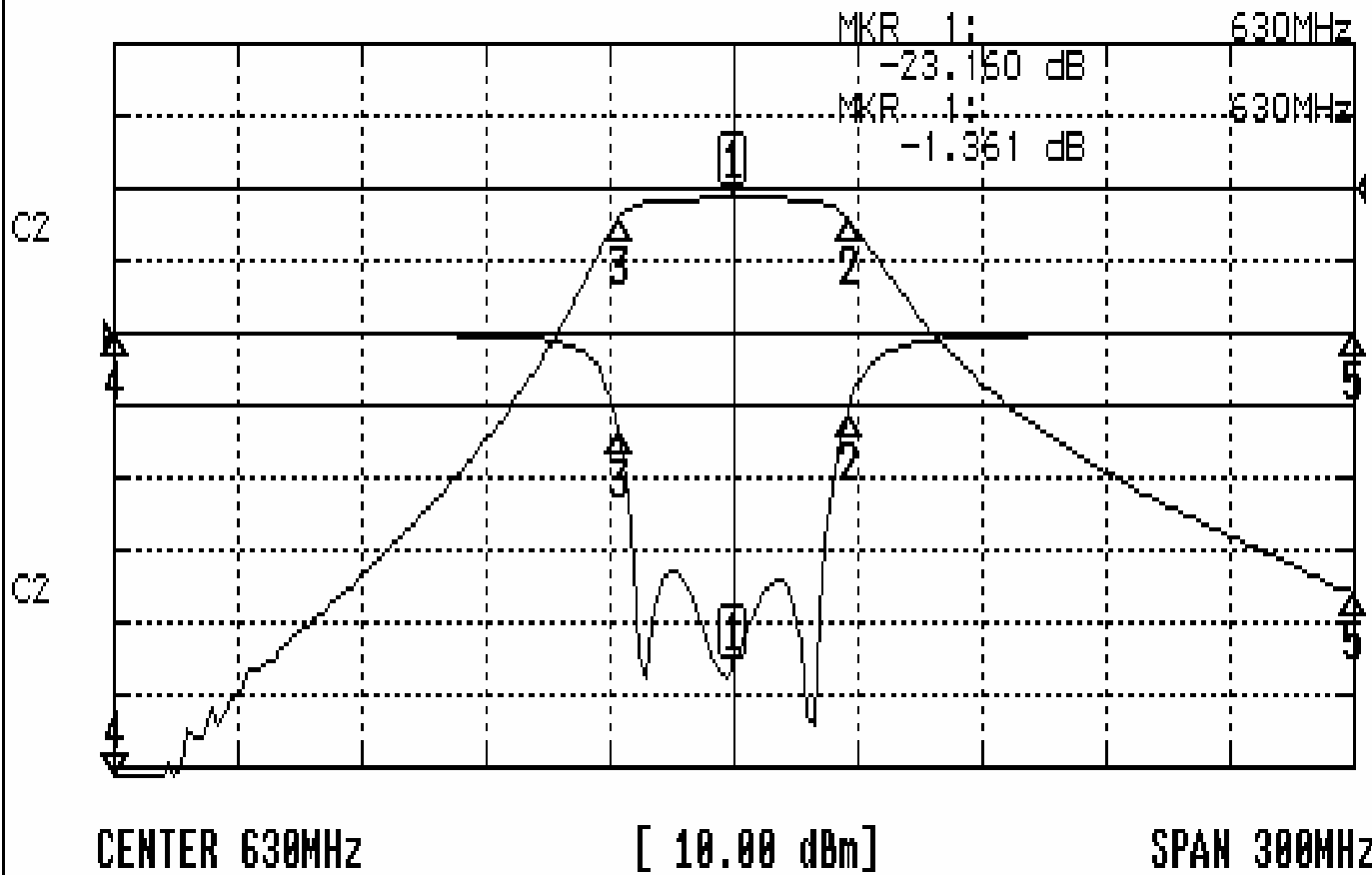
TEMWELL Form10-7H4B Vision D

RP (C.H.Y)

# Performance-TF69828B-630M

## 201707039CD

CH1 S11 LOG MAG REF 0.000 dB 5.000 dB/  
CH2 S21 LOG MAG REF 0.000 dB 10.000 dB/



### CH1 MARKER LIST

Marker	Frequency (MHz)	Value (dB)
1:	630.000	-23.160
2:	657.820	-5.427
3:	602.140	-6.617
4:	480.000	-0.030
5:	780.000	0.010

### CH2 MARKER LIST

Marker	Frequency (MHz)	Value (dB)
1:	630.000	-1.361
2:	657.820	-4.309
3:	602.140	-4.395
4:	480.000	-90.204
5:	780.000	-56.017