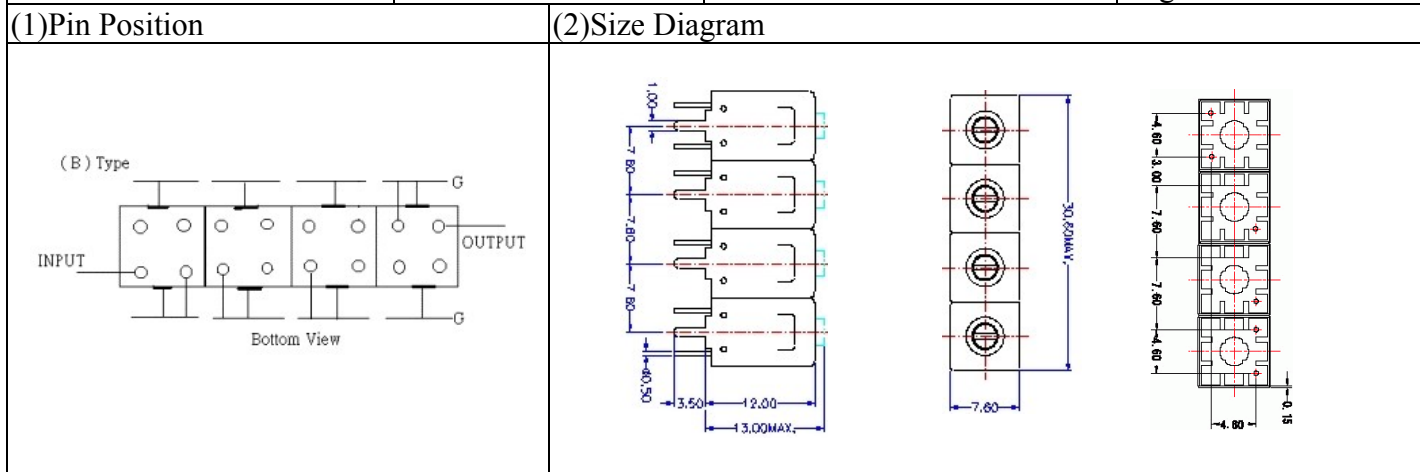


VHF UHF Helical Filter Specification Sheet

Customer Name		Temwell's Part No.	TF69838B-675M
Approval No. /dated	201707043CD	Temwell's Print name	69838B 675M
Work Instruction No.	201707043CD	Date	Aug.01.2017



(3) Electric Characteristic

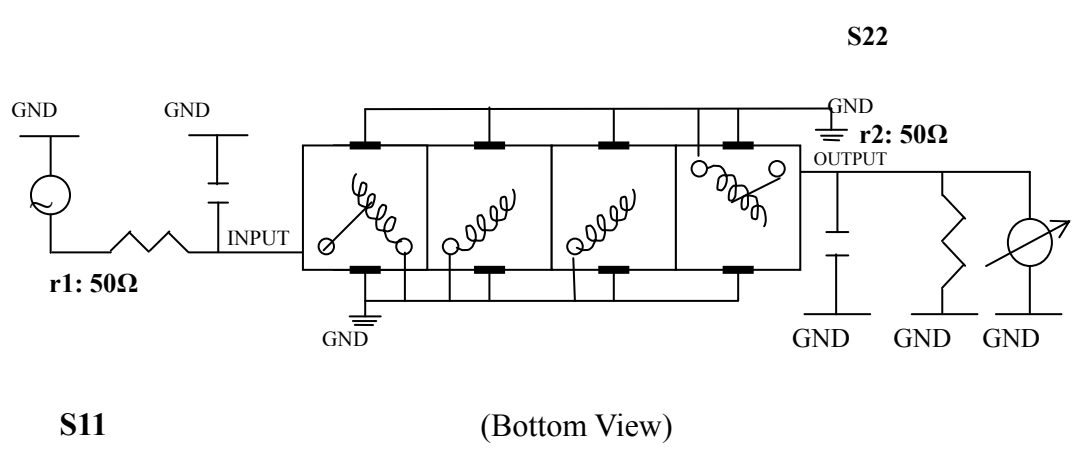
Item	Specify	Performance
Center Freq.(Fo) +/- 0.5 %	675 MHz	675 MHz
Insertion Loss	Typ. 6.0 dB	5.03 dB
-3 dB Bandwidth	Typ. 10 MHz	14.4 MHz
Sensitivity (Attenuation)	Fo - 50 MHz	Typ. 63 dBc
	Fo + 50 MHz	Typ. 52 dBc
	Fo - ()MHz	Typ. dBc
	Fo + ()MHz	Typ. dBc
Return Loss	Min. 12 dB	22.5 dB
Ripple	< 1 dB	dB
Impedance	In / Out : 50 Ω	In / Out : 50 Ω
(4) Torque for Tuning Screw	> 60gf • cm	

(5) Temperature Condition:

Operating Temperature	0°C ~ +60°C
Storage Temperature	-20°C ~ +70°C

(6) Input Power

(7) Measuring Circuit: ※Easy to match Impedance S11/S22 50Ω/ by parallel with about(--)



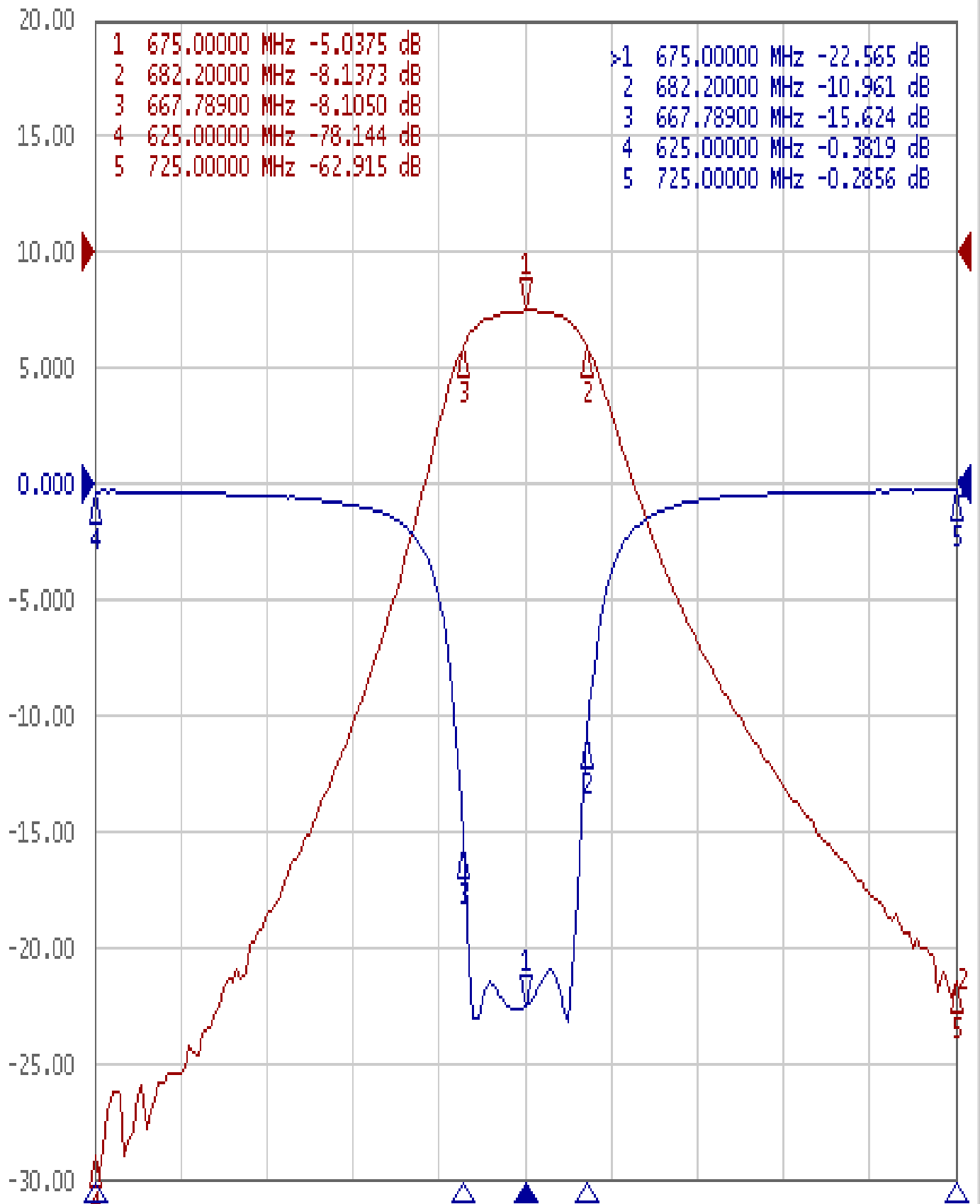
Approval	Supervisor	Designer	Aperture size
C.Y.Chang	C.K.Chang	W.W.Wang	7H4S(4*5.35)(5.39) 7H046RB4

TEMWELL CORPORATION

Performance-TF69838B-675M

201707043CD

Tr1 S11 Log Mag 5.000dB/ Ref 0.000dB [F2]
Tr2 S21 Log Mag 10.00dB/ Ref 0.000dB [F2]



1 Center 675 MHz

IFBW 70 kHz

Span 100 MHz

Cor !