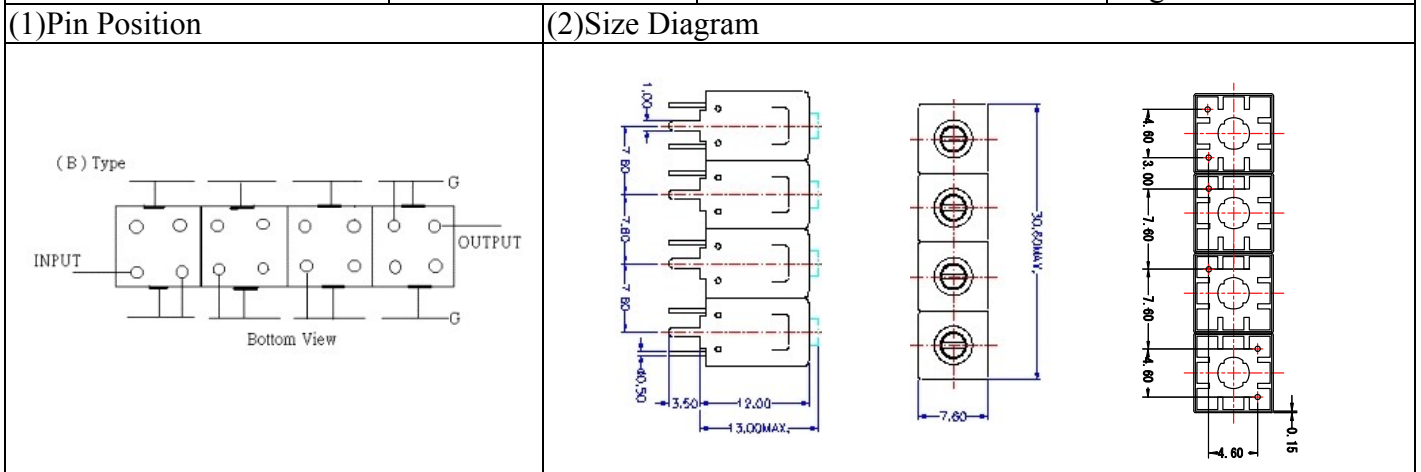


# VHF UHF Helical Filter Specification Sheet

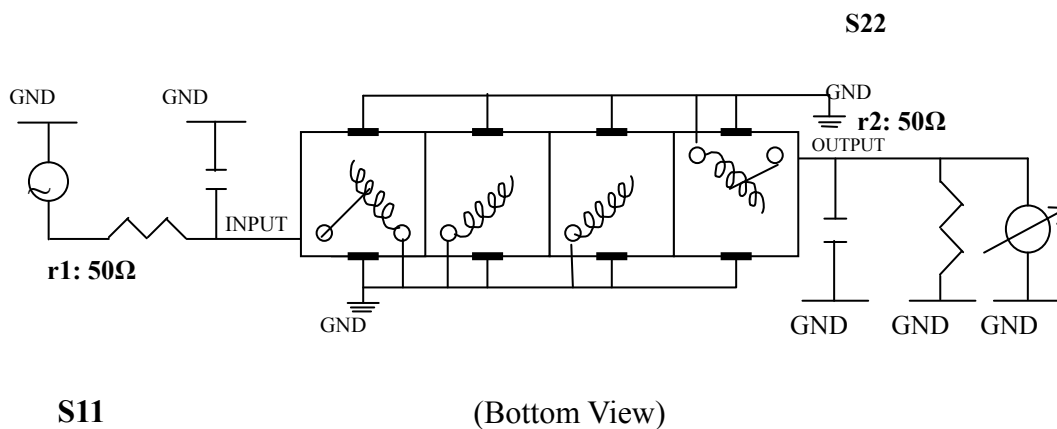
!!Customer Name		Temwell's Part No.	TF69846B-725M
Approval No. /dated	201707050CD	Temwell's Print Name	69846B 725M
Work Instruction No.	201707050CD	Date	Aug.08.2017



### (3)Electric Chararistic

Item	Specify	Performance	
Center Freq.(Fo ) +/- 0.5 %	725 MHz	725 MHz	
Insertion Loss	Typ. 4.0 dB	3.01 dB	
-3 dB Bandwidth	Typ. 20 MHz	25.0 MHz	
Sensitivity (Attenuation )	Fo - 50 MHz	Typ. 52 dB	57 dB
	Fo +50 MHz	Typ. 36 dB	41 dB
	Fo - ( )MHz	Typ. dB	dB
	Fo +( )MHz	Typ. dB	dB
Return Loss	Min. 12 dB	17.9 dB	
Ripple	< 1 dB	dB	
Impedance	In / Out : 50 Ω	In / Out : 50 Ω	
(4)Torque for Tuning Screw	> 60gf · cm		
(5)Temperature Condition:			
Operating Temperature	0°C ~ +60°C		
Storage Temperature	-20°C ~ +70°C		
(6)Input Power	> 1Watt		

(7)Measuring Circuit: ※Easy to match Impedance S11/S22 50Ω by parallel with about (--).



Approval	Supervisor	Designer	Aperture size
C.Y.Chang	C.K.Chang	W.W.Wang	7H4S(4*6.35)(6.39) 7H046RB4

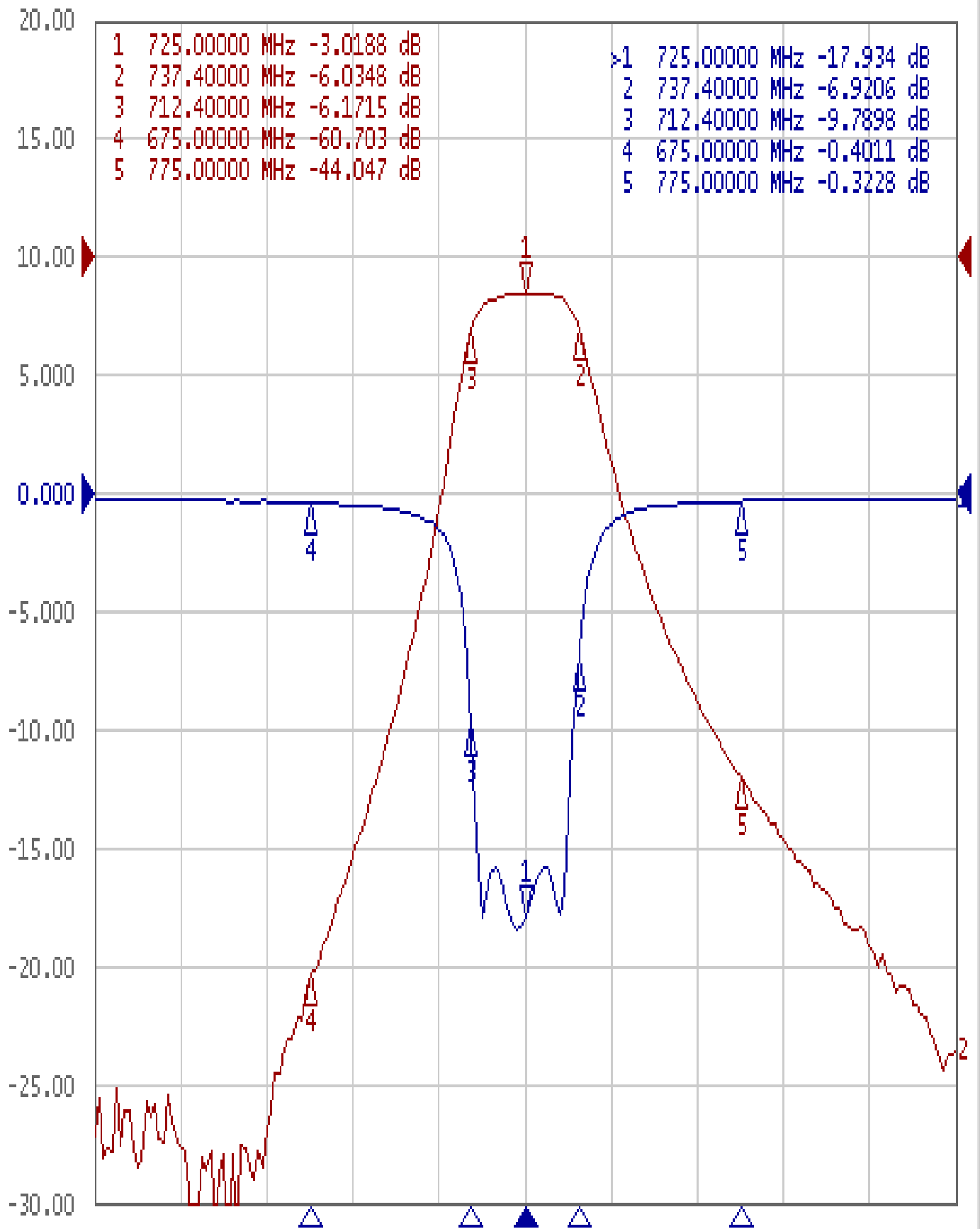
TEMWELL CORPORATION

# Performance-TF69846B-725M

## 201707050CD

Tr1 S11 Log Mag 5.000dB/ Ref 0.000dB [F2]

Tr2 S21 Log Mag 10.00dB/ Ref 0.000dB [F2]



1 Center 725 MHz

IFBW 70 kHz

Span 200 MHz Cor !