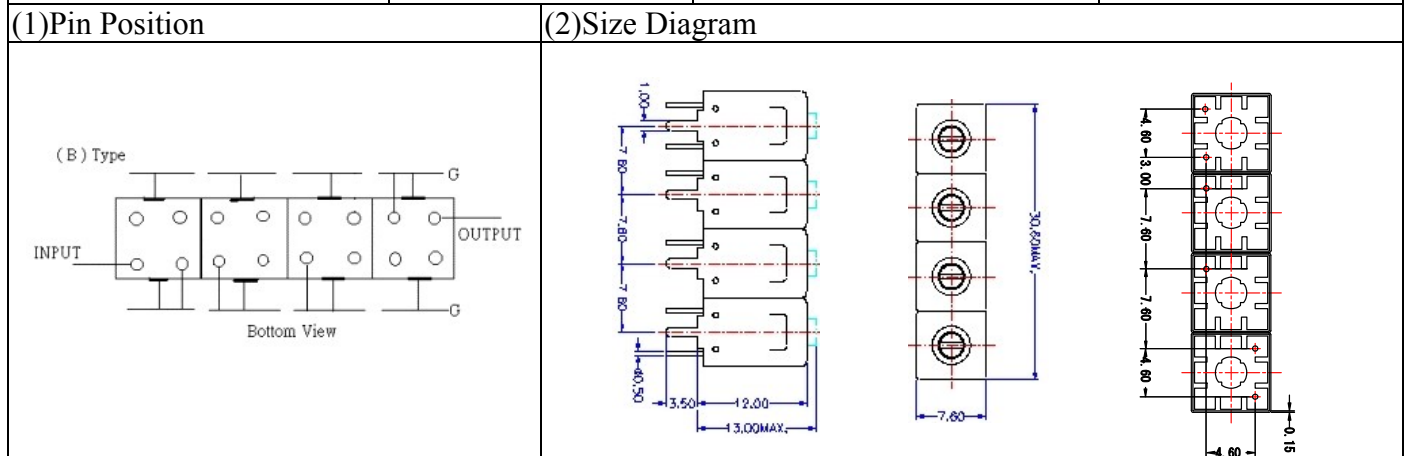


VHF UHF Helical Filter Specification Sheet

Customer Name		Temwell's Part No.	TF69854B-365M
Approval No. /dated	201702041CD	Temwell's Print Name	69854B 365M
Work Instruction No.	201702041CD	Date	Jun.19.2017



(3) Electric Chararistic

Item	Specify	Performance	
Center Freq.(Fo) +/- 0.5 %	365 MHz	365 MHz	
Insertion Loss	Typ. 2.0 dB	0.81 dB	
-3 dB Bandwidth	Typ. 70 MHz	75.4 MHz	
Sensitivity (Attenuation)	Fo - 100 MHz	Typ. 46 dBc	51 dBc
	Fo + 100 MHz	Typ. 28 dBc	33 dBc
	Fo - ()MHz	Typ. dBc	dBc
	Fo +()MHz	Typ. dBc	dBc
Return Loss	Min. 12 dB	18.6 dB	
Ripple	< 1 dB	dB	
Impedance	In / Out : 50 Ω	In / Out : 50 Ω	

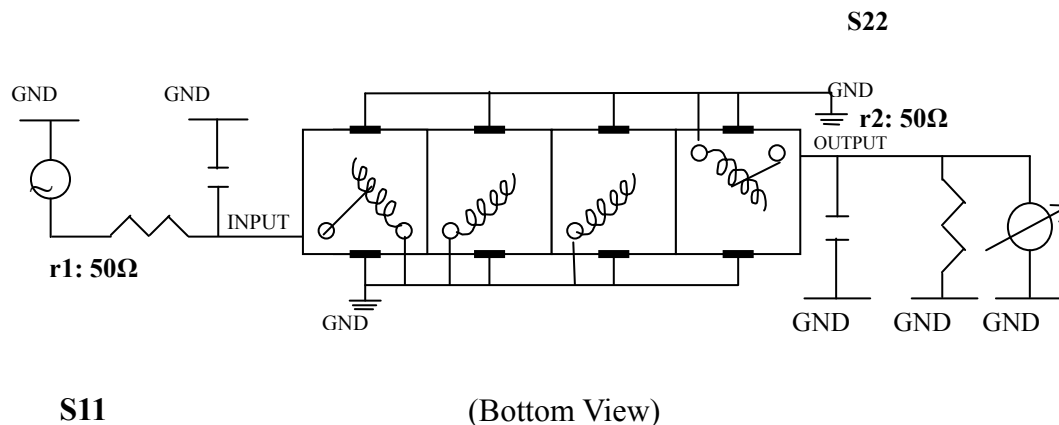
(4) Torque for Tuning Screw > 60gf · cm

(5) Temperature Condition:

Operating Temperature	0°C ~ +60°C
Storage Temperature	-20°C ~ +70°C

(6) Input Power > 1Watt

(7) Measuring Circuit: ※Easy to match Impedance S11/S22 50Ω by parallel with about(- -).



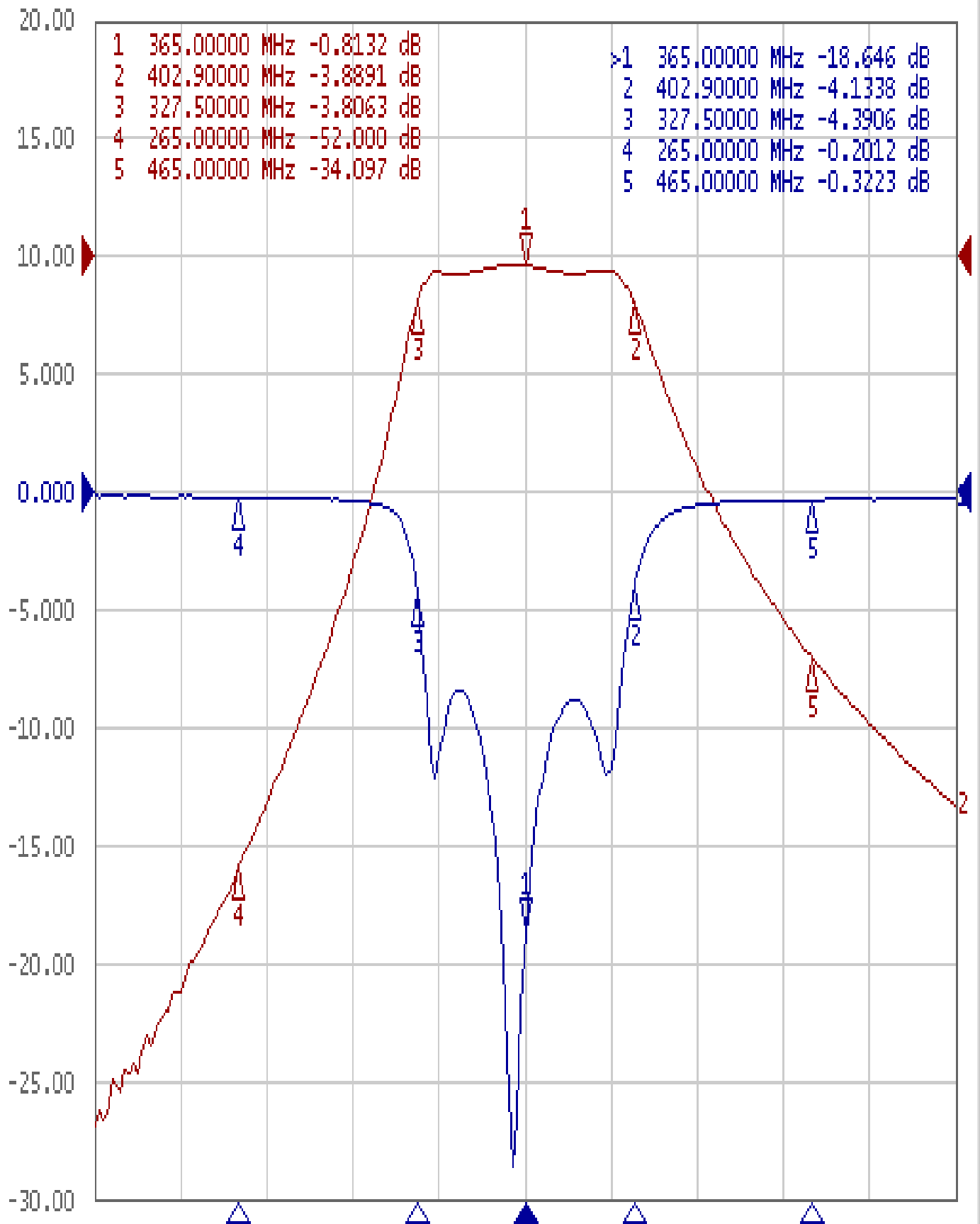
Approval	Supervisor	Designer	Aperture size
C.Y.Chang	C.K.Chang	W.W.Wang	7H4S(4*6.5)(6.53) 7H046RB6.5(J1)

TEMWELL CORPORATION

Performance-TF69854B-365M

201702041CD

Tr1 S11 Log Mag 5.000dB/ Ref 0.000dB [F2]
Tr2 S21 Log Mag 10.00dB/ Ref 0.000dB [F2]



1 Center 365 MHz

IFBW 70 kHz

Span 300 MHz Cor !