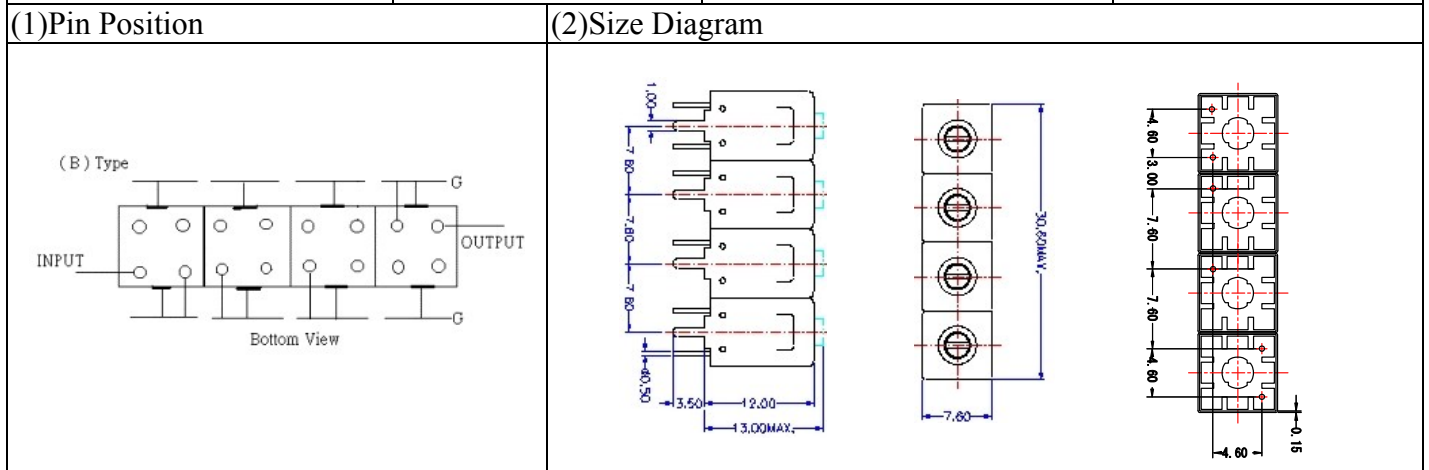
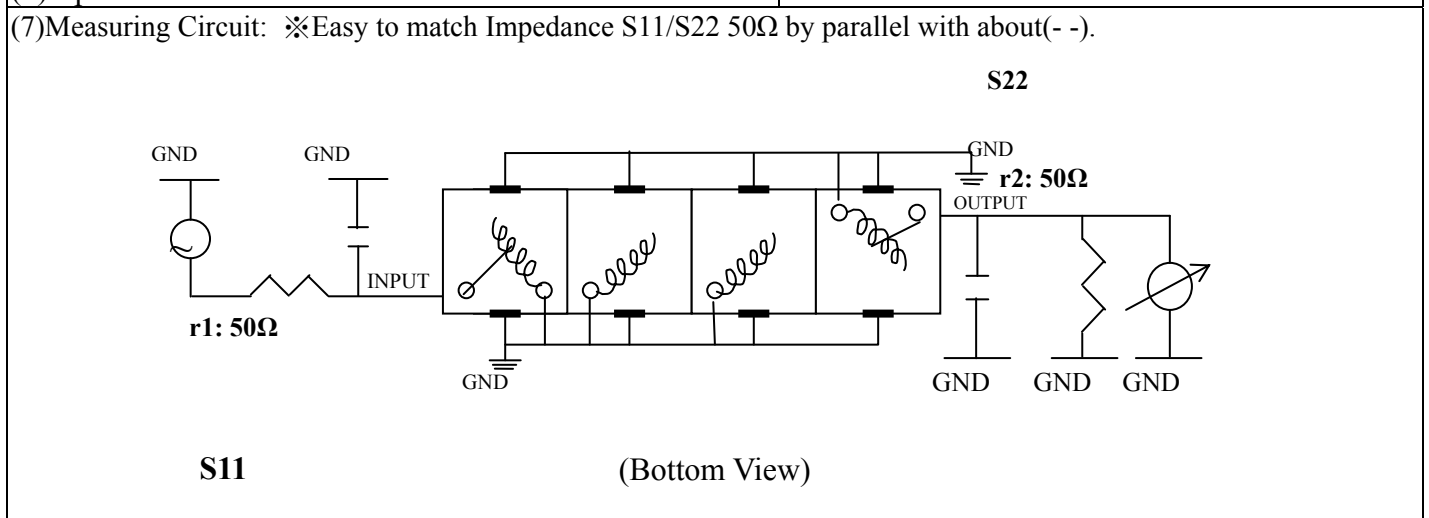


VHF UHF Helical Filter Specification Sheet

Customer Name		Temwell's Part No.	TF69855B-480M
Approval No. /dated	201703053CD	Temwell's Print Name	69855B 480M
Work Instruction No.	201703053CD	Date	Mar.30.2017



(3) Electric Characteristic					
Item		Specify		Performance	
Center Freq.(Fo) +/- 0.5 %		480 MHz		480 MHz	
Insertion Loss		Typ.	2.0 dB	0.80 dB	
-3 dB Bandwidth		Typ.	80 MHz	84.4 MHz	
Sensitivity (Attenuation)	Fo - 150 MHz	Typ.	55 dBc	68 dBc	
	Fo +150 MHz	Typ.	35 dBc	41 dBc	
	Fo - ()MHz	Typ.	dBc	dBc	
	Fo +()MHz	Typ.	dBc	dBc	
Return Loss		Min.	12 dB	25.7 dB	
Ripple		< 1 dB		dB	
Impedance		In / Out : 50 Ω		In / Out : 50 Ω	
(4) Torque for Tuning Screw		> 60gf · cm			
(5) Temperature Condition:					
Operating Temperature		0°C ~ +60°C			
Storage Temperature		-20°C ~ +70°C			
(6) Input Power		> 1 Watt			



Approval	Supervisor	Designer	Aperture size
C.Y.Chang	C.K.Chang	P.H.Chiang	7H4S(4*8.0)(8.01) 7H046LB5.5
TEMWELL CORPORATION			

Performance-TF69855B-480M

201703053CD

Tr1 S11 Log Mag 5.000dB/ Ref 0.000dB [F2]
Tr2 S21 Log Mag 10.00dB/ Ref 0.000dB [F2]

