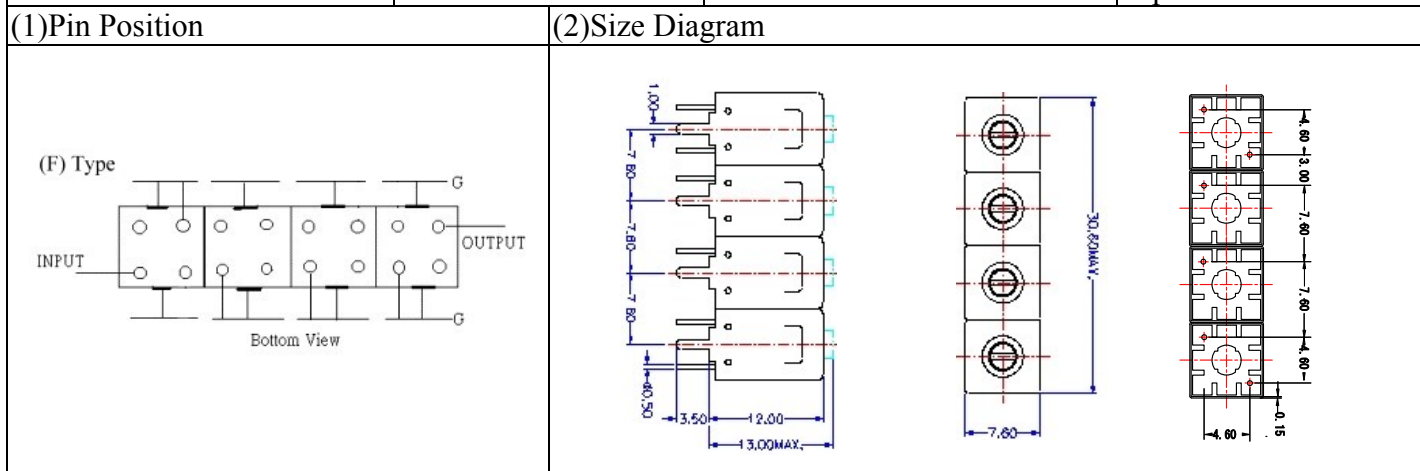


VHF UHF Helical Filter Specification Sheet

Customer Name		Temwell's Part No.	TF69859F-850M
Approval No. /dated	201707076CD	Temwell's Print name	69859F 850M
Work Instruction No.	201707076CD	Date	Sep.11.2017



(3) Electric Characteristic

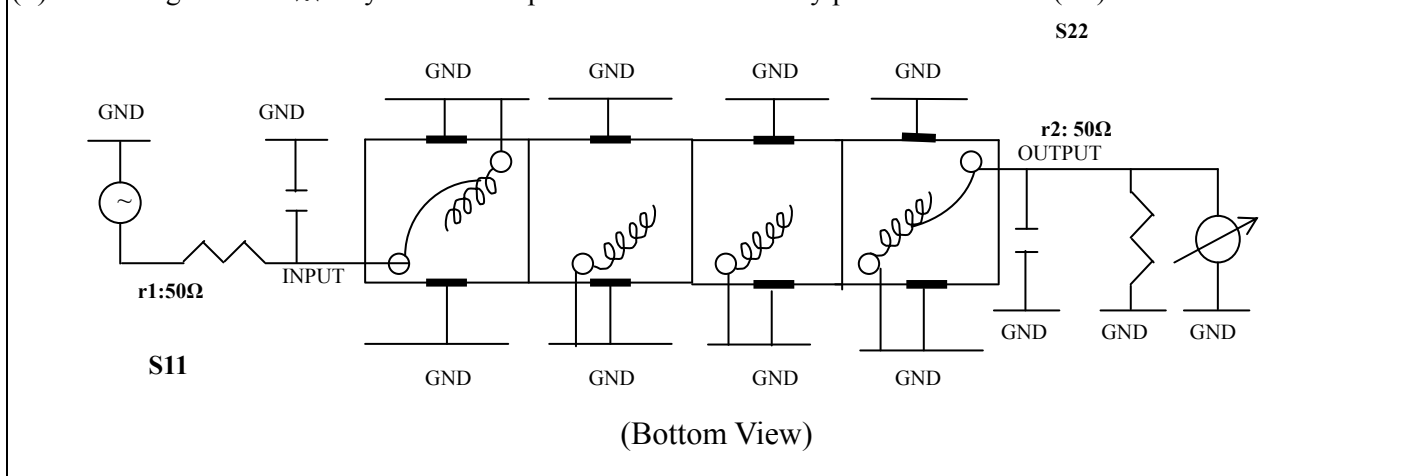
Item	Specify	Performance
Center Freq.(Fo) +/- 0.5 %	850 MHz	850 MHz
Insertion Loss	Typ. 2.0 dB	1.34 dB
-3 dB Bandwidth	Typ. 100 MHz	113.6 MHz
Sensitivity (Attenuation)	Fo - (200) MHz	Typ. 49 dBc
	Fo + (200) MHz	Typ. 47 dBc
	Fo - () MHz	Typ. dBc
	Fo + () MHz	Typ. dBc
Return Loss	Min. 12 dB	15.8 dB
Ripple	< 1 dB	
Impedance	In / Out : 50 Ω	In / Out : 50 Ω
(4) Torque for Tuning Screw	> 60gf · cm	

(5) Temperature Condition:

Operating Temperature	0°C ~ +60°C
Storage Temperature	-20°C ~ +70°C

(6) Input Power

(7) Measuring Circuit: ※Easy to match Impedance S11/S22 50Ω by parallel with about(--).



Approval C.Y.Chang	Supervisor C.K.Chang	Designer C.S.Chang	Aperture size 7H4S(4*5.5)(5.56) 7H046RB6.5(J2)
-----------------------	-------------------------	-----------------------	--

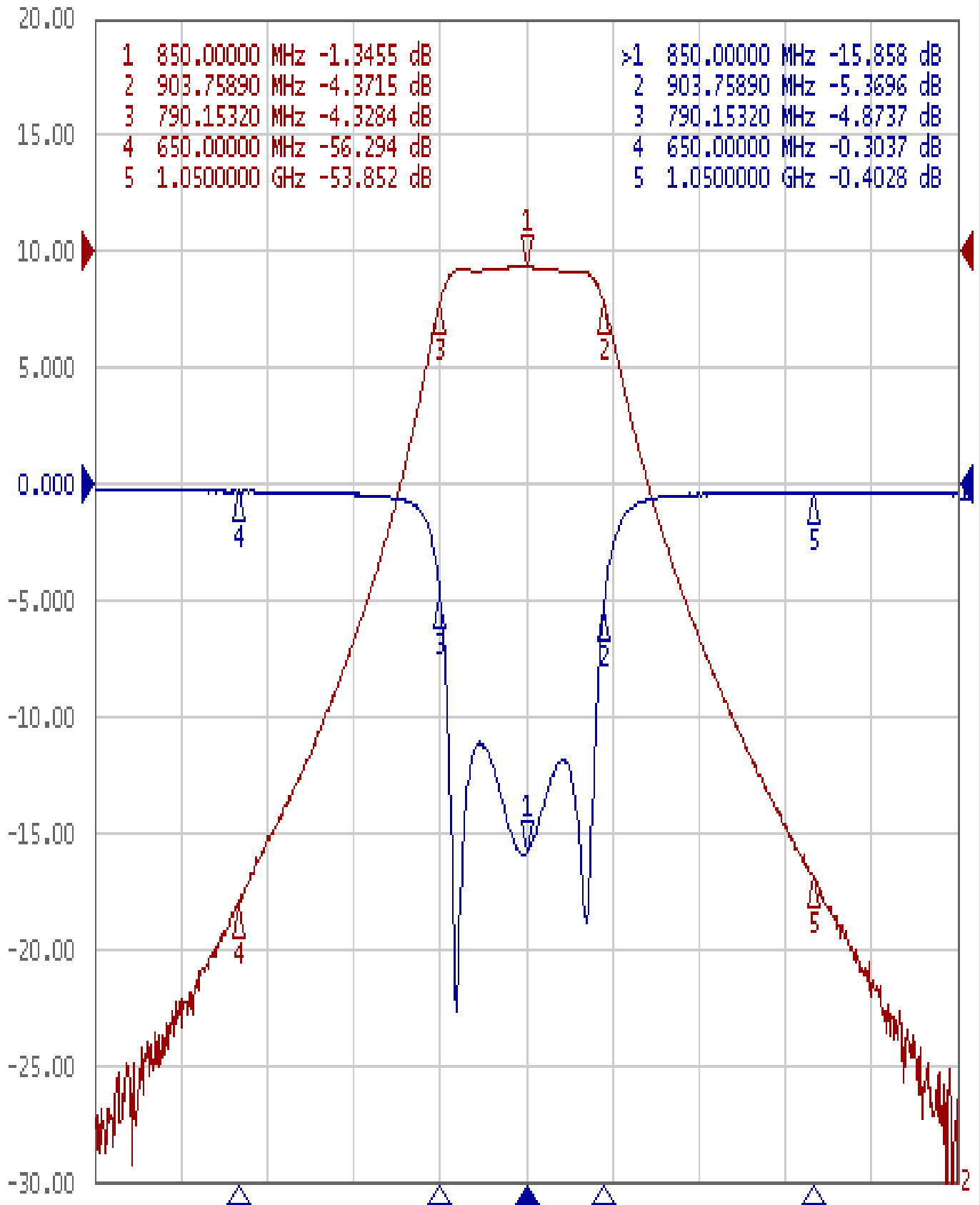
TEMWELL CORPORATION

Performance-TF69859F-850M

201708076CD

Tr1 S11 Log Mag 5.000dB/ Ref 0.000dB [F2]

Tr2 S21 Log Mag 10.000dB/ Ref 0.000dB [F2]



1 Center 850 MHz

IFBW 70 kHz

Span 600 MHz

Cor !