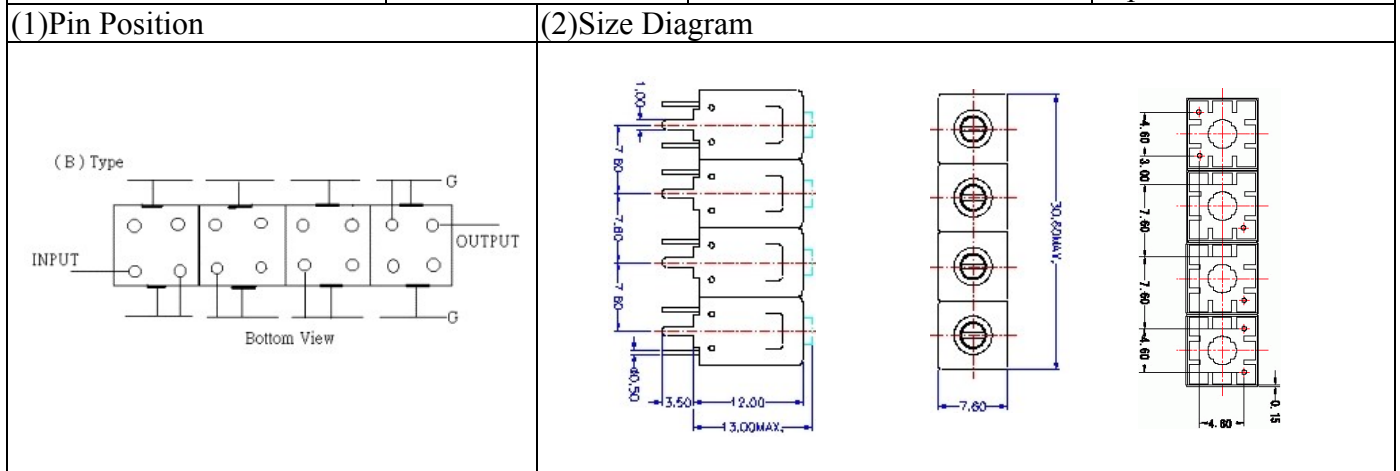
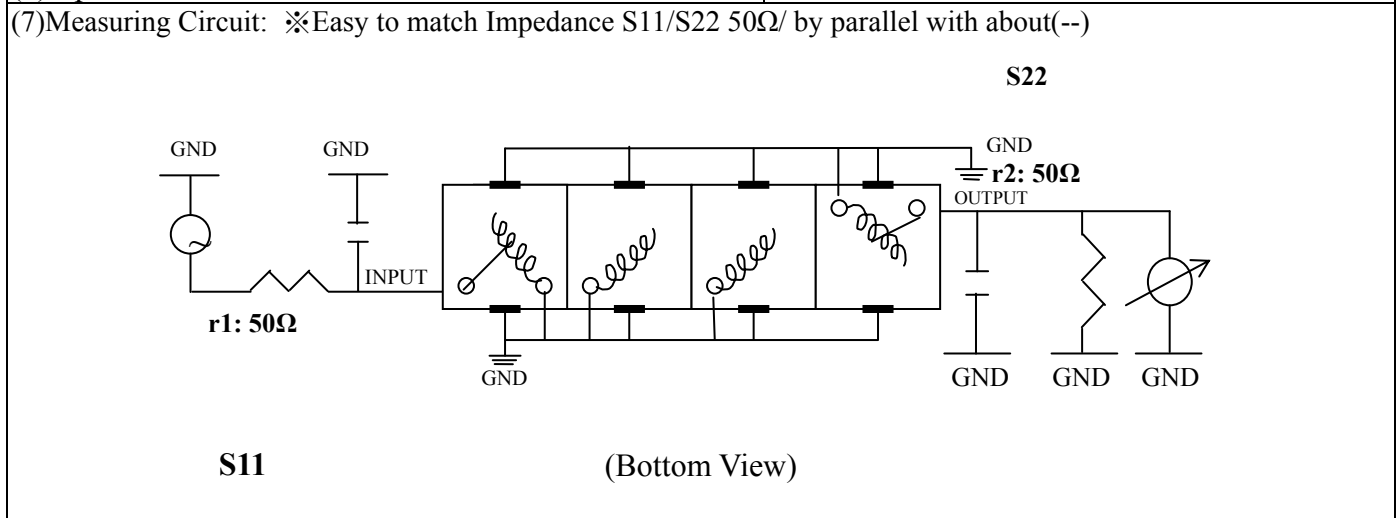


# VHF UHF Helical Filter Specification Sheet

Customer Name		Temwell's Part No.	TF69868B-933M
Approval No. /dated	201206080CD	Temwell's Print Name.	69868B 933M
Work Instruction No.	201206080CD	Date	Sep.07.2012



(3) Electric Characteristic			
Item		Specify	Performance
Center Freq.(Fo) +/- 0.5 %		933 MHz	933 MHz
Insertion Loss		Typ. 2.0 dB	1.33 dB
-3 dB Bandwidth		Typ. 120 MHz	130.6 MHz
Sensitivity (Attenuation)	Fo - 150 MHz	Typ. 44 dBc	47 dBc
	Fo + 150 MHz	Typ. 24 dBc	27 dBc
	Fo - ( )MHz	Typ. dBc	dBc
	Fo + ( )MHz	Typ. dBc	dBc
Return Loss		Min. 12 dB	19.3 dB
Ripple		< 1 dB	dB
Impedance		In / Out : 50 Ω	In / Out : 50 Ω
(4) Torque for Tuning Screw		> 60gf • cm	
(5) Temperature Condition:			
Operating Temperature		0°C ~ +60°C	
Storage Temperature		-20°C ~ +70°C	
(6) Input Power		> 1Watt	



Approval	Supervisor	Designer	Aperture size
C.Y.Chang	C.K.Chang	C.S.Chang	7H4S(4*8.0)(8.02) 7H046RB6.5
TEMWELL CORPORATION			

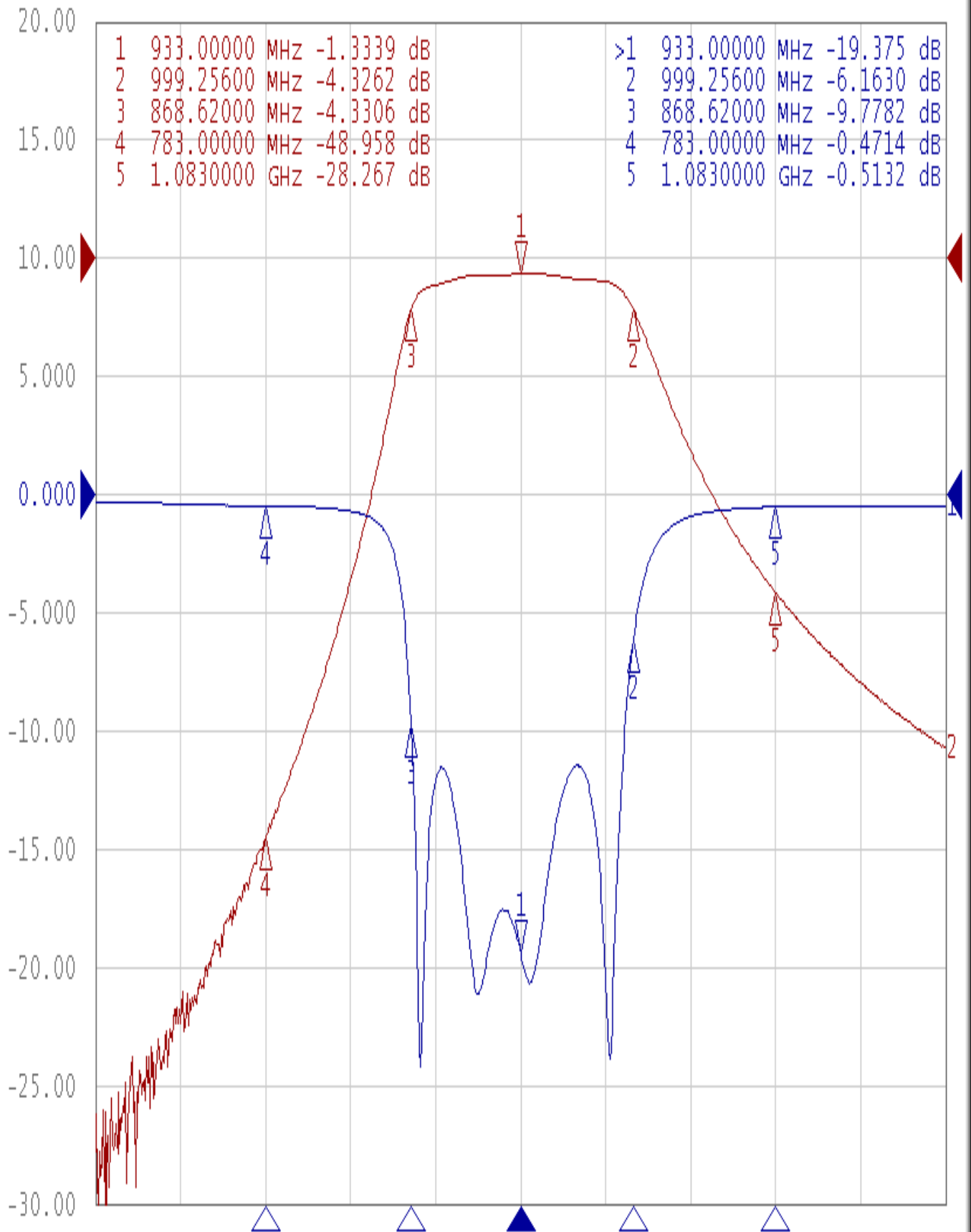
TEMWELL

RP:(C.S.C)

# Performance-TF69868B-933M

## 201206080CD

Tr1 S11 Log Mag 5.000dB/ Ref 0.000dB [F2]  
Tr2 S21 Log Mag 10.00dB/ Ref 0.000dB [F2]



1 Center 933 MHz

IFBW 10 kHz

Span 500 MHz Cor !