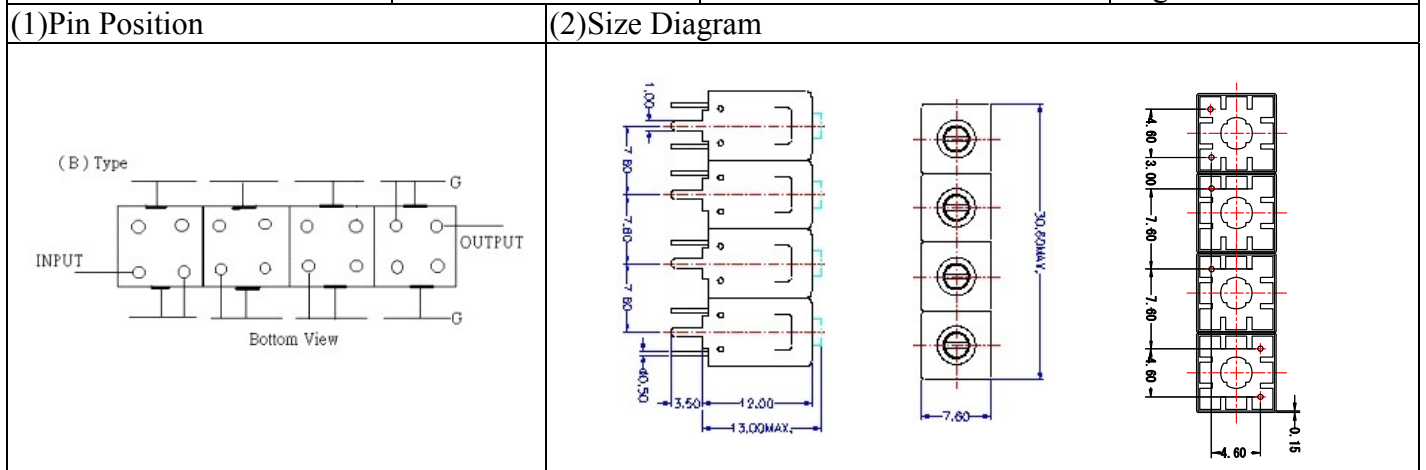
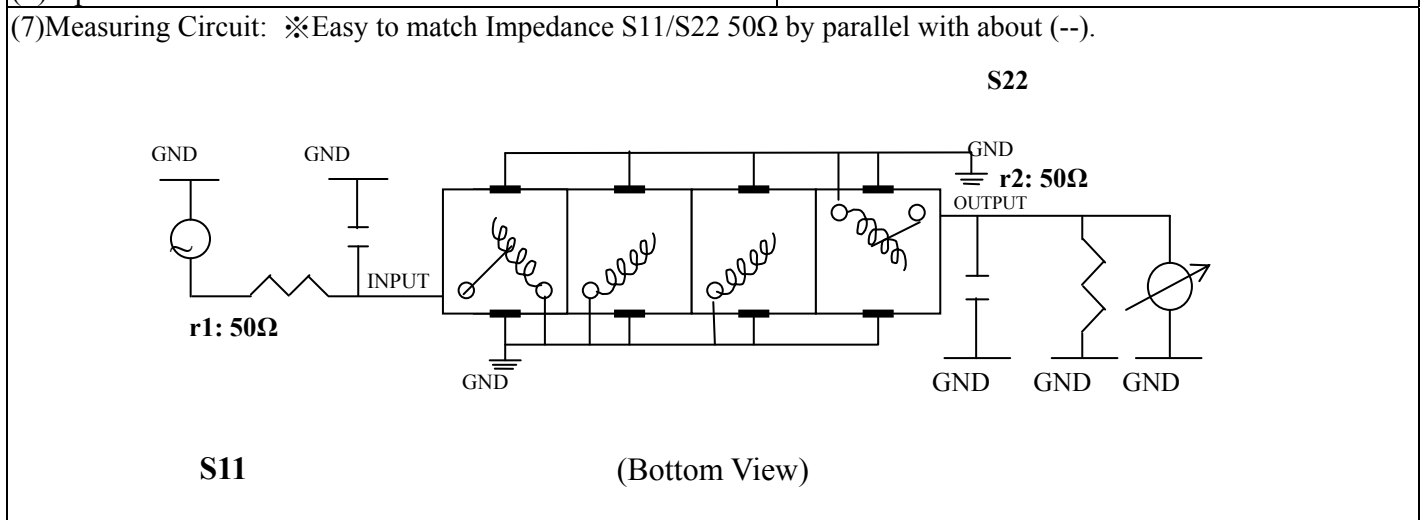


VHF UHF Helical Filter Specification Sheet

| | | | |
|----------------------|-------------|----------------------|----------------|
| Customer Name | | Temwell's Part No. | TF69875B-620M |
| Approval No. /dated | 201707040CD | Temwell's Print Name | 69875B 620M |
| Work Instruction No. | 201707040CD | Date | Aug.04.2017 |



| (3) Electric Characteristic | | | | | |
|------------------------------|--------------|-----------------|--|-----------------|--|
| Item | | Specify | | Performance | |
| Center Freq.(Fo) +/- 0.5 % | | 620 MHz | | 620 MHz | |
| Insertion Loss | | Typ. 2.0 dB | | 1.15 dB | |
| -3 dB Bandwidth | | Typ. 85 MHz | | 89.4 MHz | |
| Sensitivity (Attenuation) | Fo - 200 MHz | Typ. 67 dBc | | 77 dBc | |
| | Fo + 200 MHz | Typ. 42 dBc | | 47 dBc | |
| | Fo - ()MHz | Typ. dB | | dB | |
| | Fo + ()MHz | Typ. dB | | dB | |
| Return Loss | | Min. 12 dB | | 19.1 dB | |
| Ripple | | < 1 dB | | dB | |
| Impedance | | In / Out : 50 Ω | | In / Out : 50 Ω | |
| (4) Torque for Tuning Screw | | > 60gf • cm | | | |
| (5) Temperature Condition: | | | | | |
| Operating Temperature | | 0°C ~ +60°C | | | |
| Storage Temperature | | -20°C ~ +70°C | | | |
| (6) Input Power | | > 1 Watt | | | |



| | | | |
|-----------|------------|----------|---------------------------------|
| Approval | Supervisor | Designer | Aperture size |
| C.Y.Chang | C.K.Chang | C.H.Yeh | 7H4S(4*5.5)(5.58) 7H046RB6.5 |

TEMWELL CORPORATION

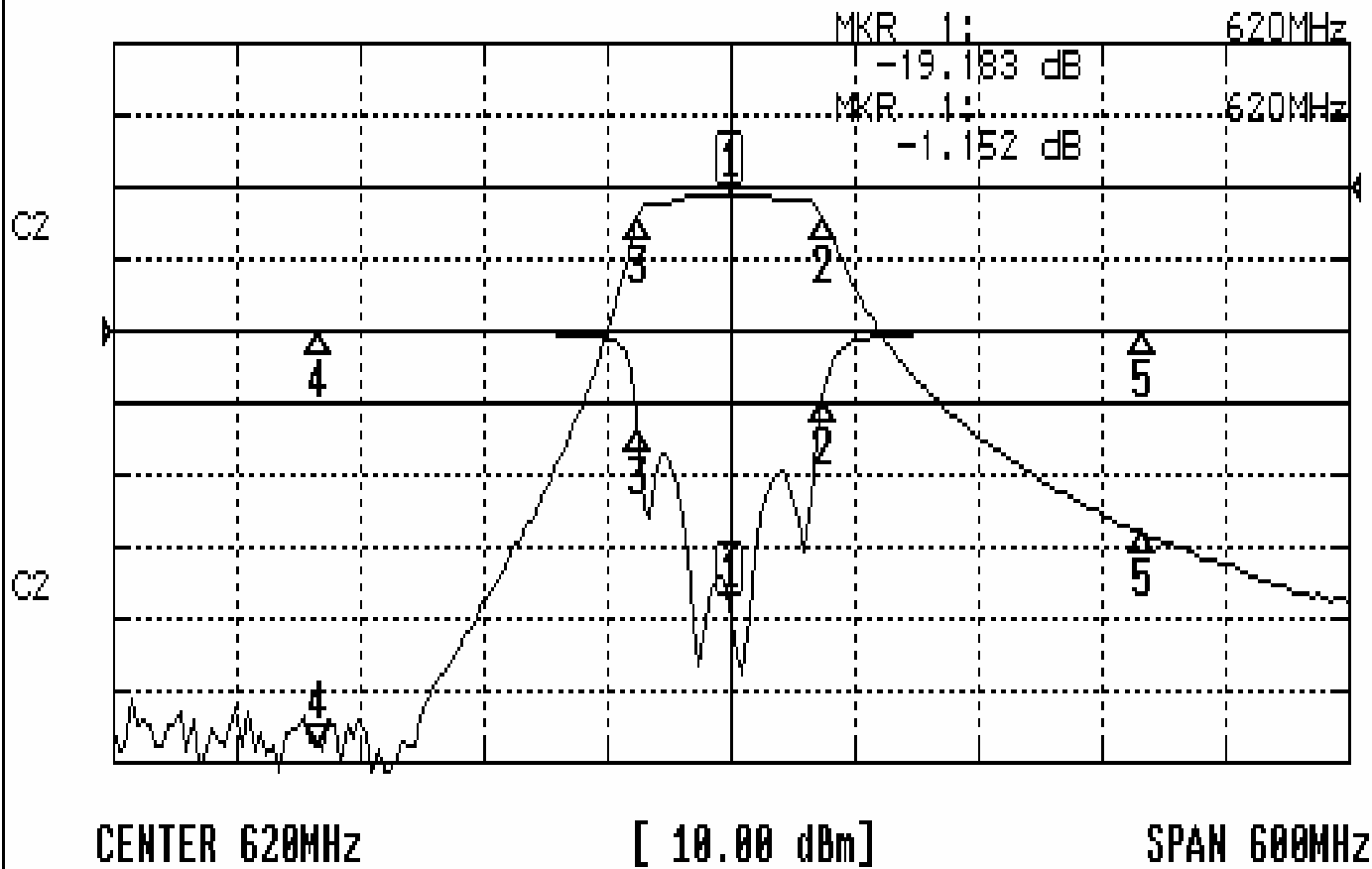
TEMWELL Form10-7H4B Vision D

RP (C.H.Y)

Performance-TF69875B-620M

201707040CD

CH1 S11 LOG MAG REF 0.000 dB 5.000 dB/
CH2 S21 LOG MAG REF 0.000 dB 10.000 dB/



CH1 MARKER LIST

| | | | |
|-----|------------|---------|----|
| 1: | 620.000MHz | -19.183 | dB |
| 2: | 664.800MHz | -4.761 | dB |
| 3: | 575.350MHz | -6.686 | dB |
| 4: | 420.000MHz | -0.051 | dB |
| 5: | 820.000MHz | 0.028 | dB |
| 6: | | | |
| 7: | | | |
| 8: | | | |
| 9: | | | |
| 10: | | | |

CH2 MARKER LIST

| | | | |
|-----|------------|---------|----|
| 1: | 620.000MHz | -1.152 | dB |
| 2: | 664.800MHz | -4.104 | dB |
| 3: | 575.350MHz | -4.180 | dB |
| 4: | 420.000MHz | -78.328 | dB |
| 5: | 820.000MHz | -48.117 | dB |
| 6: | | | |
| 7: | | | |
| 8: | | | |
| 9: | | | |
| 10: | | | |