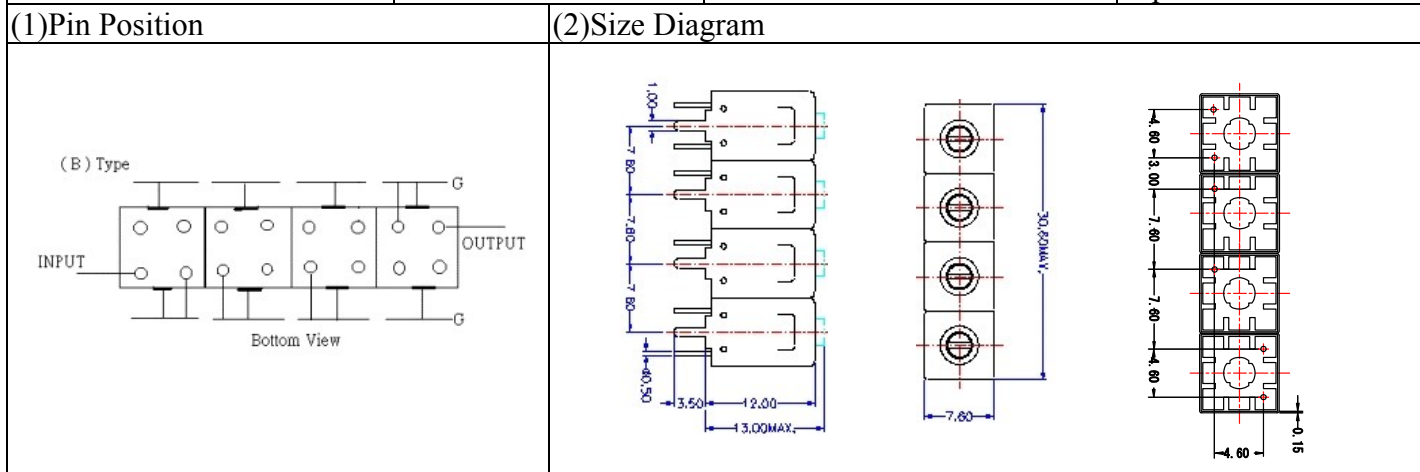


# VHF UHF Helical Filter Specification Sheet

Customer Name		Temwell's Part No.	TF69877B-815M
Approval No. /dated	201708069CD	Temwell's Print Name	69877B 815M
Work Instruction No.	201708069CD	Date	Sep.01.2017



**(3) Electric Charasteric**

Item	Specify	Performance
Center Freq.(Fo) +/- 0.5 %	815 MHz	815 MHz
Insertion Loss	Typ. 2.5 dB	1.40 dB
-3 dB Bandwidth	Typ. 90 MHz	94.5 MHz
Sensitivity (Attenuation)	Fo - 200 MHz	Typ. 66 dBc
	Fo +200 MHz	Typ. 38 dBc
	Fo - ( )MHz	Typ. dB
	Fo +( )MHz	Typ. dB
Return Loss	Min. 12 dB	29.7 dB
Ripple	< 1 dB	
Impedance	In / Out : 50 Ω	In / Out : 50 Ω

(4) Torque for Tuning Screw > 60gf • cm

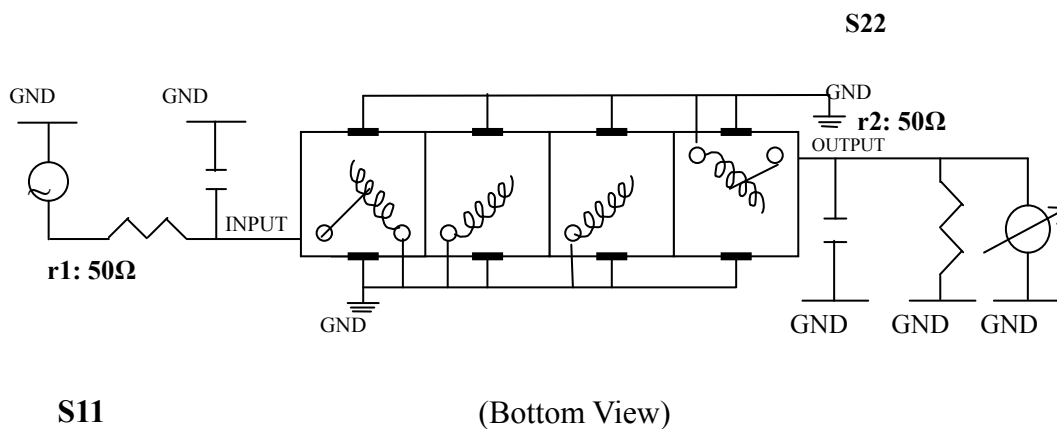
(5) Temperature Condition:

Operating Temperature 0°C ~ +60°C

Storage Temperature -20°C ~ +70°C

(6) Input Power > 1Watt

(7) Measuring Circuit: ※Easy to match Impedance S11/S22 50Ω by parallel with about (--).



Approval	Supervisor	Designer	Aperture size
C.Y.Chang	C.K.Chang	C.H.Yeh	7H4S(4*4.65)(4.70) 7H046RB6.5

TEMWELL CORPORATION

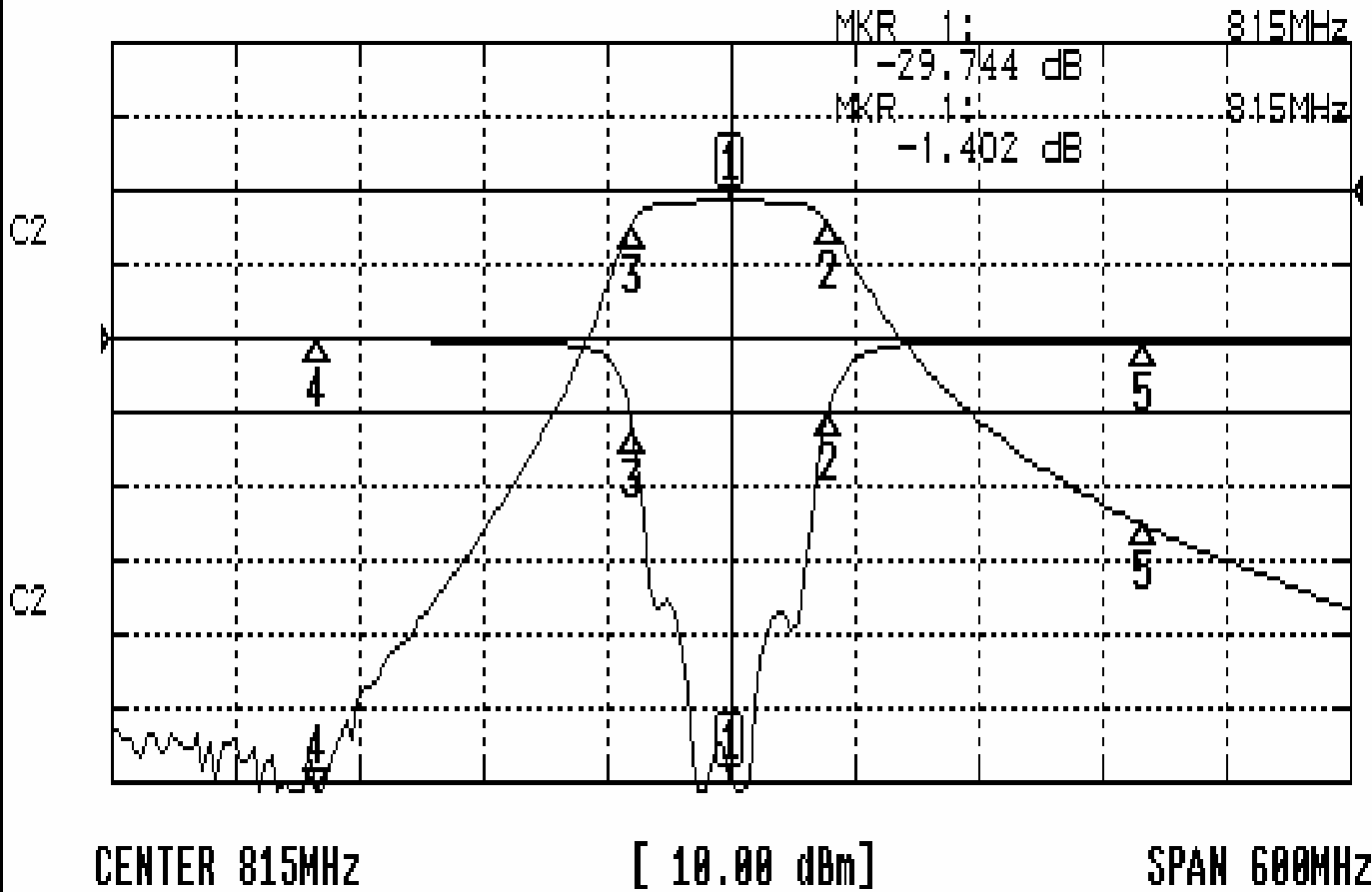
TEMWELL Form10-7H4B Vision D

RP (C.H.Y)

# Performance-TF69877B-815M

## 201708069CD

**CH1** S11                      LOG MAG                      REF    0.000 dB            5.000 dB/  
**CH2** S21                      LOG MAG                      REF    0.000 dB            10.000 dB/



### CH1 MARKER LIST

1:	815.000MHz	-29.744 dB
2:	862.500MHz	-5.063 dB
3:	768.000MHz	-6.282 dB
4:	615.000MHz	-0.087 dB
5:	1.015 000GHz	-0.151 dB
6:		
7:		
8:		
9:		
10:		

### CH2 MARKER LIST

1:	815.000MHz	-1.402 dB
2:	862.500MHz	-4.476 dB
3:	768.000MHz	-4.427 dB
4:	615.000MHz	-78.104 dB
5:	1.015 000GHz	-45.163 dB
6:		
7:		
8:		
9:		
10:		