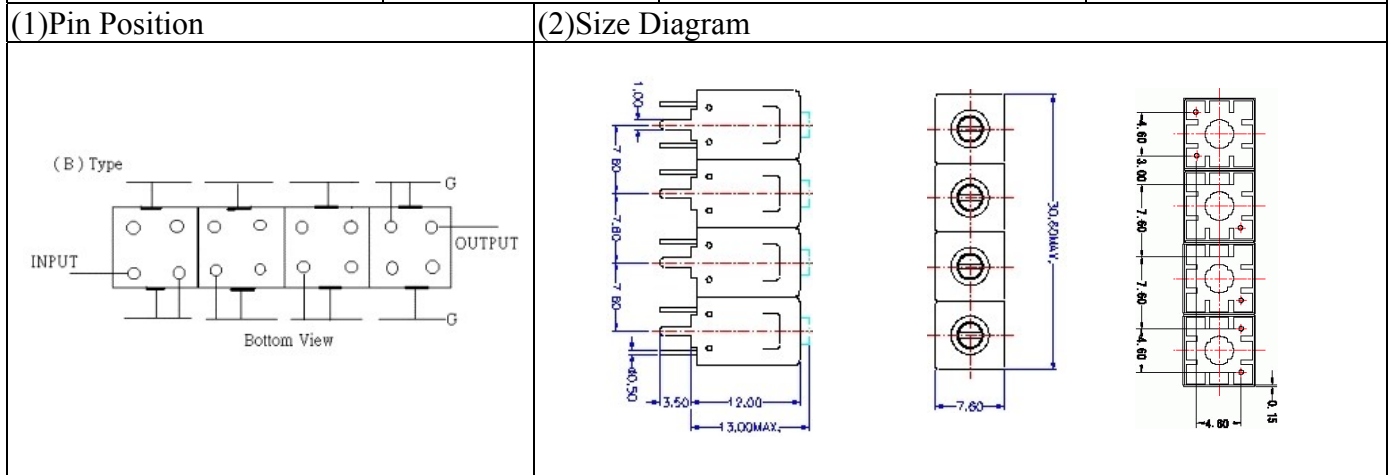


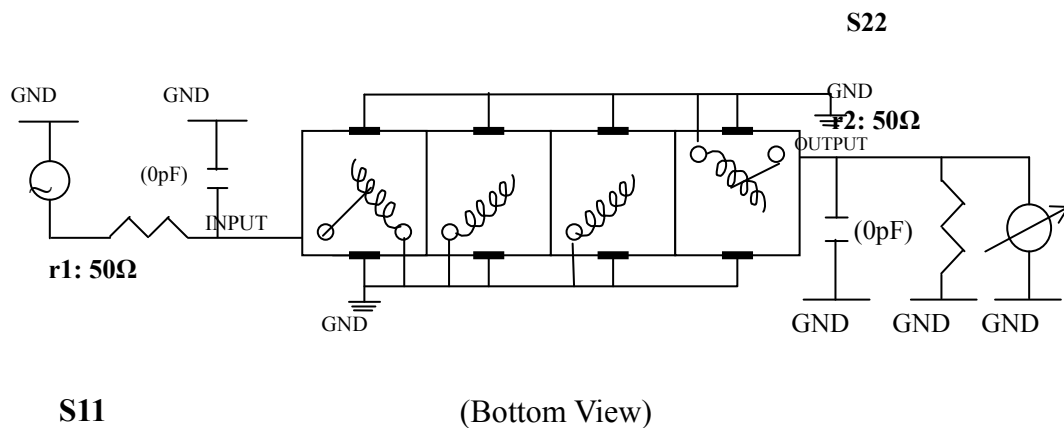
VHF UHF Helical Filter Specification Sheet

Customer Name		Temwell's Part No.	TF6998B-350M
Approval No. /dated	0802005APR	Acceptable Specify Fo Range	311~355MHz
Work Instruction No.	0802005CD	Date	Feb.15.2008



(3) Electric Characteristic		Item	Specify	Performance
		Center Freq.(Fo) +/- 0.5 %	350 MHz	350 MHz
		Insertion Loss	Typ. 2.5 dB	1.59 dB
		-3 dB Bandwidth	Typ. 25 MHz	27.6 MHz
Sensitivity (Attenuation)	Fo - 40 MHz	Typ. 45 dBc		48 dBc
	Fo + 40 MHz	Typ. 32 dBc		35 dBc
	Fo - ()MHz	Typ. dBc		dBc
	Fo +()MHz	Typ. dBc		dBc
		Return Loss	Min. 12 dB	20.4 dB
		Ripple	< 1 dB	dB
		Impedance	In / Out : 50 Ω	In / Out : 50 Ω
(4) Torque for Tuning Screw				> 100gf · cm
(5) Temperature Condition:				
Operating Temperature				0°C ~ +60°C
Storage Temperature				-20°C ~ +70°C
(6) Input Power				> 1 Watt

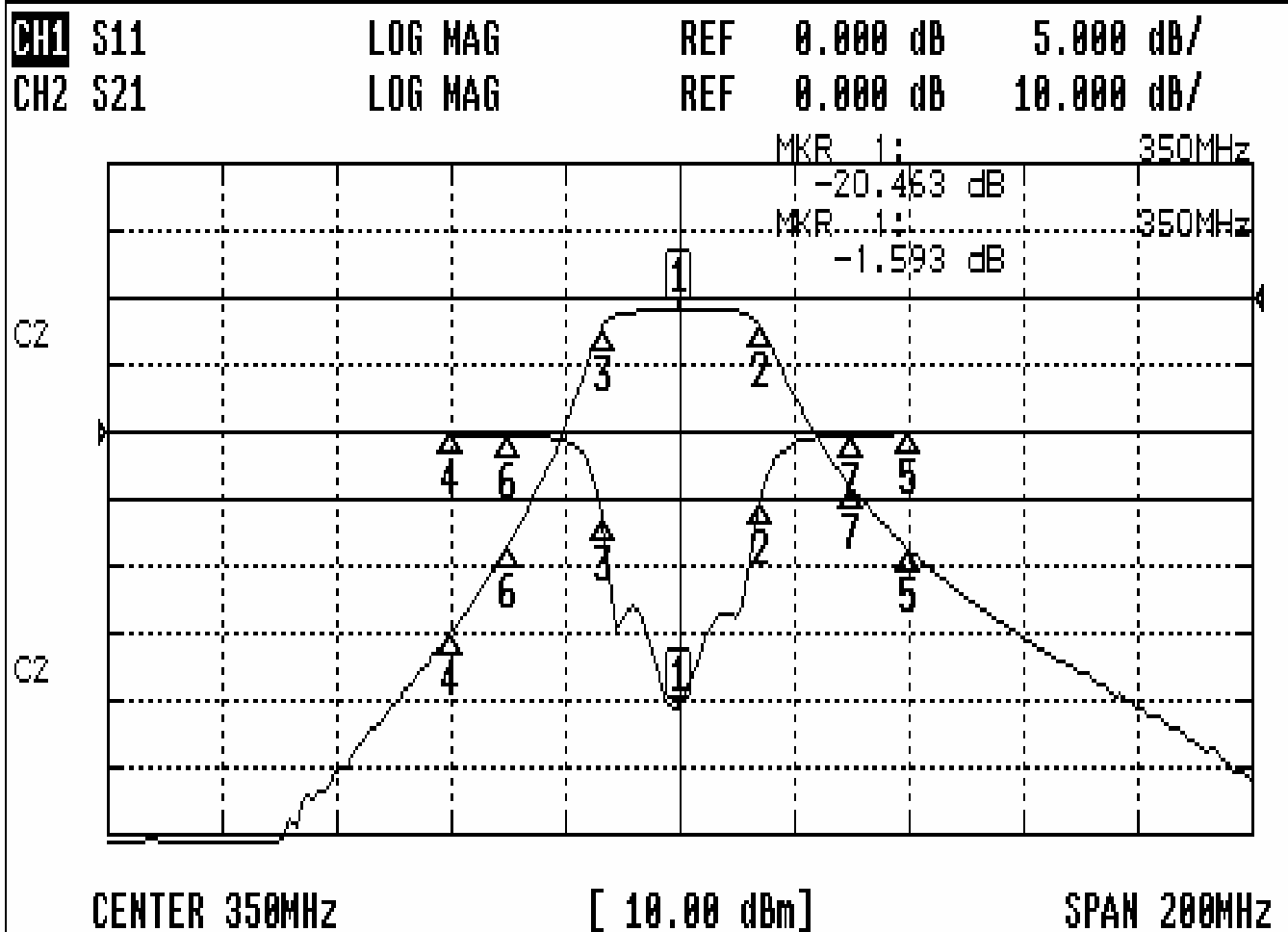
(7) Measuring Circuit: ※ Easy to match Impedance S11/S22 50Ω/ by parallel with about(0pF) / (0 pF).



Approval	Supervisor	Designer	Aperture size
C.Y.Chang	C.S.Chang	P.H.Chiang	7H4(4*6.5)F*(5.0B) 7H046LB5
TEMWELL CORPORATION			

Performance-TF6998B-350M

0802005CD



CH1 MARKER LIST

1:	350.000MHz	-20.463	dB
2:	364.166MHz	-5.157	dB
3:	336.500MHz	-6.647	dB
4:	310.000MHz	-0.145	dB
5:	390.000MHz	-0.127	dB
6:	320.000MHz	-0.226	dB
7:	380.000MHz	-0.238	dB

CH2 MARKER LIST

1:	350.000MHz	-1.593	dB
2:	364.166MHz	-4.513	dB
3:	336.500MHz	-4.513	dB
4:	310.000MHz	-4.900	dB
5:	390.000MHz	-37.427	dB
6:	320.000MHz	-36.957	dB
7:	380.000MHz	-28.090	dB