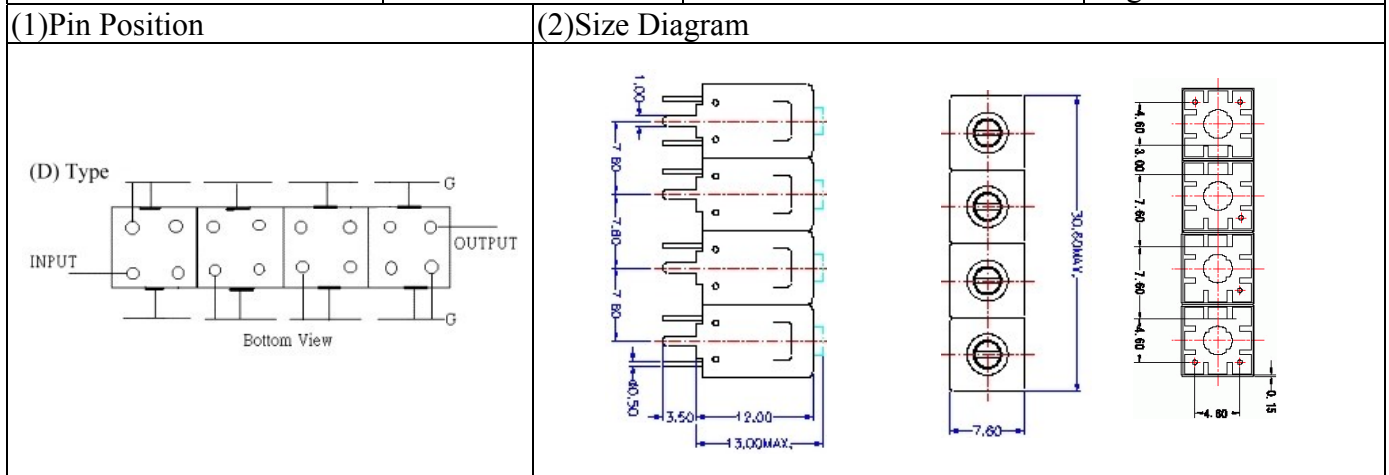
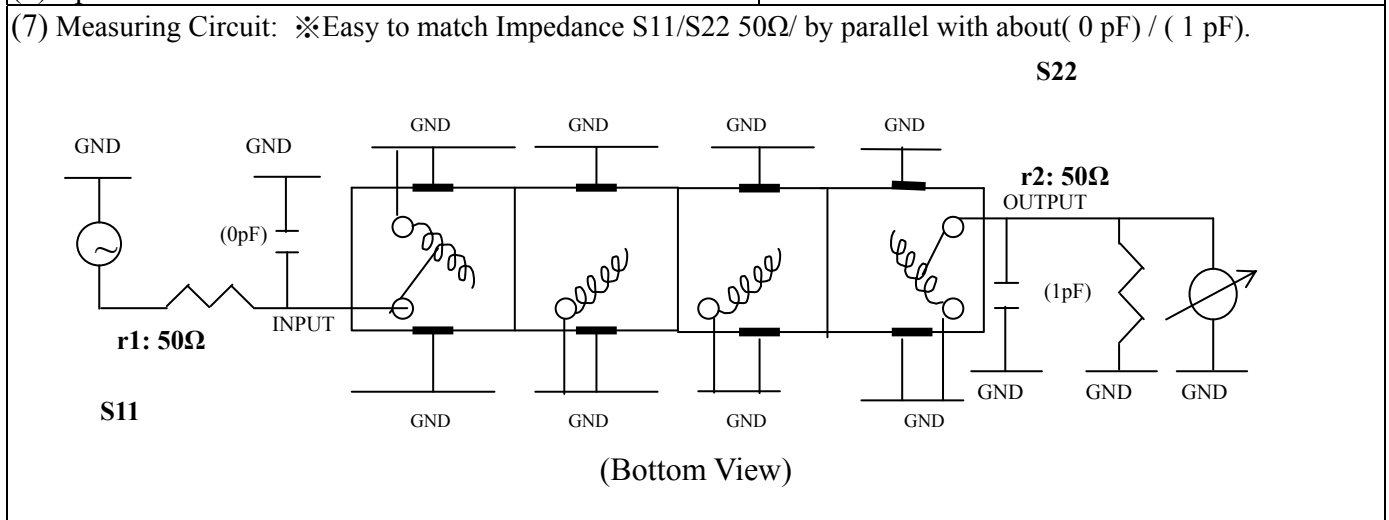


VHF UHF Helical Filter Specification Sheet

Customer Name		Temwell's Part No.	TF6999D-450M
Approval No. /dated	20311061APR	Acceptable Specify Fo Range	401~455MHz
Work Instruction No.	20311061DB	Date	Aug.08.2006



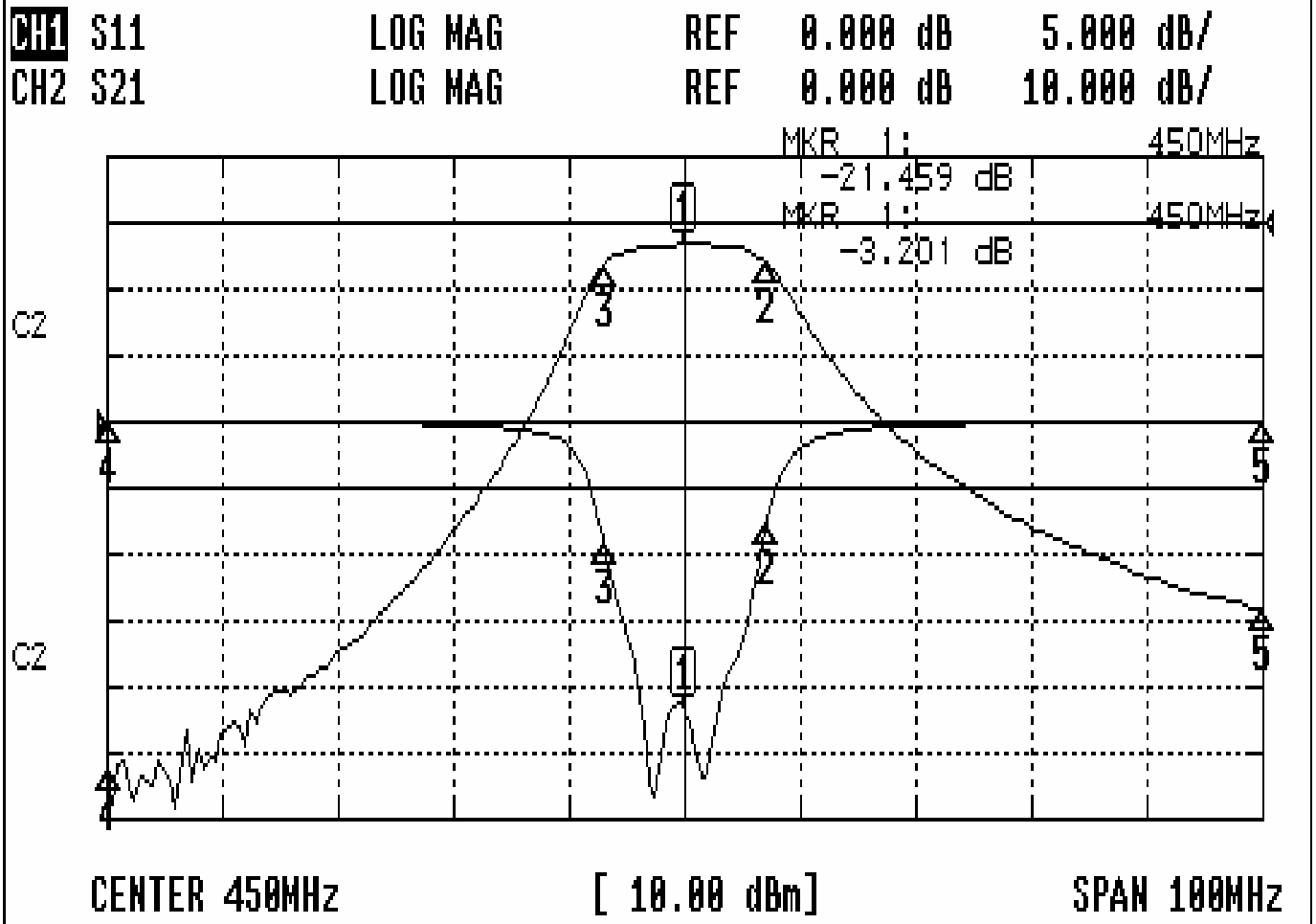
(3) Electric Characteristic					
Item		Specify		Performance	
Center Freq.(Fo) +/- 0.5 %		450 MHz		450 MHz	
Insertion Loss		Typ	4.0 dB	3.19 dB	
-3 dB Bandwidth		Typ.	10 MHz	14.1 MHz	
Sensitivity (Attenuation)	Fo - 50 MHz	Typ.	74 dBc	77 dBc	
	Fo + 50 MHz	Typ.	52 dBc	55 dBc	
	Fo - ()MHz	Typ.	dBc	dBc	
	Fo +()MHz	Typ.	dBc	dBc	
Return Loss		Min.	12 dB	21.4 dB	
Ripple		< 1 dB		dB	
Impedance		In / Out : 50 Ω		In / Out : 50 Ω	
(4) Torque for Tuning Screw				> 100gf · cm	
(5) Temperature Condition:					
Operating Temperature		0°C ~ +60°C			
Storage Temperature		-20°C ~ +70°C			
(6) Input Power		> 1Watt			



Approval	Supervisor	Designer	Aperture size
C.Y.Chang	C.S.Chang	C.S.Chang	7H4(4*5.5)(5.59) 7H046LB4 聚 3
TEMWELL CORPORATION			

Performance-TF6999D-450M

20311061DB



CH1 MARKER LIST

1	450.000MHz	-21.459	dB
2	457.166MHz	-7.643	dB
3	443.083MHz	-9.239	dB
4	400.000MHz	0.005	dB
5	500.000MHz	0.024	dB

CH2 MARKER LIST

1	450.000MHz	-3.199	dB
2	457.166MHz	6.089	dB
3	443.083MHz	6.154	dB
4	400.000MHz	0.102	dB
5	500.000MHz	-8.818	dB