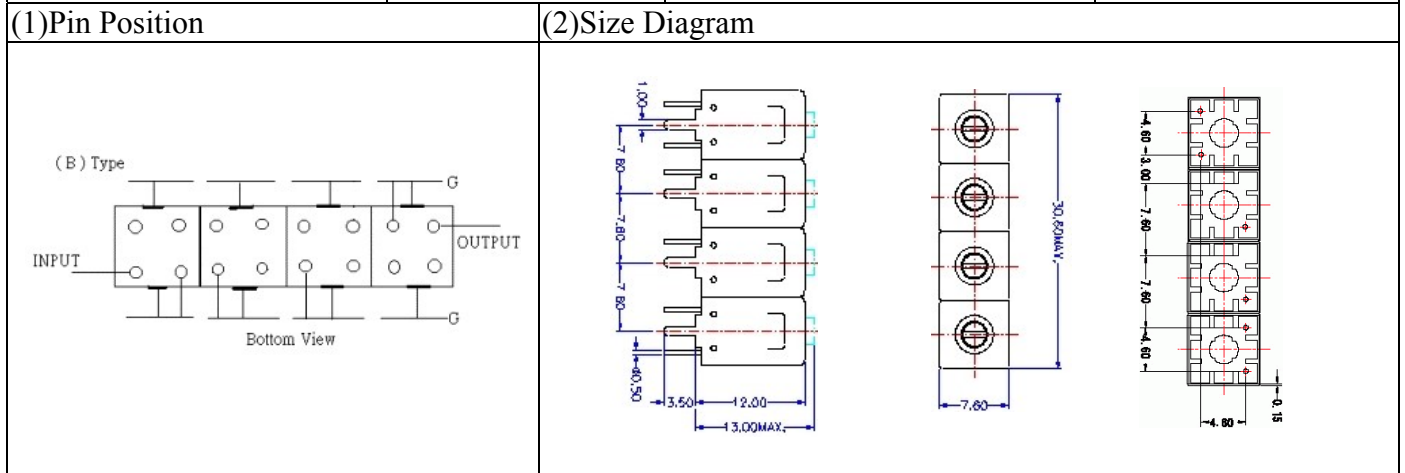


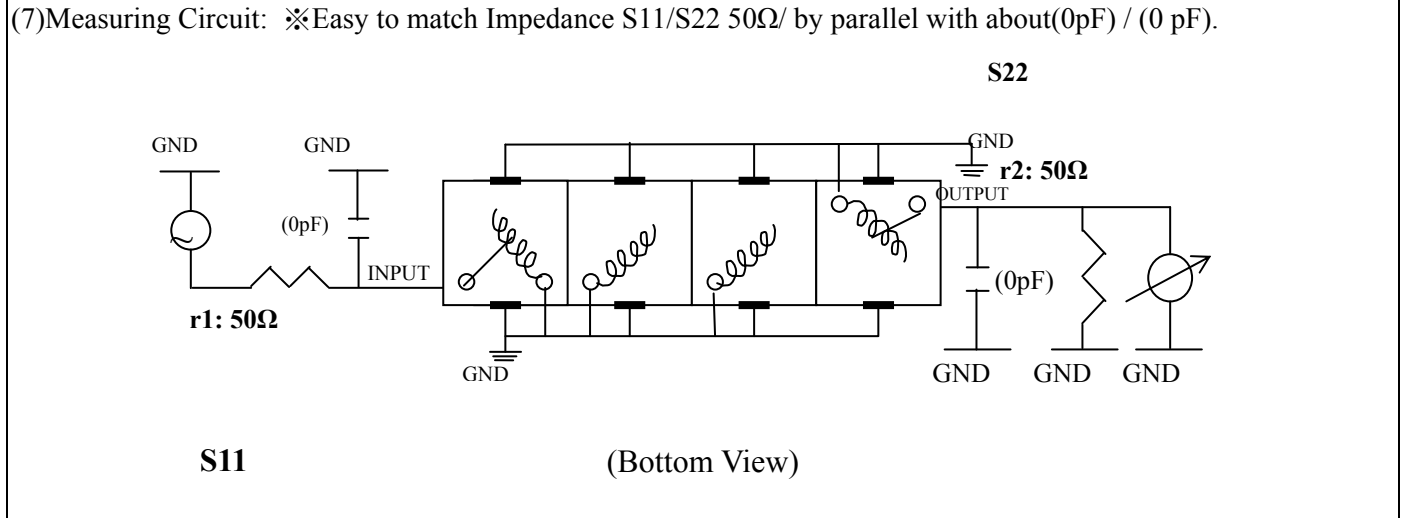
# VHF UHF Helical Filter Specification Sheet

Customer Name		Temwell's Part No.	TF8929B1-200M
Approval No. /dated	0702005APR	Acceptable Specify Fo Range	196~220MHz
Work Instruction No.	0801037EA	Date	Mar.25.2008



Item		Specify	Performance
Center Freq.(Fo ) +/- 0.5 %		200 MHz	200 MHz
Insertion Loss		Typ. 4.5 dB	3.72 dB
-3 dB Bandwidth		Typ. 5.0 MHz	7.7 MHz
Sensitivity (Attenuation)	Fo - 10 MHz	Typ. 32 dBc	35 dBc
	Fo + 10 MHz	Typ. 26 dBc	29 dBc
	Fo - ( )MHz	Typ. dBc	dBc
	Fo +( )MHz	Typ. dBc	dBc
Return Loss		Min. 12 dB	24.9 dB
Ripple		< 1 dB	dB
Impedance		In / Out : 50 Ω	In / Out : 50 Ω
(4) Torque for Tuning Screw		> 100gf · cm	

(5) Temperature Condition:	
Operating Temperature	0°C ~ +60°C
Storage Temperature	-20°C ~ +70°C
(6) Input Power	> 1Watt



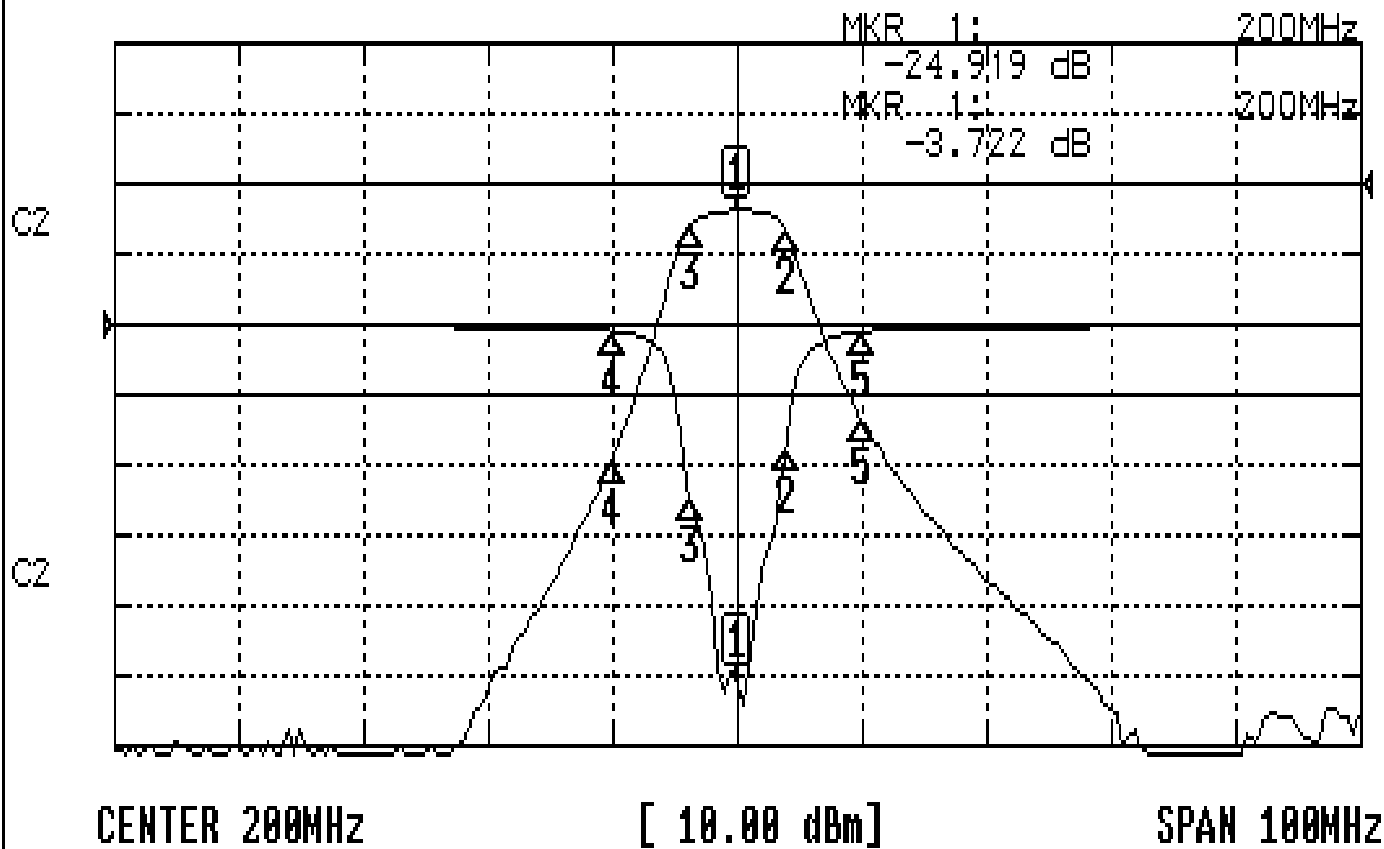
Approval	Supervisor	Designer	Aperture size
C.Y.Chang	C.S.Chang	P.H.Chiang	7H4(4*5.5F)(4.0B) 7H024LB4

TEMWELL CORPORATION

# Performance-TF8929B1-200M

## 0801037EA

CH1 S11 LOG MAG REF 0.000 dB 5.000 dB/  
CH2 S21 LOG MAG REF 0.000 dB 10.000 dB/



### CH1 MARKER LIST

Marker	Frequency (MHz)	Magnitude (dB)
1	200.000	-24.919
2	203.916	-8.446
3	196.250	-12.560
4	190.000	-0.483
5	210.000	-0.512

### CH2 MARKER LIST

Marker	Frequency (MHz)	Magnitude (dB)
1	200.000	-3.722
2	203.916	-0.751
3	196.250	-0.849
4	190.000	-0.179
5	210.000	-0.354