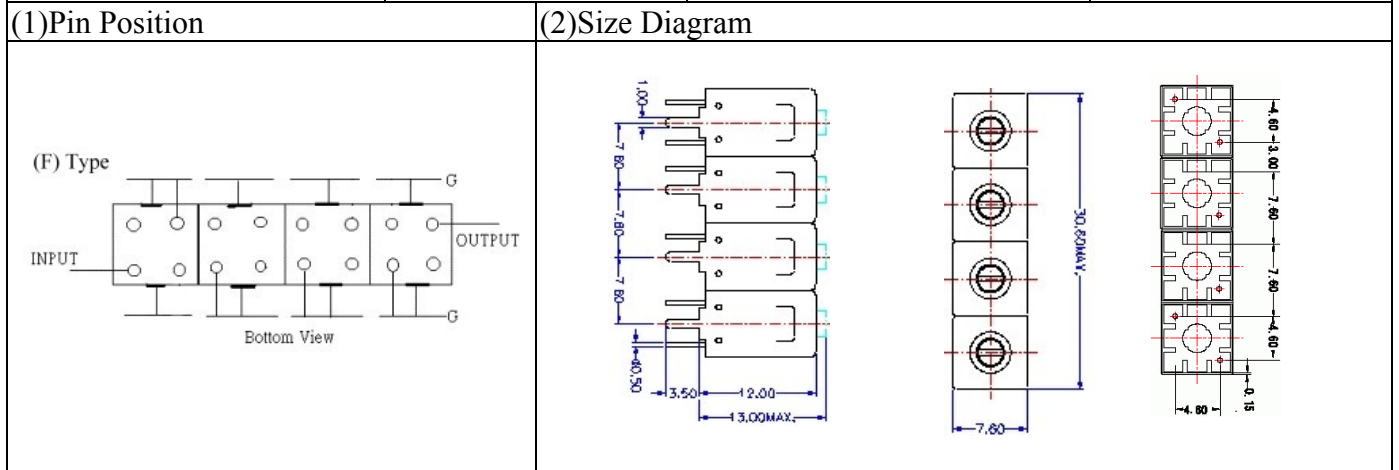
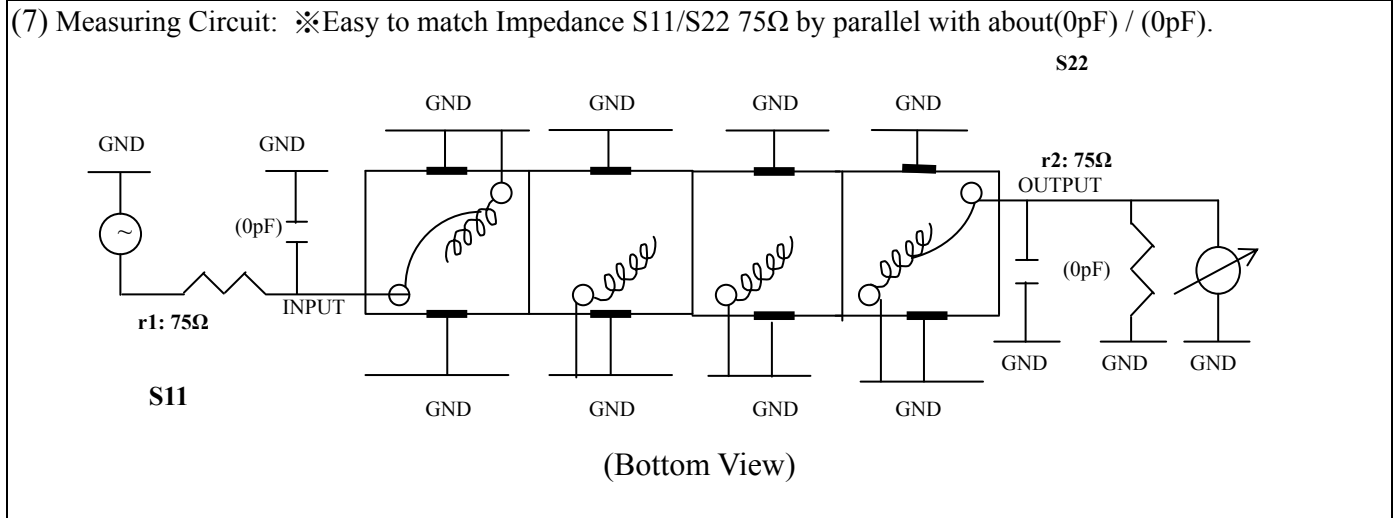


VHF UHF Helical Filter Specification Sheet

Customer Name		Temwell's Part No.	TFL64149F-411.25M
Approval No. /dated	0910153CD	Temwell's print name.	64149F 411.25M
Work Instruction No.	200910153CD	Date	Nov.12.2009



(3) Electric Characteristic			
Item	Specify	Performance	
Center Freq.(Fo) +/- 0.5 %	411.25 MHz	411.25 MHz	
Insertion Loss	Typ. 5.0 dB	4.38 dB	
-3 dB Bandwidth	Typ. 8 MHz	11.8 MHz	
Sensitivity (Attenuation)	Fo - (9) MHz	Typ. 15 dB	18 dB
	Fo + (9) MHz	Typ. 15 dB	18 dB
	Fo - () MHz	Typ. dBc	dBc
	Fo + () MHz	Typ. dBc	dBc
Return Loss	Min. 12 dB	18.4 dB	
Ripple	< 1 dB	dB	
Impedance	In / Out : 75 Ω	In / Out : 75 Ω	
(4) Torque for Tuning Screw			
> 100gf · cm			
(5) Temperature Condition:			
Operating Temperature	0°C ~ +60°C		
Storage Temperature	-20°C ~ +70°C		
(6) Input Power			
> 1Watt			



Approval	Supervisor	Designer	Aperture size
C.Y.Chang	C.K.Chang	C.S.Chang	7H4S(4*5.5)(5.56) 7H046RB4

TEMWELL CORPORATION

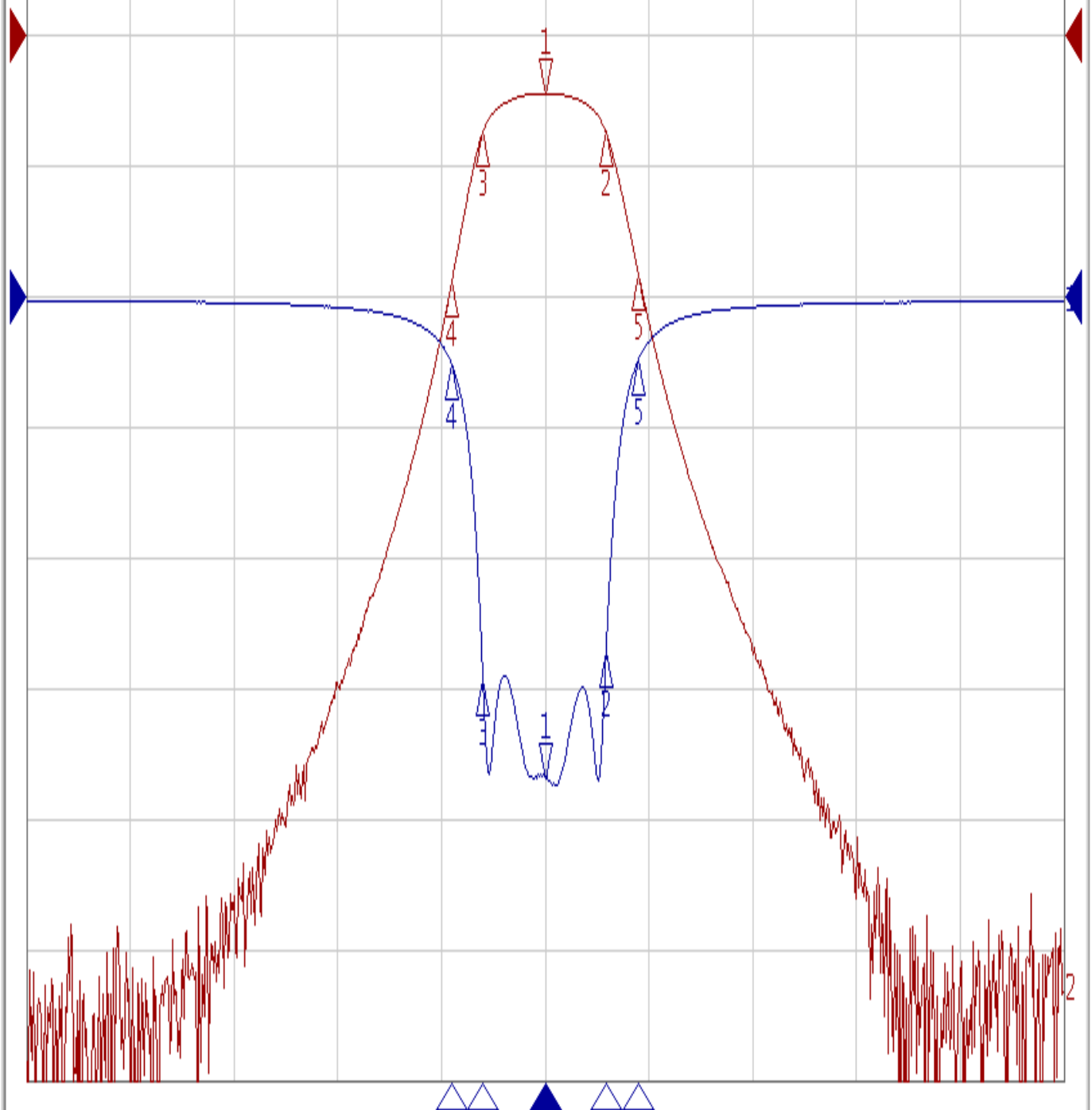
Performance-TFL64149F-411.25M

200910153CD

▶ Tr1 S11 Log Mag 5.000dB/ Ref 0.000dB [F2]
Tr2 S21 Log Mag 10.00dB/ Ref 0.000dB [F2]

1	411.25000 MHz	-4.3894 dB
2	417.09800 MHz	-7.3728 dB
3	405.27500 MHz	-7.3540 dB
4	402.25000 MHz	-18.792 dB
5	420.25000 MHz	-18.238 dB

>1	411.25000 MHz	-18.411 dB
2	417.09800 MHz	-13.633 dB
3	405.27500 MHz	-14.711 dB
4	402.25000 MHz	-2.5518 dB
5	420.25000 MHz	-2.4070 dB



1 Center 411.25 MHz

IFBW 10 kHz

Span 100 MHz Cor !