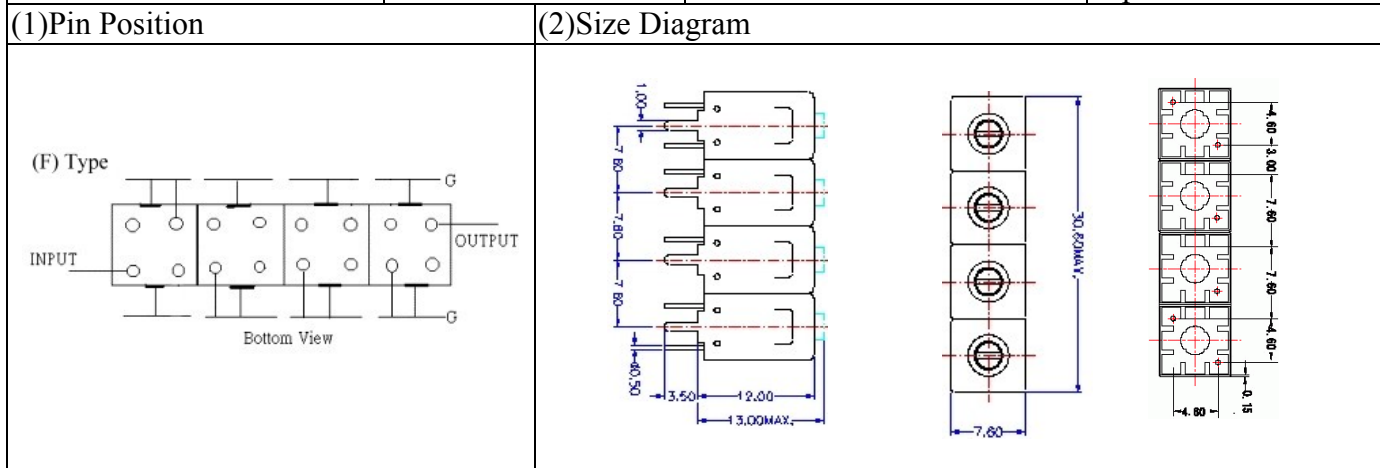


VHF UHF Helical Filter Specification Sheet

Customer Name		Temwell's Part No.	TFL6424F-533M
Approval No. /dated	0909003CD	Customer's Print Name.	6424F 533M
Work Instruction No.	200909003CD	Date	Sep.17.2009



(3) Electric Characteristic

Item	Specify	Performance
Center Freq.(Fo) +/- 0.5 %	533 MHz	533 MHz
Insertion Loss	Typ. 5.5 dB	4.54 dB
-3 dB Bandwidth	Typ. 8 MHz	10.7 MHz
Sensitivity (Attenuation)	Fo - (9) MHz	Typ. 18 dB
	Fo + (9) MHz	Typ. 15 dB
	Fo - () MHz	Typ. dB
	Fo + () MHz	Typ. dB
Return Loss	Min. 12 dB	21.4 dB
Ripple	< 1 dB	dB
Impedance	In / Out : 75 Ω	In / Out : 75 Ω

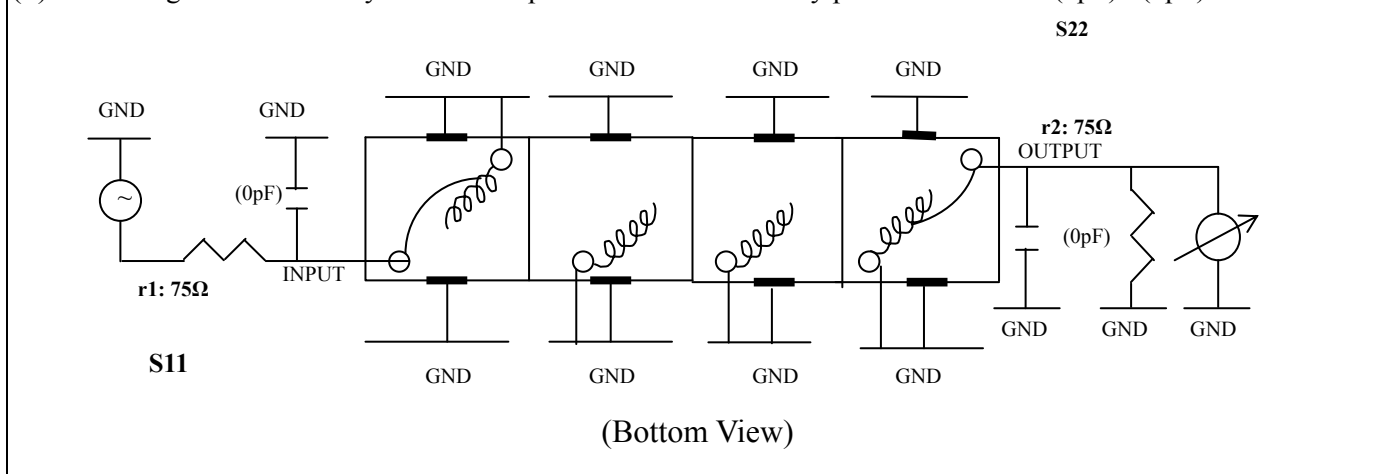
(4) Torque for Tuning Screw > 100gf · cm

(5) Temperature Condition:

Operating Temperature	0°C ~ +60°C
Storage Temperature	-20°C ~ +70°C

(6) Input Power > 1Watt

(7) Measuring Circuit: ※Easy to match Impedance S11/S22 75Ω by parallel with about(0pF) / (0pF).



Approval C.Y.Chang	Supervisor C.K.Chang	Designer C.S.Chang	Aperture size 7H4S(4*4.65F)(4.72) 7H046LB4.3 聚 3
-----------------------	-------------------------	-----------------------	--

TEMWELL CORPORATION

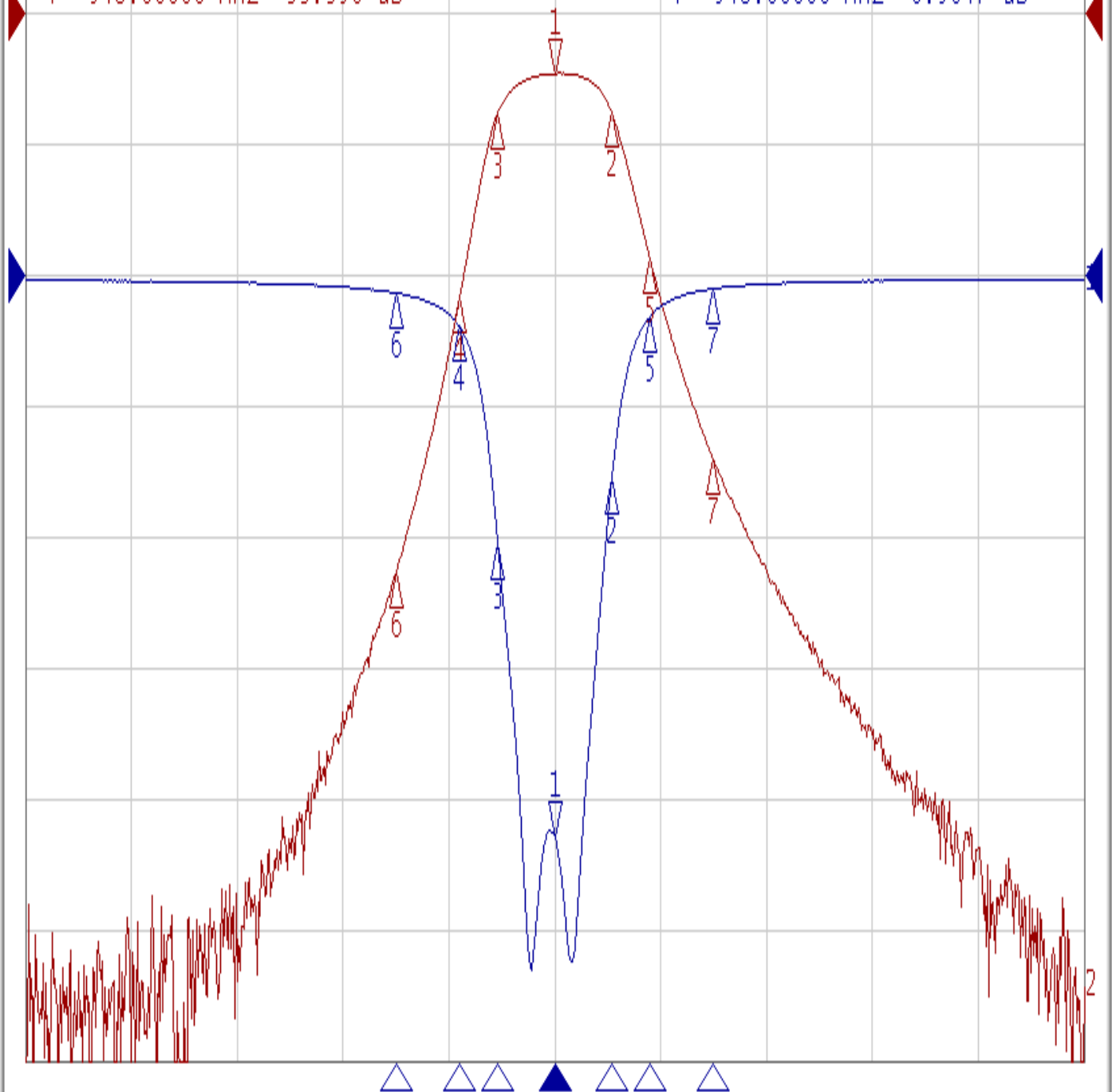
Performance-TFL6424F-533M

200909003CD

Tr1 S11 Log Mag 5.000dB/ Ref 0.000dB [F2]
Tr2 S21 Log Mag 10.00dB/ Ref 0.000dB [F2]

1	533.00000	MHz	-4.5464	dB
2	538.37575	MHz	-7.5381	dB
3	527.64500	MHz	-7.5848	dB
4	524.00000	MHz	-21.723	dB
5	542.00000	MHz	-18.642	dB
6	518.00000	MHz	-42.769	dB
7	548.00000	MHz	-33.950	dB

>1	533.00000	MHz	-21.484	dB
2	538.37575	MHz	-7.7155	dB
3	527.64500	MHz	-10.235	dB
4	524.00000	MHz	-1.9478	dB
5	542.00000	MHz	-1.5609	dB
6	518.00000	MHz	-0.6644	dB
7	548.00000	MHz	-0.5047	dB



1 Center 533 MHz

IFBW 10 kHz

Span 100 MHz Cor !