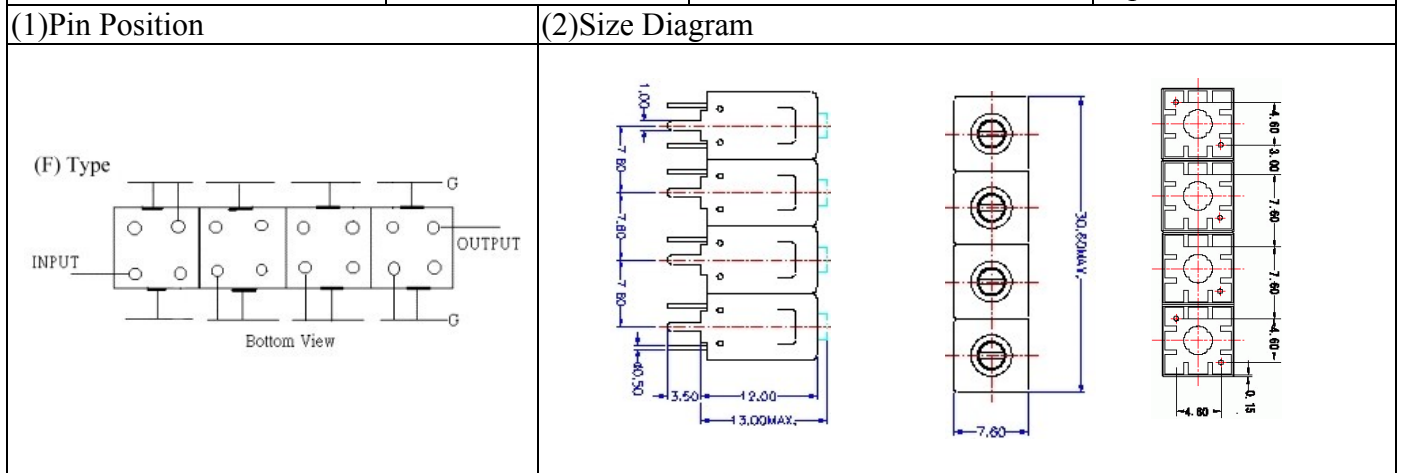


VHF UHF Helical Filter Specification Sheet

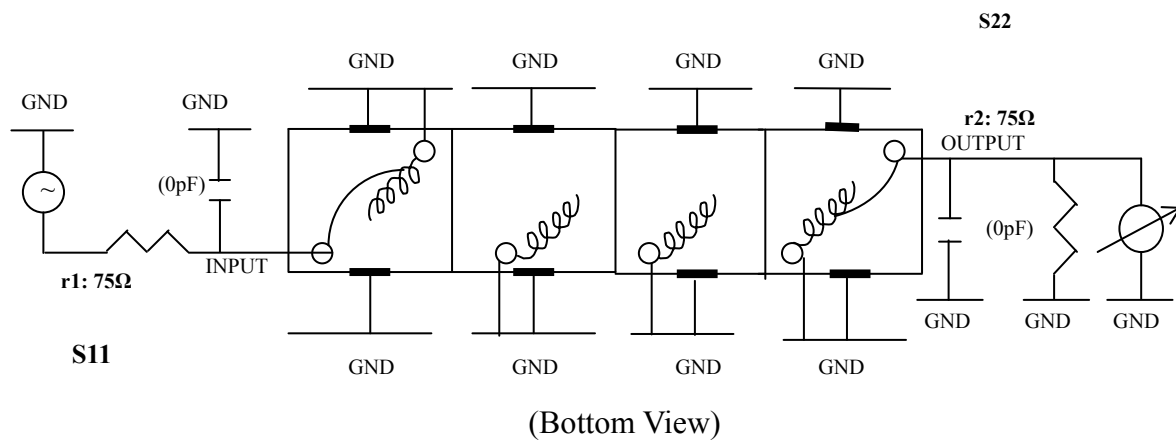
Customer Name		Temwell's Part No.	TFL64250F-61.25M
Approval No. /dated	0909043CD	Customer's Print Name.	64250F 61.25M
Work Instruction No.	200909043CD	Date	Sep.28.2009



(3) Electric Characteristic

Item	Specify	Performance	
Center Freq.(Fo) +/- 0.5 %	61.25 MHz	61.25 MHz	
Insertion Loss	Typ. 3.5 dB	2.59 dB	
-3 dB Bandwidth	Typ. 8 MHz	9.8 MHz	
Sensitivity (Attenuation)	Fo - (9) MHz	Typ. 29 dB	32 dB
	Fo + (9) MHz	Typ. 22 dB	25 dB
	Fo - () MHz	Typ. dB	dB
	Fo + () MHz	Typ. dB	dB
Return Loss	Min. 12 dB	17.8 dB	
Ripple	< 1 dB	dB	
Impedance	In / Out : 75 Ω	In / Out : 75 Ω	
(4) Torque for Tuning Screw	> 100gf • cm		
(5) Temperature Condition:			
Operating Temperature	0°C ~ +60°C		
Storage Temperature	-20°C ~ +70°C		
(6) Input Power	> 1Watt		

(7) Measuring Circuit: ※Easy to match Impedance S11/S22 75Ω by parallel with about(0pF) / (0pF).



Approval	Supervisor	Designer	Aperture size
C.Y.Chang	C.K.Chang	C.S.Chang	7H4S(4*6.5F)(6.58) 7H00LB6

TEMWELL CORPORATION

TEMWELL

Form10-7H4F Vision D

RP:(C.S.C)

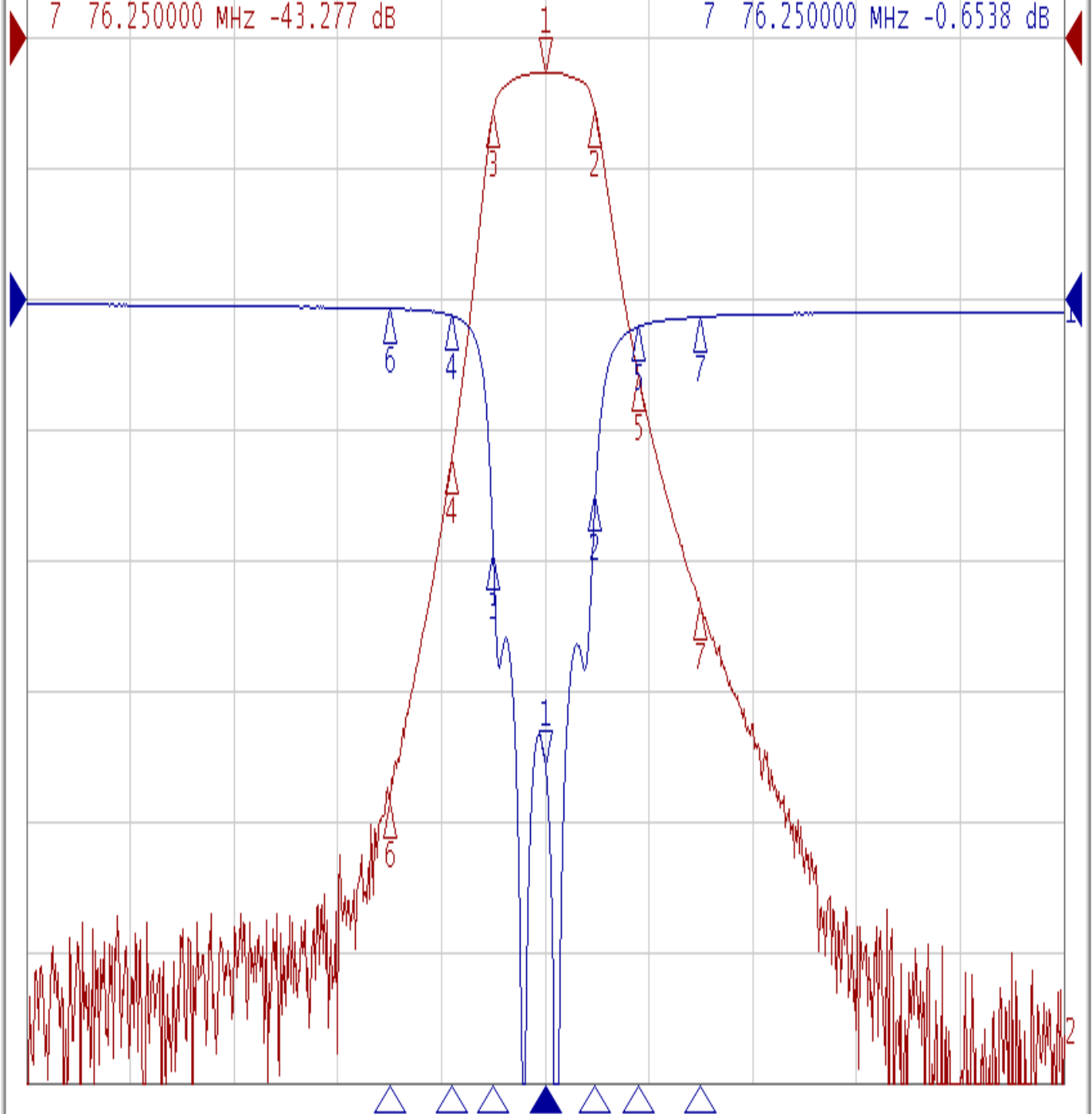
Performance-TFL64250F-61.25M

200909043CD

Tr1 S11 Log Mag 5.000dB/ Ref 0.000dB [F2]
Tr2 S21 Log Mag 10.00dB/ Ref 0.000dB [F2]

1	61.250000	MHz	-2.5994	dB
2	66.058000	MHz	-5.5632	dB
3	56.278000	MHz	-5.5793	dB
4	52.250000	MHz	-32.213	dB
5	70.250000	MHz	-25.850	dB
6	46.250000	MHz	-58.526	dB
7	76.250000	MHz	-43.277	dB

>1	61.250000	MHz	-17.842	dB
2	66.058000	MHz	-7.4655	dB
3	56.278000	MHz	-9.7984	dB
4	52.250000	MHz	-0.6141	dB
5	70.250000	MHz	-1.0284	dB
6	46.250000	MHz	-0.3391	dB
7	76.250000	MHz	-0.6538	dB



1 Center 61.25 MHz

IFBW 10 kHz

Span 100 MHz Cor !