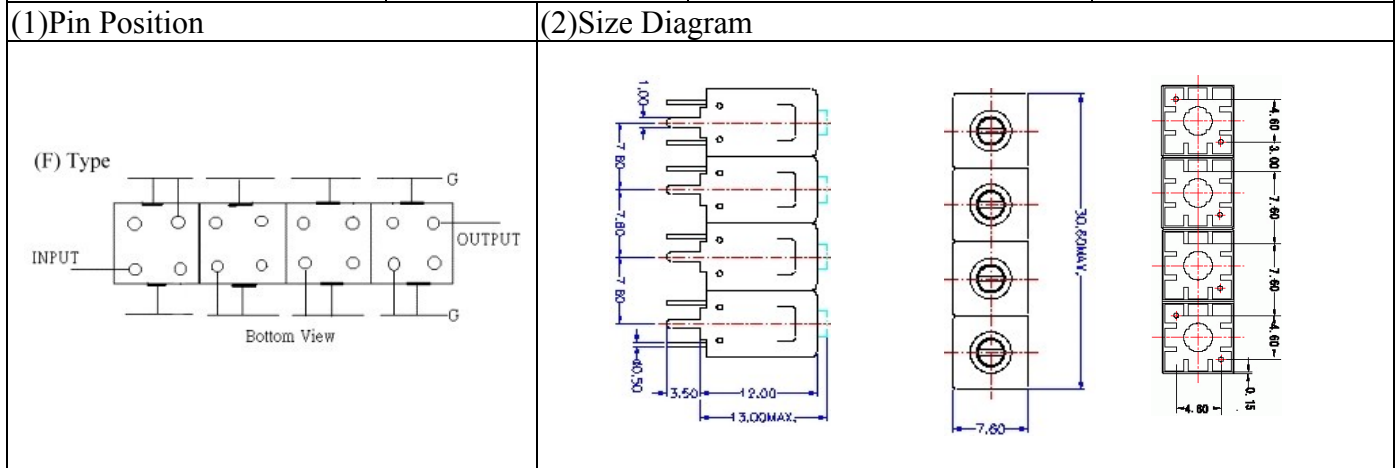


VHF UHF Helical Filter Specification Sheet

Customer Name		Temwell's Part No.	TFL64251F-67.25M
Approval No. /dated	0810130CD	Temwell's Print name	64251F 67.25M
Work Instruction No.	200810130CD	Date	Oct.23.2008



(3) Electric Characteristic

Item	Specify	Performance
Center Freq.(Fo) +/- 0.5 %	67.25 MHz	67.25 MHz
Insertion Loss	Typ. 4.0 dB	2.98 dB
-3 dB Bandwidth	Typ. 8 MHz	9.0 MHz
Sensitivity (Attenuation)	Fo - (15) MHz	Typ. 56 dB
	Fo + (15) MHz	Typ. 42 dB
	Fo - () MHz	Typ. dB
	Fo + () MHz	Typ. dB
Return Loss	Min. 12 dB	19.0 dB
Ripple	< 1 dB	dB
Impedance	In / Out : 75Ω	In / Out : 75 Ω

(4) Torque for Tuning Screw

> 100gf • cm

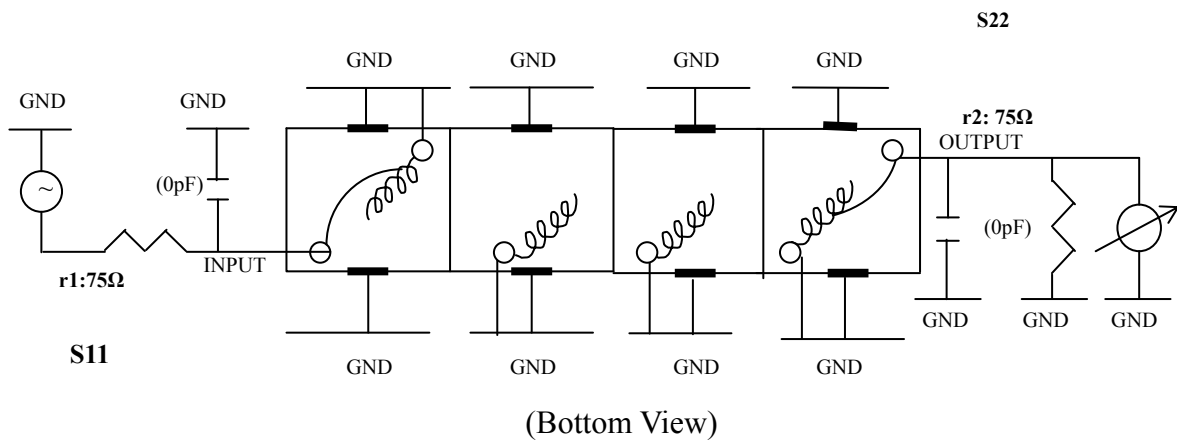
(5) Temperature Condition:

Operating Temperature	0°C ~ +60°C
Storage Temperature	-20°C ~ +70°C

(6) Input Power

> 1 Watt

(7) Measuring Circuit: ※Easy to match Impedance S11/S22 75Ω by parallel with about(0pF) / (0pF).

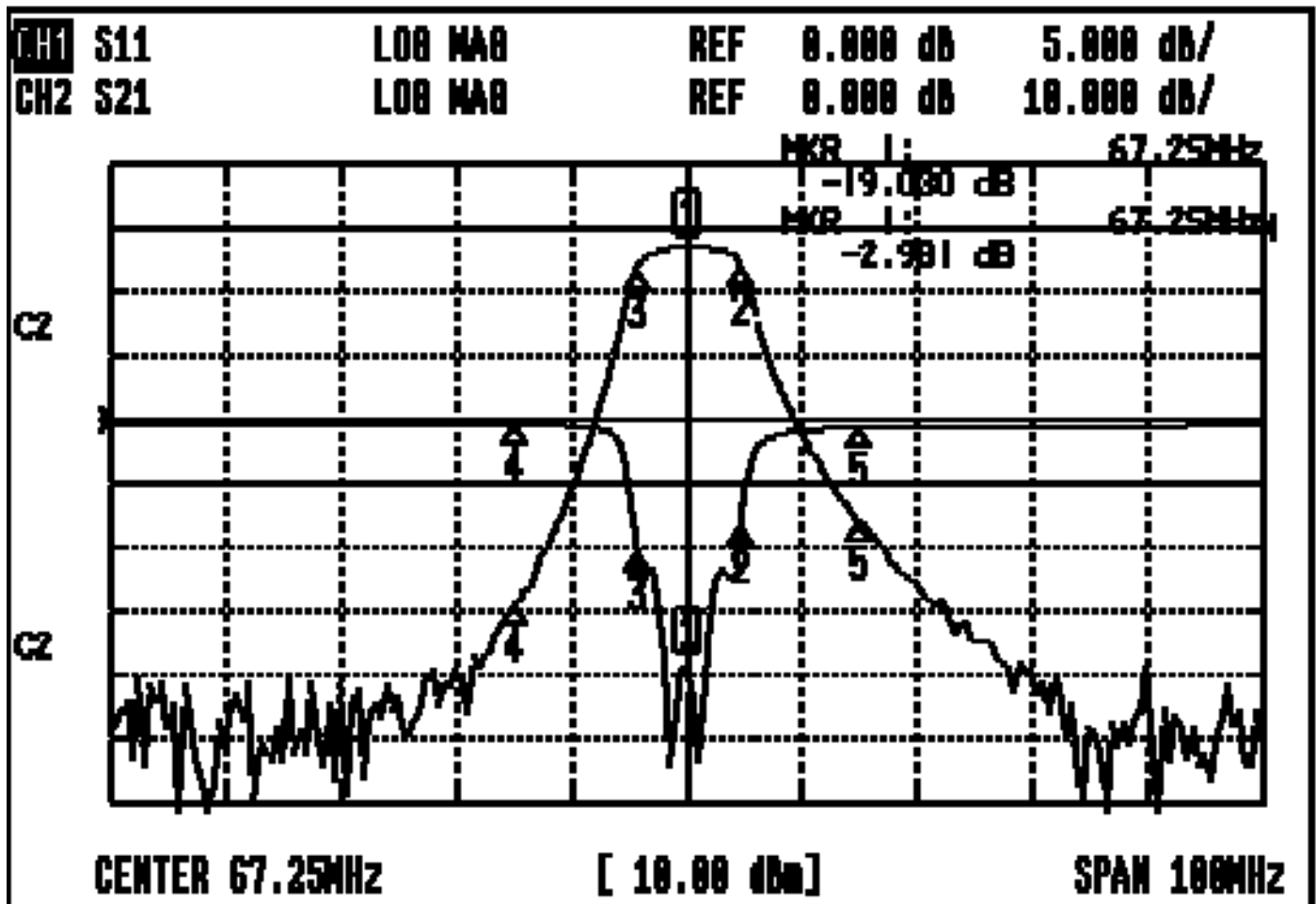


Approval	Supervisor	Designer	Aperture size
C.Y.Chang	C.S.Chang	P.H.Chiang	7H4(4*6.5F) 7H00LB6

TEMWELL CORPORATION

Performance-TFL64251F-67.25M

200810130CD



CH1 MARKER LIST

1	67.250MHz	-19.031 dB
2	71.916MHz	-8.098 dB
3	62.916MHz	-10.554 dB
4	52.250MHz	-0.326 dB
5	82.250MHz	-0.622 dB

CH2 MARKER LIST

1	67.250MHz	-2.930 dB
2	71.916MHz	-6.054 dB
3	62.916MHz	-6.077 dB
4	52.250MHz	-59.476 dB
5	82.250MHz	-45.731 dB