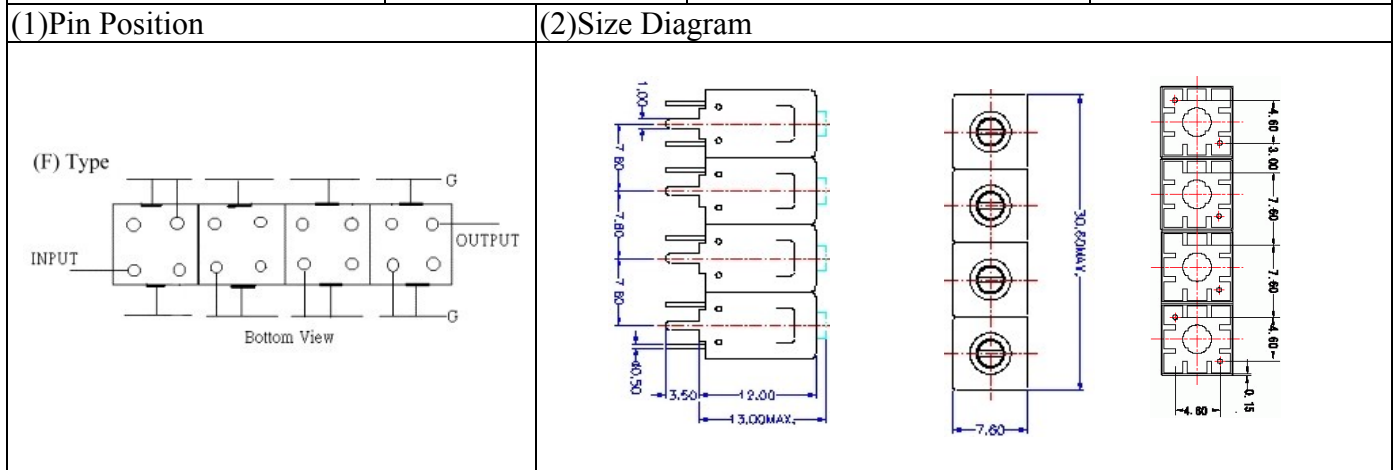
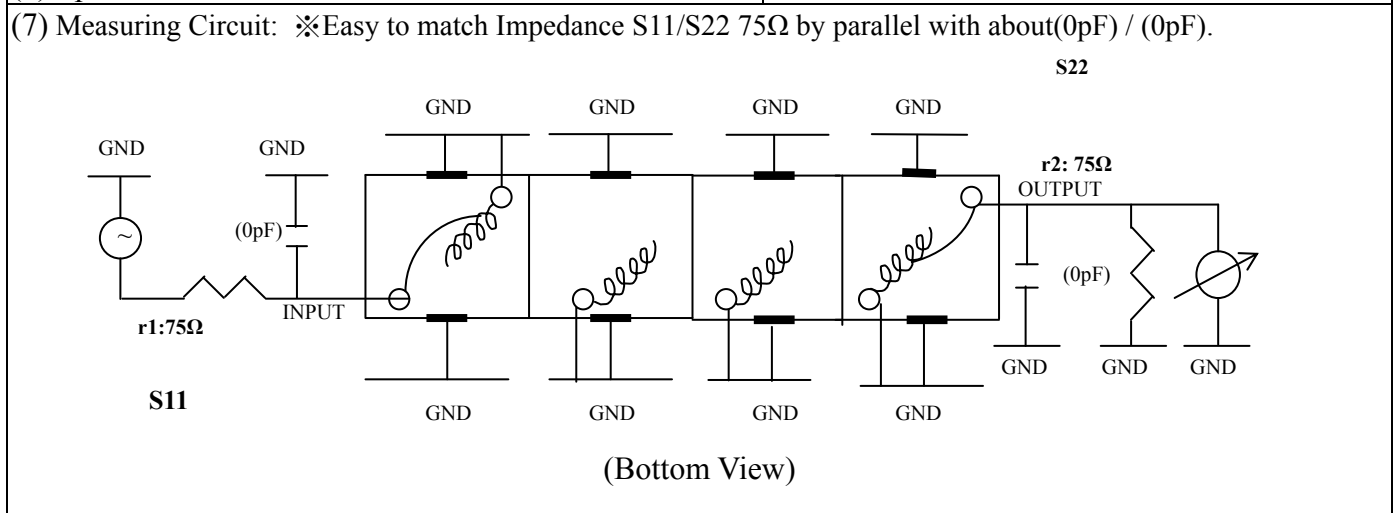


VHF UHF Helical Filter Specification Sheet

Customer Name		Temwell's Part No.	TFL64258F-199.25M
Approval No. /dated	0810137CD	Temwell's Print name	64258F 199.25M
Work Instruction No.	200810137CD	Date	Nov.18.2008



(3) Electric Characteristic		Specify	Performance
Item			
Center Freq.(Fo) +/- 0.5 %		199.25 MHz	199.25 MHz
Insertion Loss		Typ. 4.0 dB	3.14 dB
-3 dB Bandwidth		Typ. 8 MHz	10.1 MHz
Sensitivity (Attenuation)	Fo - (15) MHz	Typ. 44 dB	47 dB
	Fo + (15) MHz	Typ. 32 dB	35 dB
	Fo - () MHz	Typ. dB	dB
	Fo + () MHz	Typ. dB	dB
Return Loss		Min. 12 dB	28.4 dB
Ripple		< 1 dB	dB
Impedance		In / Out : 75Ω	In / Out : 75 Ω
(4) Torque for Tuning Screw		> 100gf · cm	
(5) Temperature Condition:			
Operating Temperature		0°C ~ +60°C	
Storage Temperature		-20°C ~ +70°C	
(6) Input Power		> 1Watt	

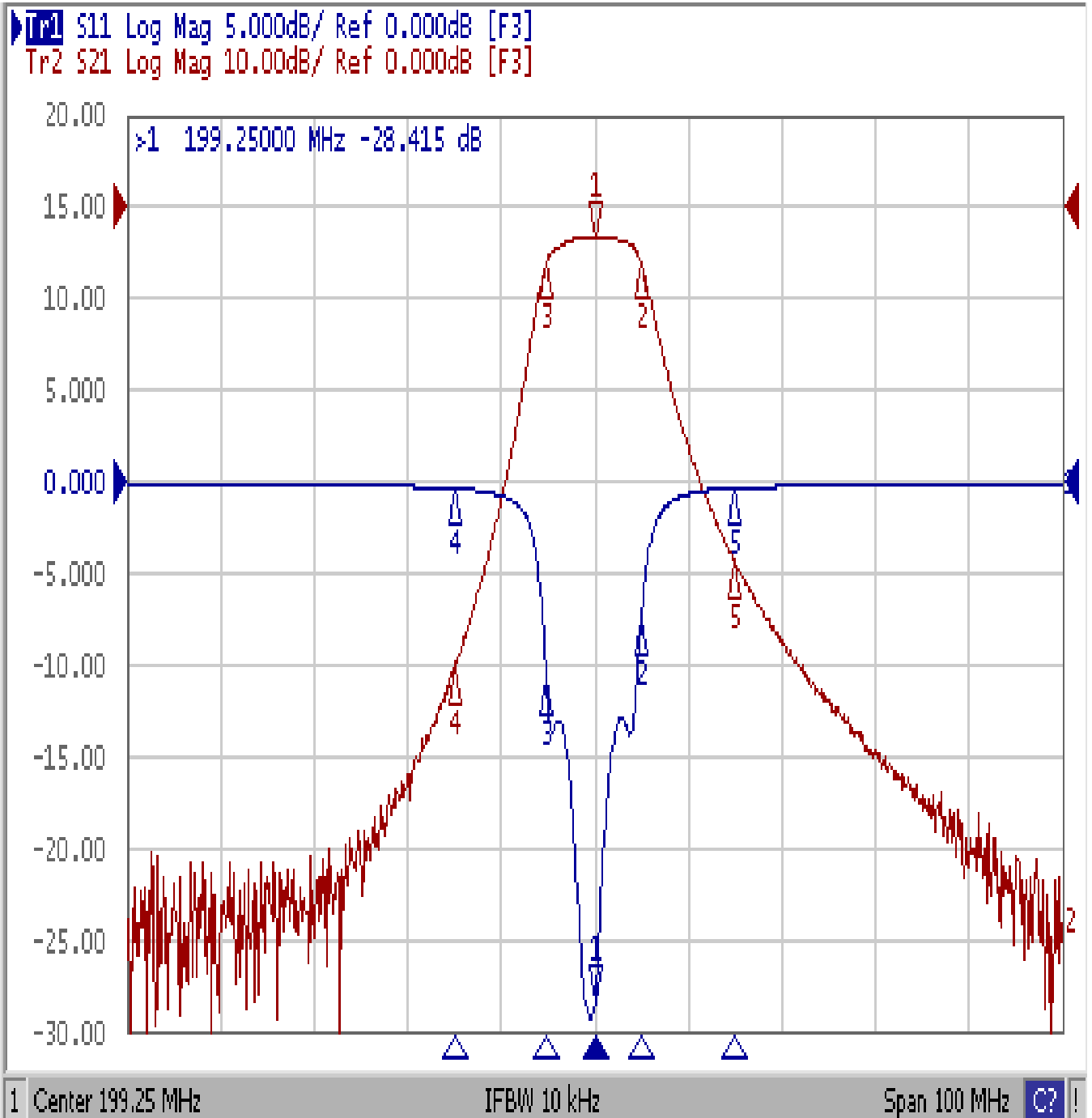


Approval	Supervisor	Designer	Aperture size
C.Y.Chang	C.S.Chang	C.S.Chang	7H4S(4*6.5F) 7H024LB4

TEMWELL CORPORATION

Performance-TFL64258F-199.25M

200810137CD



Ch1	Tr1	S11	>1	199.25000 MHz	-28.415 dB
Ch1	Tr1	S11	2	204.19375 MHz	-7.5685 dB
Ch1	Tr1	S11	3	194.06500 MHz	-10.821 dB
Ch1	Tr1	S11	4	184.25000 MHz	-0.3655 dB
Ch1	Tr1	S11	5	214.25000 MHz	-0.3473 dB
Ch1	Tr2	S21	1	199.25000 MHz	-3.1455 dB
Ch1	Tr2	S21	2	204.19375 MHz	-6.1634 dB
Ch1	Tr2	S21	3	194.06500 MHz	-6.1851 dB
Ch1	Tr2	S21	4	184.25000 MHz	-50.379 dB
Ch1	Tr2	S21	5	214.25000 MHz	-38.709 dB