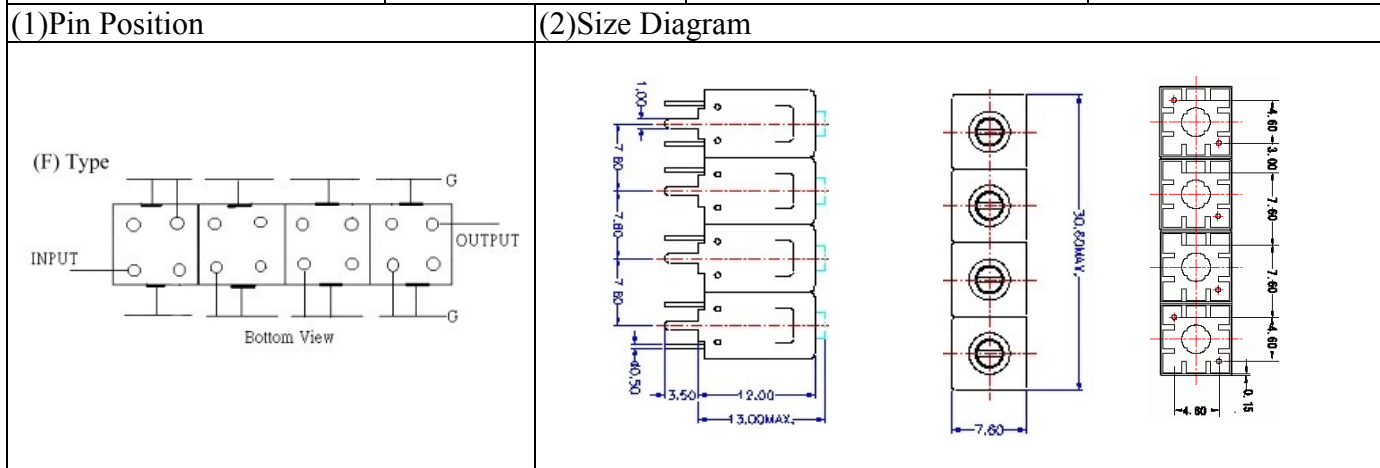


VHF UHF Helical Filter Specification Sheet

Customer Name		Temwell's Part No.	TFL64259F-205.25M
Approval No. /dated	0810138CD	Temwell's Print name	64259F 205.25M
Work Instruction No.	200810138CD	Date	Nov.18.2008



(3) Electric Characteristic

Item	Specify	Performance	
Center Freq.(Fo) +/- 0.5 %	205.25 MHz	205.25 MHz	
Insertion Loss	Typ. 4.0 dB	2.91 dB	
-3 dB Bandwidth	Typ. 8 MHz	10.5 MHz	
Sensitivity (Attenuation)	Fo - (15) MHz	Typ. 43 dB	46 dB
	Fo + (15) MHz	Typ. 31 dB	34 dB
	Fo - () MHz	Typ. dB	dB
	Fo + () MHz	Typ. dB	dB
Return Loss	Min. 12 dB	30.7 dB	
Ripple	< 1 dB	dB	
Impedance	In / Out : 75Ω	In / Out : 75 Ω	

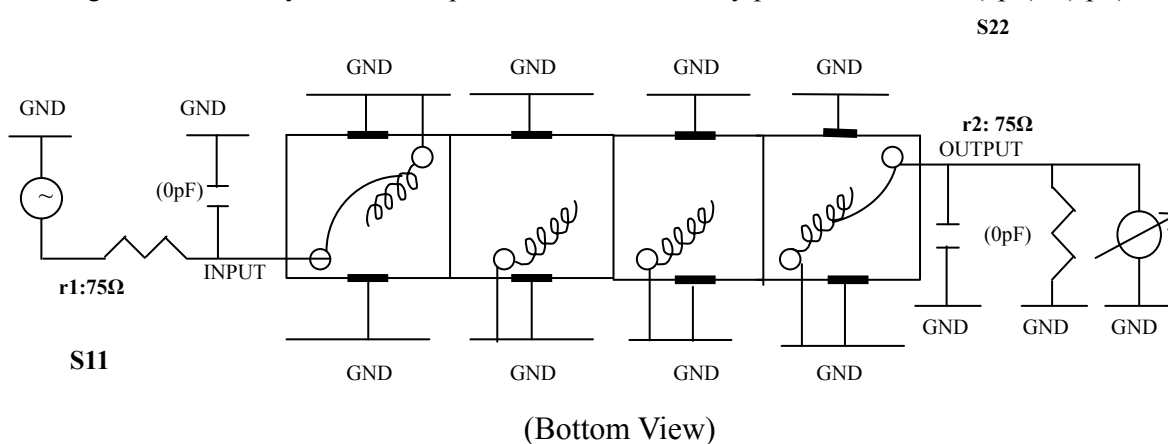
(4) Torque for Tuning Screw > 100gf • cm

(5) Temperature Condition:

Operating Temperature	0°C ~ +60°C
Storage Temperature	-20°C ~ +70°C

(6) Input Power > 1Watt

(7) Measuring Circuit: ※Easy to match Impedance S11/S22 75Ω by parallel with about(0pF) / (0pF).

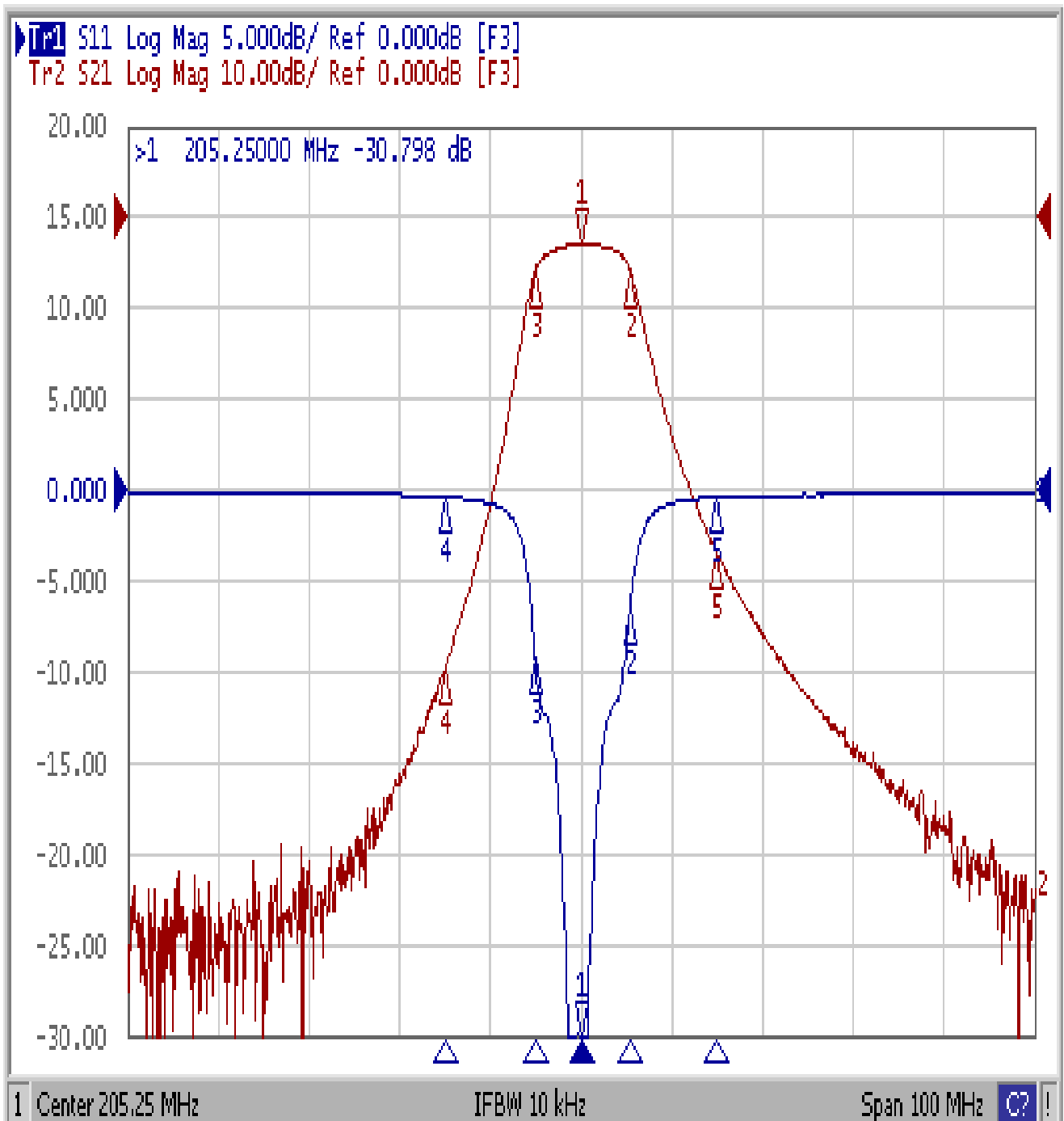


Approval C.Y.Chang	Supervisor C.S.Chang	Designer C.S.Chang	Aperture size 7H4S(4*6.5F) 7H024LB4
-----------------------	-------------------------	-----------------------	---

TEMWELL CORPORATION

Performance-TFL64259F-205.25M

200810138CD



Ch1	Tr1	S11	>1	205.25000 MHz	-30.798 dB
Ch1	Tr1	S11	2	210.64600 MHz	-6.4634 dB
Ch1	Tr1	S11	3	200.18300 MHz	-9.2279 dB
Ch1	Tr1	S11	4	190.25000 MHz	-0.3843 dB
Ch1	Tr1	S11	5	220.25000 MHz	-0.3852 dB
Ch1	Tr2	S21	1	205.25000 MHz	-2.9123 dB
Ch1	Tr2	S21	2	210.64600 MHz	-5.8807 dB
Ch1	Tr2	S21	3	200.18300 MHz	-5.8944 dB
Ch1	Tr2	S21	4	190.25000 MHz	-49.739 dB
Ch1	Tr2	S21	5	220.25000 MHz	-37.025 dB