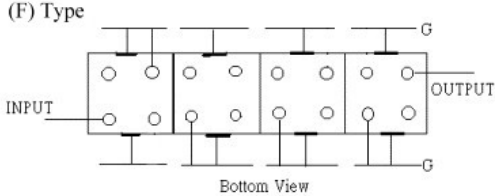
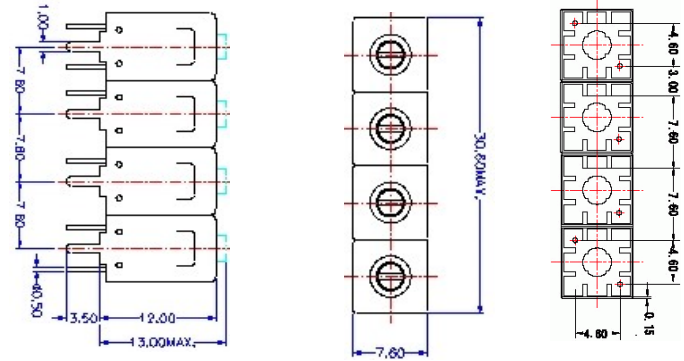


VHF UHF Helical Filter Specification Sheet

| | | | |
|----------------------|-------------|------------------------|---------------|
| Customer Name | | Temwell's Part No. | TFL6425F-545M |
| Approval No. /dated | 0909004CD | Customer's Print Name. | 6425F 545M |
| Work Instruction No. | 200909004CD | Date | Sep.07.2009 |

| | |
|---|--|
| (1) Pin Position | (2) Size Diagram |
|  <p>(F) Type Bottom View</p> |  |

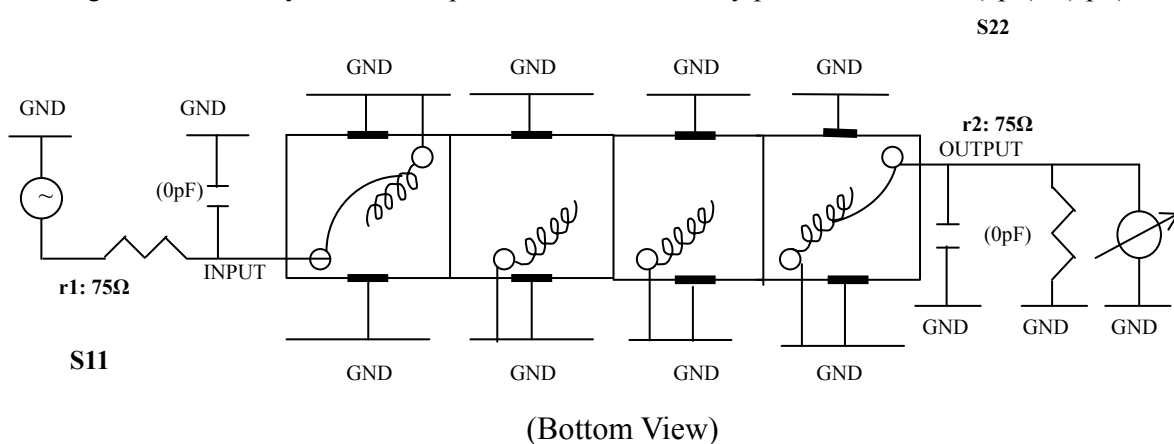
| (3) Electric Characteristic | | Specify | Performance |
|------------------------------|----------------|-----------------|-----------------|
| Item | | | |
| Center Freq.(Fo) +/- 0.5 % | | 545 MHz | 545 MHz |
| Insertion Loss | | Typ. 5.5 dB | 4.63 dB |
| -3 dB Bandwidth | | Typ. 8 MHz | 11.0 MHz |
| Sensitivity (Attenuation) | Fo - (9) MHz | Typ. 19 dB | 22 dB |
| | Fo + (9) MHz | Typ. 15 dB | 17 dB |
| | Fo - () MHz | Typ. dB | dB |
| | Fo + () MHz | Typ. dB | dB |
| Return Loss | | Min. 12 dB | 26.2 dB |
| Ripple | | < 1 dB | dB |
| Impedance | | In / Out : 75 Ω | In / Out : 75 Ω |

(4) Torque for Tuning Screw > 100gf • cm

(5) Temperature Condition:
 Operating Temperature 0°C ~ +60°C
 Storage Temperature -20°C ~ +70°C

(6) Input Power > 1Watt

(7) Measuring Circuit: ※Easy to match Impedance S11/S22 75Ω by parallel with about(0pF) / (0pF).



| | | | |
|-----------------------|-------------------------|-----------------------|--|
| Approval C.Y.Chang | Supervisor C.K.Chang | Designer C.S.Chang | Aperture size 7H4S(4*4.65F)(4.70) 7H046LB4.3 聚 3 |
|-----------------------|-------------------------|-----------------------|--|

TEMWELL CORPORATION

TEMWELL Form10-7H4F Vision D

RP:(C.S.C)

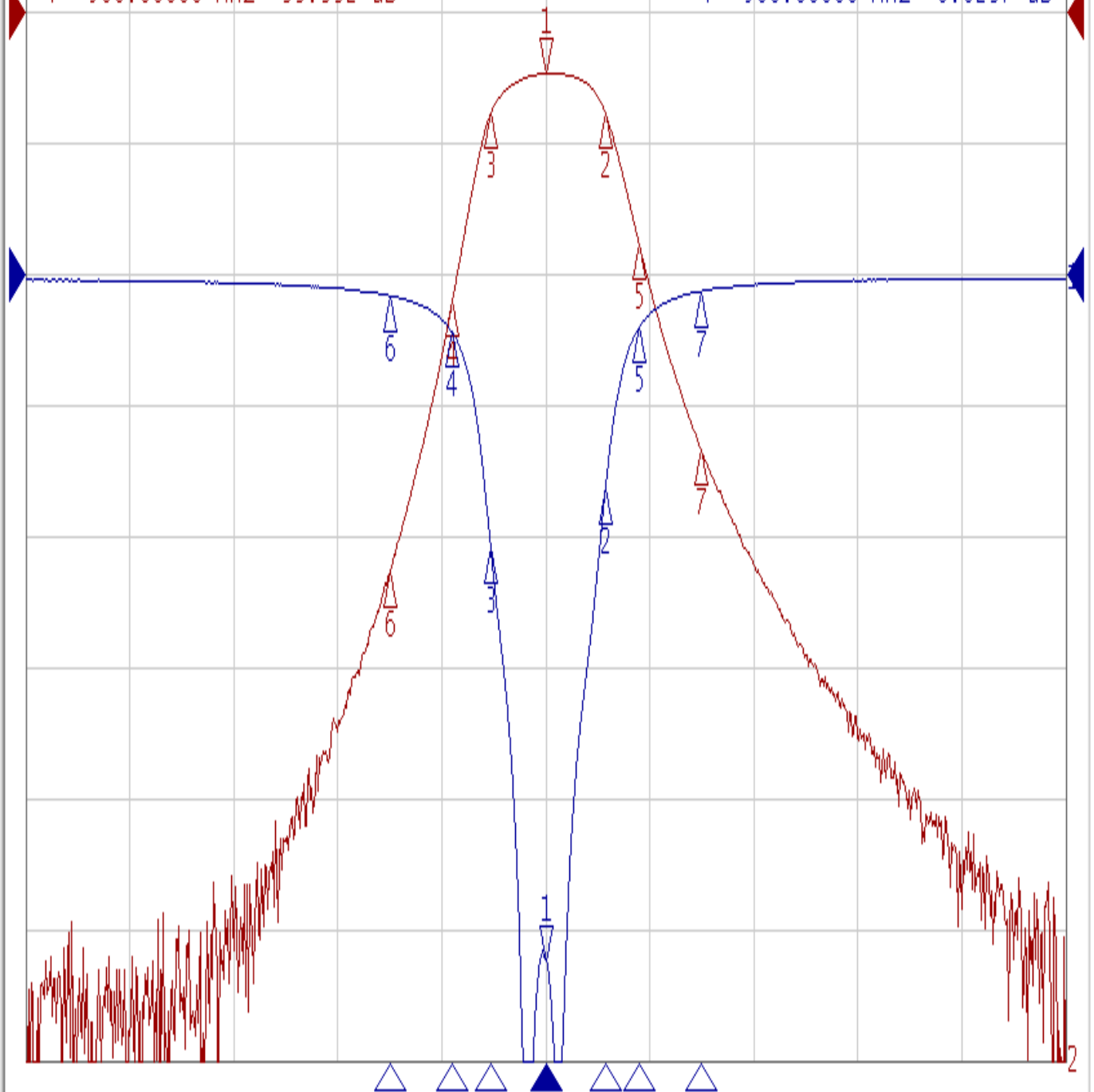
Performance-TFL6425F-545M

200909004CD

Tr1 S11 Log Mag 5.000dB/ Ref 0.000dB [F2]
Tr2 S21 Log Mag 10.00dB/ Ref 0.000dB [F2]

| | | | | |
|---|-----------|-----|---------|----|
| 1 | 545.00000 | MHz | -4.6300 | dB |
| 2 | 550.72300 | MHz | -7.6373 | dB |
| 3 | 539.74500 | MHz | -7.6790 | dB |
| 4 | 536.00000 | MHz | -22.064 | dB |
| 5 | 554.00000 | MHz | -17.676 | dB |
| 6 | 530.00000 | MHz | -42.652 | dB |
| 7 | 560.00000 | MHz | -33.332 | dB |

| | | | | |
|----|-----------|-----|---------|----|
| >1 | 545.00000 | MHz | -26.204 | dB |
| 2 | 550.72300 | MHz | -8.1318 | dB |
| 3 | 539.74500 | MHz | -10.454 | dB |
| 4 | 536.00000 | MHz | -2.1858 | dB |
| 5 | 554.00000 | MHz | -1.9955 | dB |
| 6 | 530.00000 | MHz | -0.7905 | dB |
| 7 | 560.00000 | MHz | -0.6237 | dB |



1 Center 545 MHz

IFBW 10 kHz

Span 100 MHz Cor !