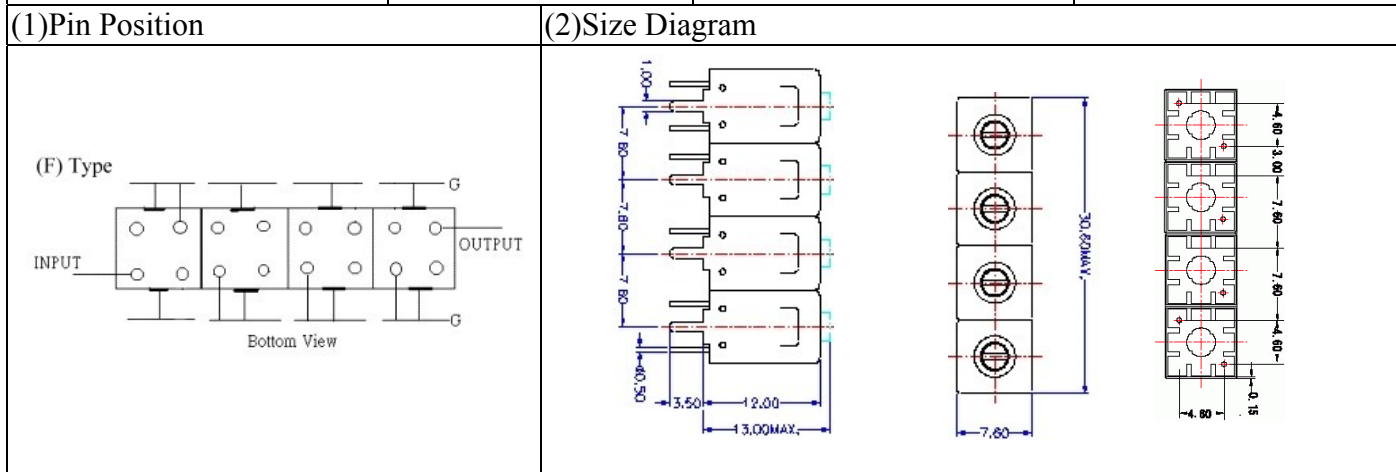
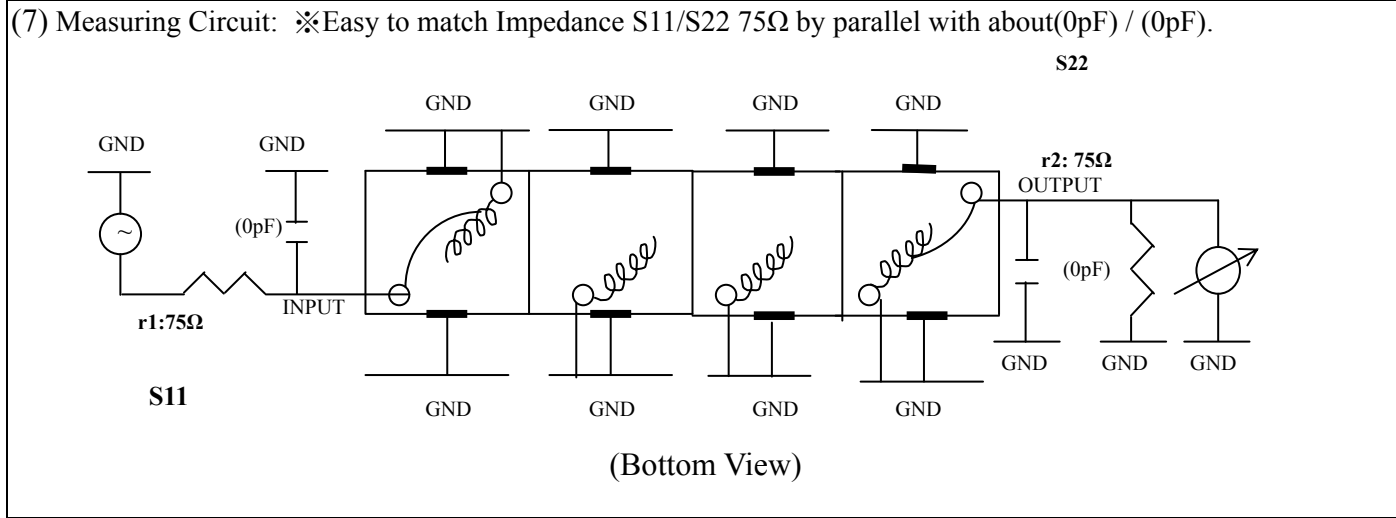


VHF UHF Helical Filter Specification Sheet

Customer Name		Temwell's Part No.	TFL64261F-471.25M
Approval No. /dated	0812107CD	Temwell's Print name	64261F 471.25M
Work Instruction No.	200812107CD	Date	Jan.05.2009



(3) Electric Characteristic			
Item		Specify	Performance
Center Freq.(Fo) +/- 0.5 %		471.25 MHz	471.25 MHz
Insertion Loss		Typ. 5.0 dB	4.13 dB
-3 dB Bandwidth		Typ. 8 MHz	11.5 MHz
Sensitivity (Attenuation)	Fo - (20) MHz	Typ. 44 dB	47 dB
	Fo + (20) MHz	Typ. 38 dB	41 dB
	Fo - () MHz	Typ. dB	dB
	Fo + () MHz	Typ. dB	dB
Return Loss		Min. 12 dB	44.65 dB
Ripple		< 1 dB	dB
Impedance		In / Out : 75 Ω	In / Out : 75 Ω
(4) Torque for Tuning Screw		> 100gf • cm	
(5) Temperature Condition:			
Operating Temperature		0°C ~ +60°C	
Storage Temperature		-20°C ~ +70°C	
(6) Input Power		> 1 Watt	

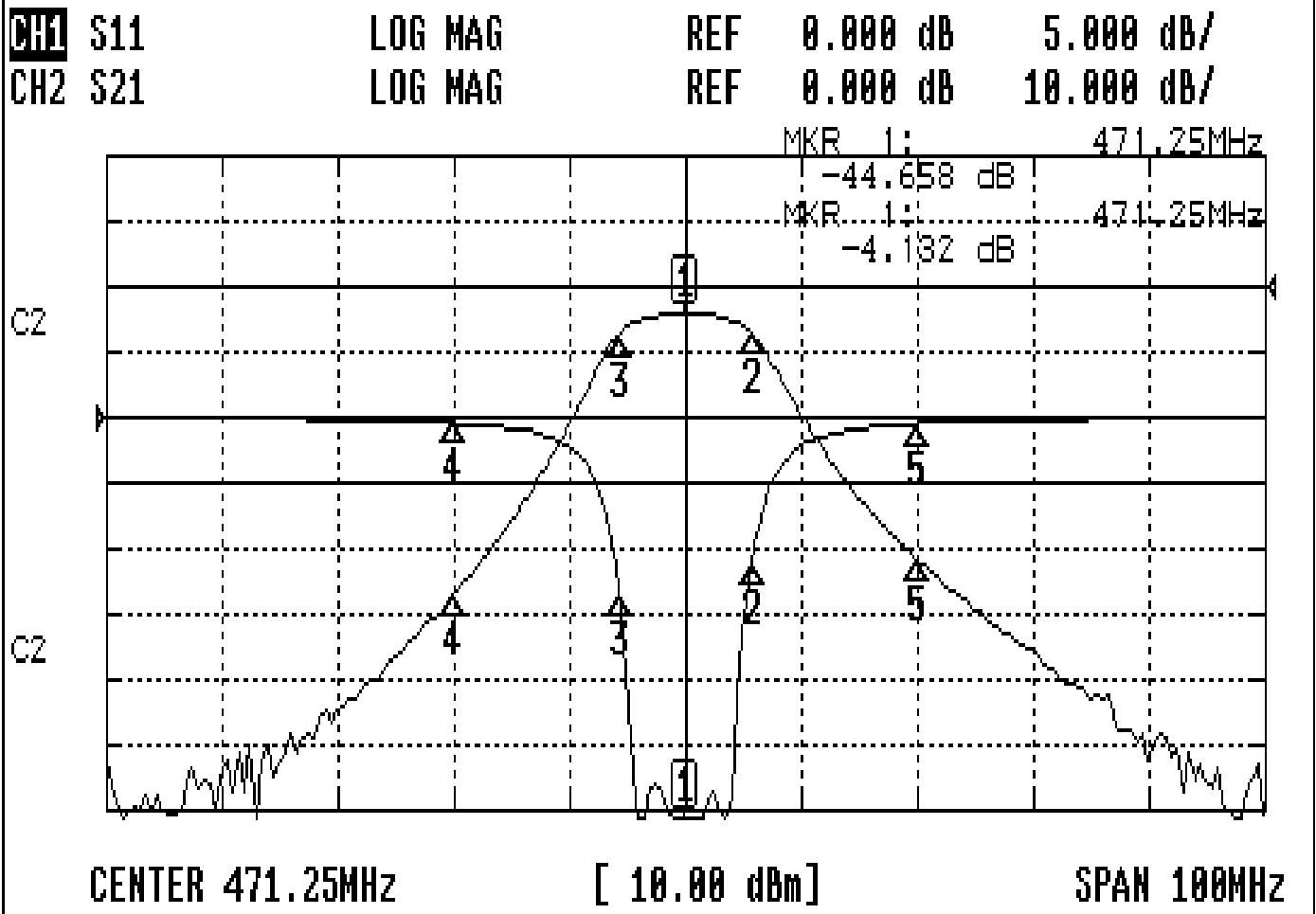


Approval	Supervisor	Designer	Aperture size
C.Y.Chang	C.S.Chang	W.W.Wang	7H4S(4*5.5)(5.57) 7H046RB4

TEMWELL CORPORATION

Performance-TFL64261F-471.25M

200812107CD



CH1 MARKER LIST

1	471.250MHz	-44.658 dB
2	477.000MHz	-11.187 dB
3	465.583MHz	-13.457 dB
4	451.250MHz	-0.419 dB
5	491.250MHz	-0.462 dB

CH2 MARKER LIST

1	471.250MHz	-4.132 dB
2	477.000MHz	-7.153 dB
3	465.583MHz	-7.103 dB
4	451.250MHz	-47.155 dB
5	491.250MHz	-41.724 dB