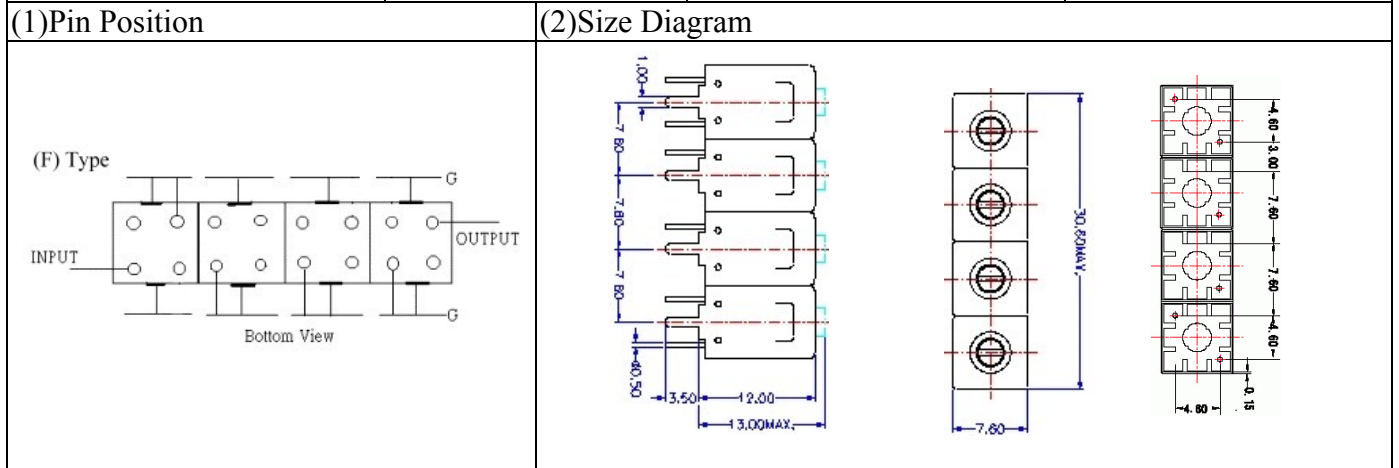
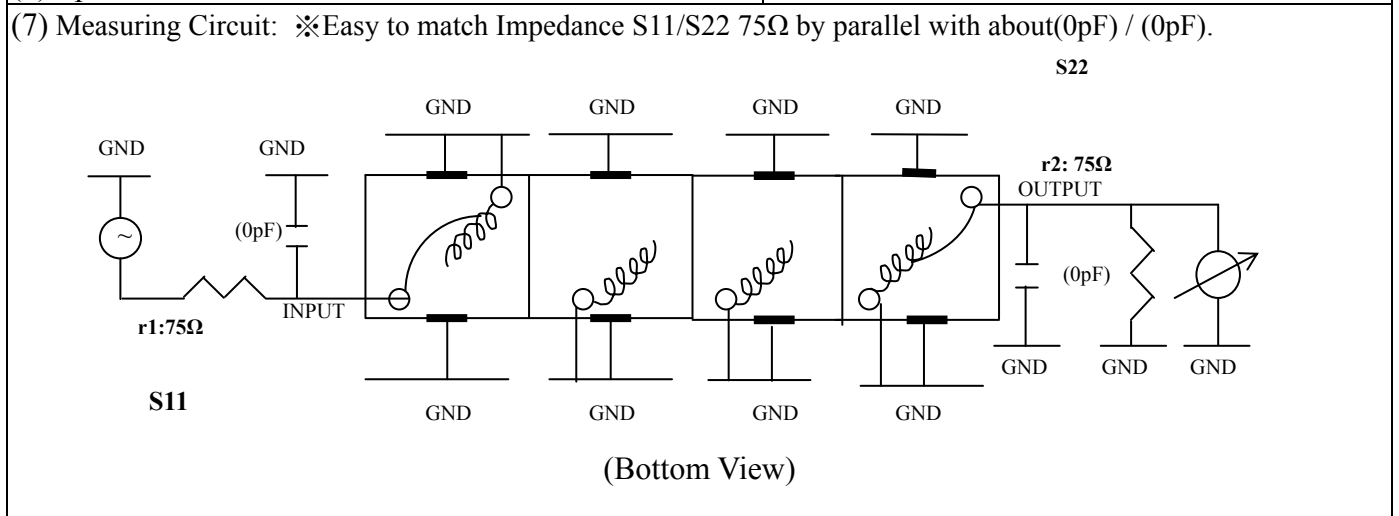


VHF UHF Helical Filter Specification Sheet

Customer Name		Temwell's Part No.	TFL64263F-483.25M
Approval No. /dated	0812109CD	Temwell's Print name	64263F 483.25M
Work Instruction No.	200812109CD	Date	Jan.05.2009



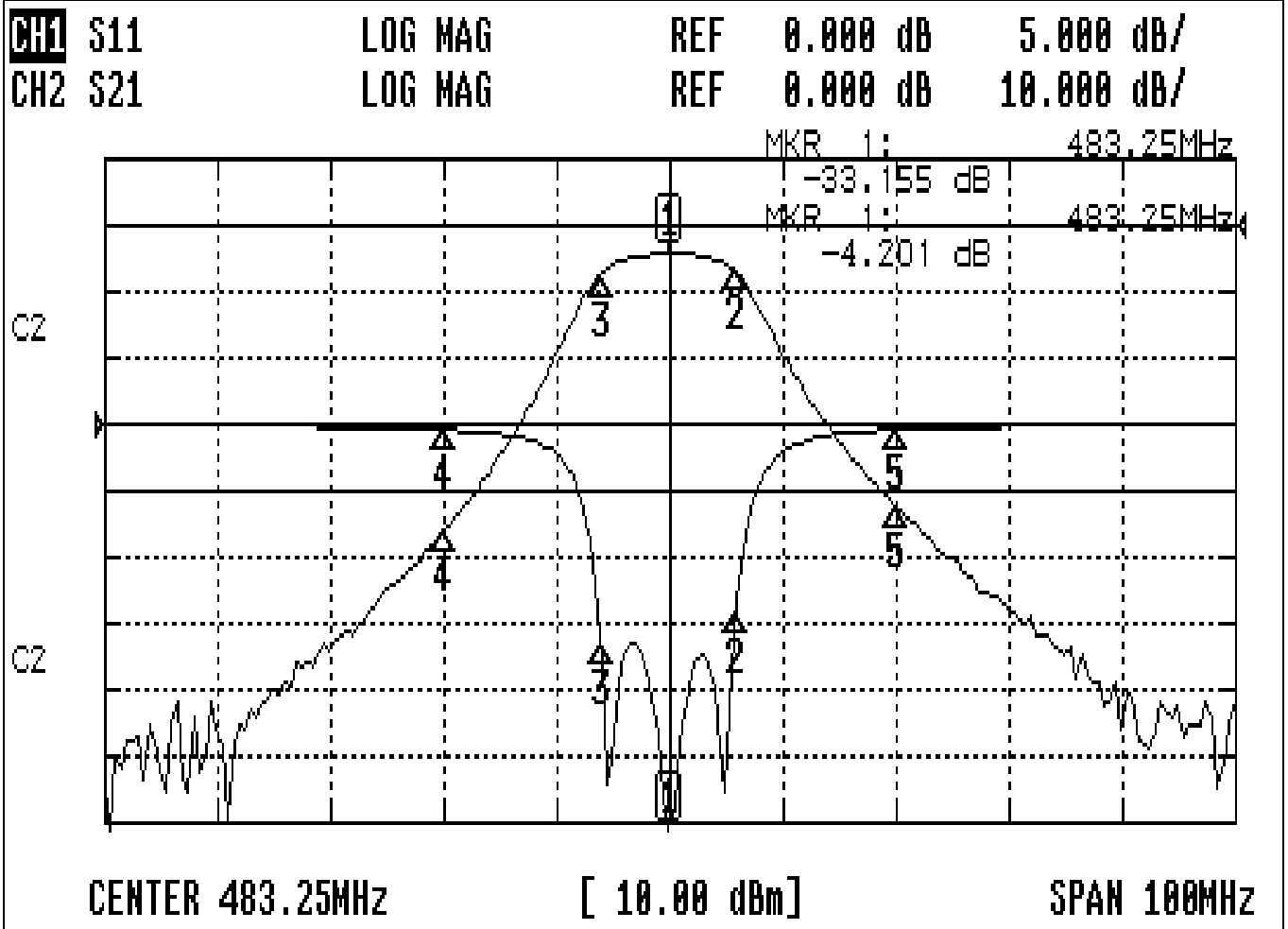
(3) Electric Characteristic		Item	Specify	Performance
		Center Freq.(Fo) +/- 0.5 %	483.25 MHz	483.25 MHz
		Insertion Loss	Typ. 5 dB	4.19 dB
		-3 dB Bandwidth	Typ. 8 MHz	12 MHz
Sensitivity (Attenuation)	Fo - (20) MHz	Typ. 43 dB		46 dB
	Fo + (20) MHz	Typ. 39 dB		42 dB
	Fo - () MHz	Typ. dB		dB
	Fo + () MHz	Typ. dB		dB
		Return Loss	Min. 12 dB	33.19 dB
		Ripple	< 1 dB	dB
		Impedance	In / Out : 75 Ω	In / Out : 75 Ω
(4) Torque for Tuning Screw		> 100gf · cm		
(5) Temperature Condition:				
Operating Temperature		0°C ~ +60°C		
Storage Temperature		-20°C ~ +70°C		
(6) Input Power		> 1Watt		



Approval	Supervisor	Designer	Aperture size
C.Y.Chang	C.S.Chang	W.W.Wang	7H4S(4*5.5)(5.60) 7H046RB4

Performance-TFL64263F-483.25M

200812109CD



CH1 MARKER LIST

1:	483.250MHz	-33.199 dB
2:	489.166MHz	-14.101 dB
3:	477.166MHz	-16.354 dB
4:	463.250MHz	-0.371 dB
5:	503.250MHz	-0.346 dB

CH2 MARKER LIST

1:	483.250MHz	-4.198 dB
2:	489.166MHz	-7.164 dB
3:	477.166MHz	-7.181 dB
4:	463.250MHz	-46.340 dB
5:	503.250MHz	-42.414 dB