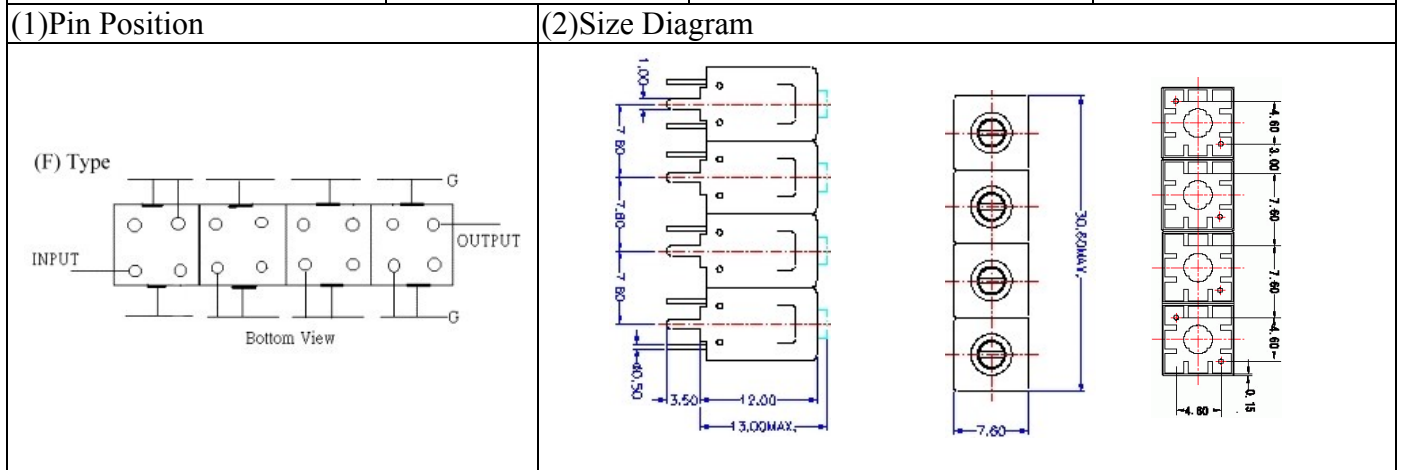
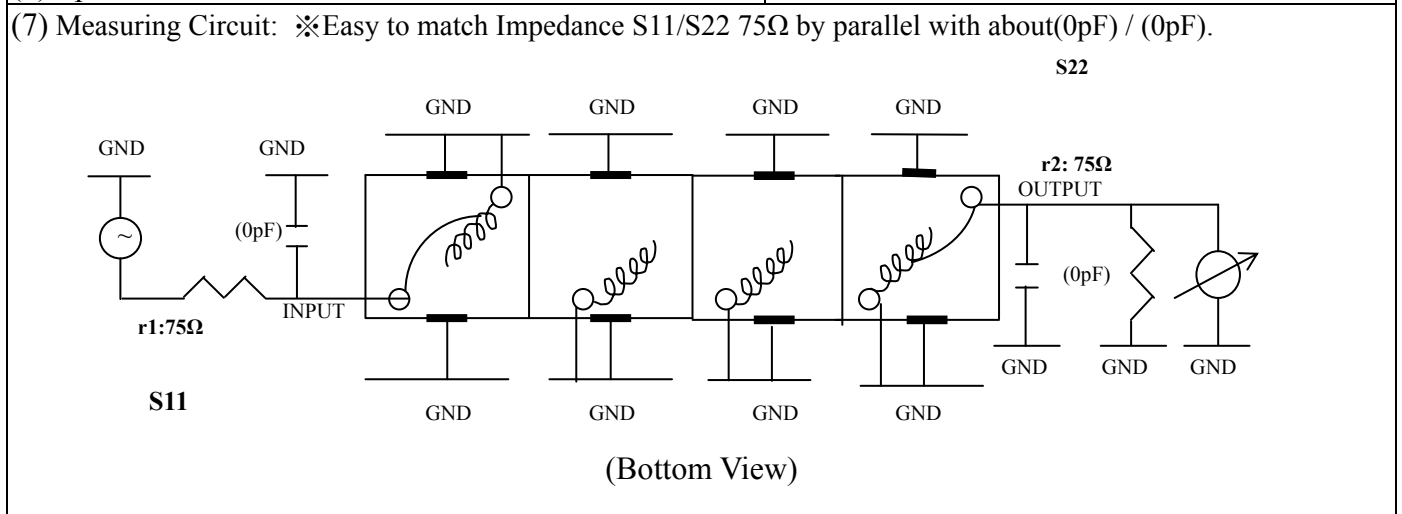


# VHF UHF Helical Filter Specification Sheet

Customer Name		Temwell's Part No.	TFL64267F-507.25M
Approval No. /dated	0812113CD	Temwell's Print name	64267F 507.25M
Work Instruction No.	200812113CD	Date	Jan.07.2009



(3) Electric Characteristic		Item	Specify	Performance
		Center Freq.(Fo ) +/- 0.5 %	507.25 MHz	507.25 MHz
		Insertion Loss	Typ. 5.0 dB	4.31 dB
		-3 dB Bandwidth	Typ. 8 MHz	12.4 MHz
Sensitivity (Attenuation)	Fo - (20) MHz	Typ. 43 dB		46 dB
	Fo + (20) MHz	Typ. 39 dB		42 dB
	Fo - ( ) MHz	Typ. dB		dB
	Fo + ( ) MHz	Typ. dB		dB
		Return Loss	Min. 12 dB	27.77 dB
		Ripple	< 1 dB	dB
		Impedance	In / Out : 75 Ω	In / Out : 75 Ω
(4) Torque for Tuning Screw			> 100gf • cm	
(5) Temperature Condition:				
Operating Temperature			0°C ~ +60°C	
Storage Temperature			-20°C ~ +70°C	
(6) Input Power			> 1Watt	

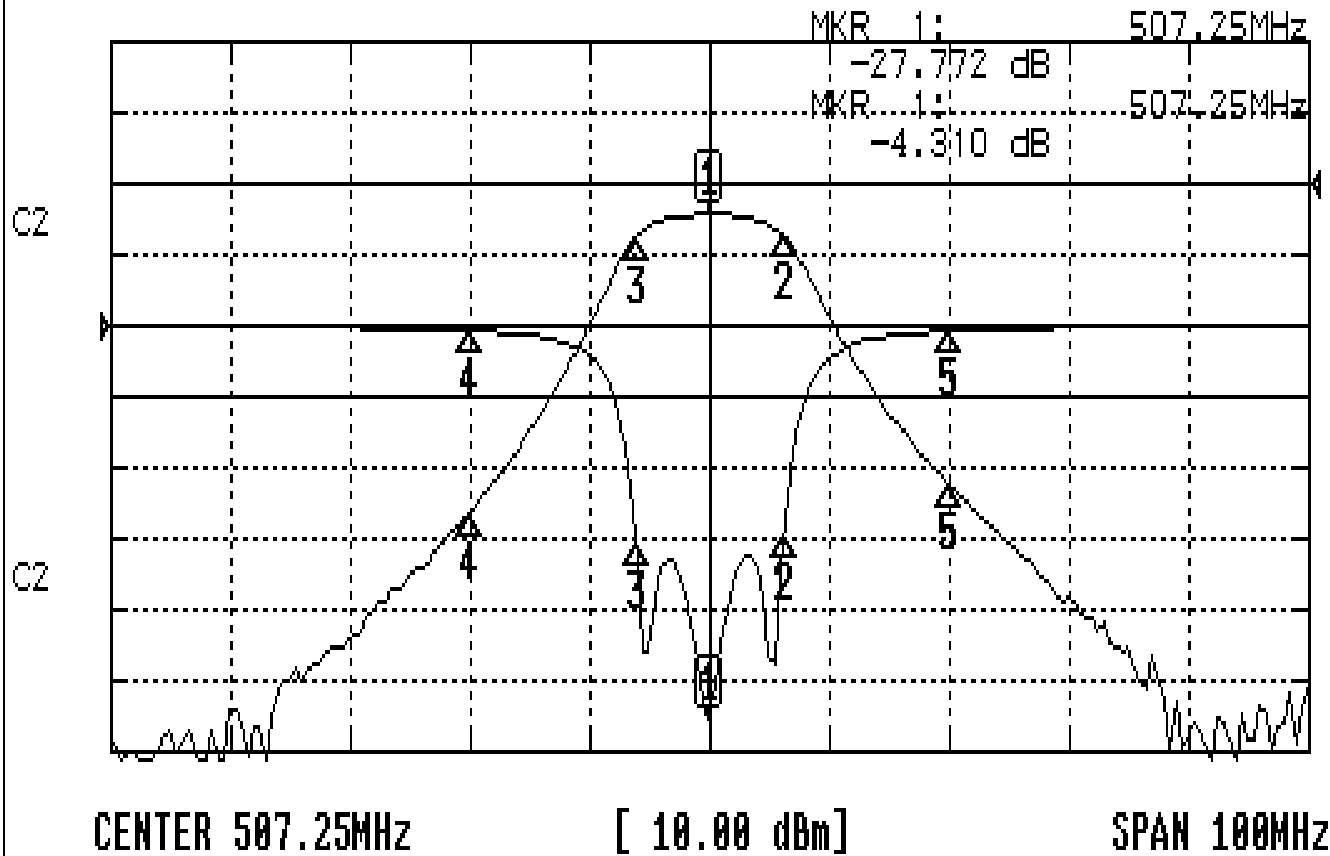


Approval	Supervisor	Designer	Aperture size
C.Y.Chang	C.S.Chang	W.W.Wanf	7H4S(4*5.5F)(5.55) 7H046RB4

# Performance-TFL64267F-507.25M

## 200812113CD

CH1 S11 LOG MAG REF 0.000 dB 5.000 dB/  
CH2 S21 LOG MAG REF 0.000 dB 10.000 dB/



### CH1 MARKER LIST

1:	507.250MHz	-27.772 dB
2:	513.500MHz	-14.539 dB
3:	501.166MHz	-15.478 dB
4:	487.250MHz	-0.328 dB
5:	527.250MHz	-0.353 dB

10.000~10.000  
10:

### CH2 MARKER LIST

1:	507.250MHz	-4.312 dB
2:	513.500MHz	-7.337 dB
3:	501.166MHz	-7.308 dB
4:	487.250MHz	-46.258 dB
5:	527.250MHz	-42.485 dB

10.000~10.000  
10: