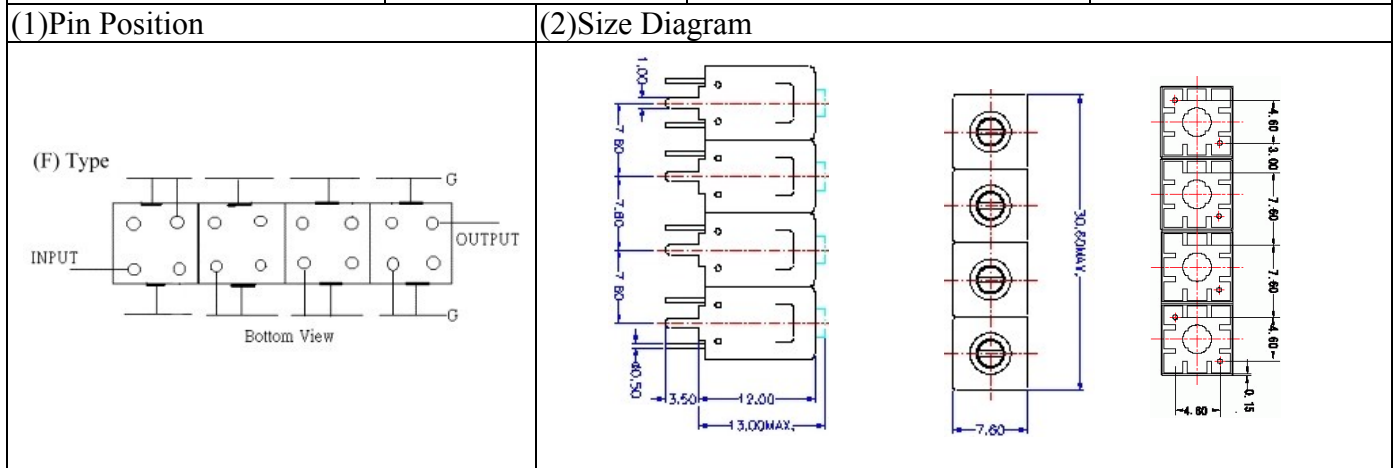


VHF UHF Helical Filter Specification Sheet

Customer Name		Temwell's Part No.	TFL64268F-513.25M
Approval No. /dated	0812114CD	Temwell's Print name	64268F 513.25M
Work Instruction No.	200812114CD	Date	Jan.08.2009



(3) Electric Characteristic

Item	Specify	Performance
Center Freq.(Fo) +/- 0.5 %	513.25 MHz	513.25 MHz
Insertion Loss	Typ. 6 dB	4.87 dB
-3 dB Bandwidth	Typ. 8 MHz	11.7 MHz
Sensitivity (Attenuation)	Fo - (20) MHz	Typ. 43 dB
	Fo + (20) MHz	Typ. 38 dB
	Fo - () MHz	Typ. dB
	Fo + () MHz	Typ. dB
Return Loss	Min. 12 dB	29.83 dB
Ripple	< 1 dB	dB
Impedance	In / Out : 75 Ω	In / Out : 75 Ω

(4) Torque for Tuning Screw

(4) Torque for Tuning Screw	> 100gf · cm
-----------------------------	--------------

(5) Temperature Condition:

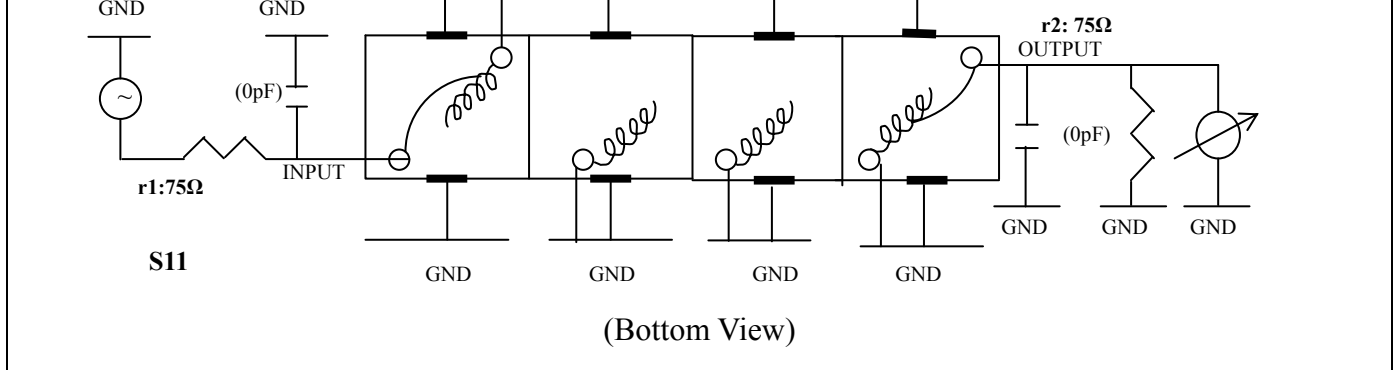
Operating Temperature	0°C ~ +60°C
-----------------------	-------------

Storage Temperature	-20°C ~ +70°C
---------------------	---------------

(6) Input Power

(6) Input Power	> 1Watt
-----------------	---------

(7) Measuring Circuit: ※Easy to match Impedance S11/S22 75Ω by parallel with about(0pF) / (0pF).

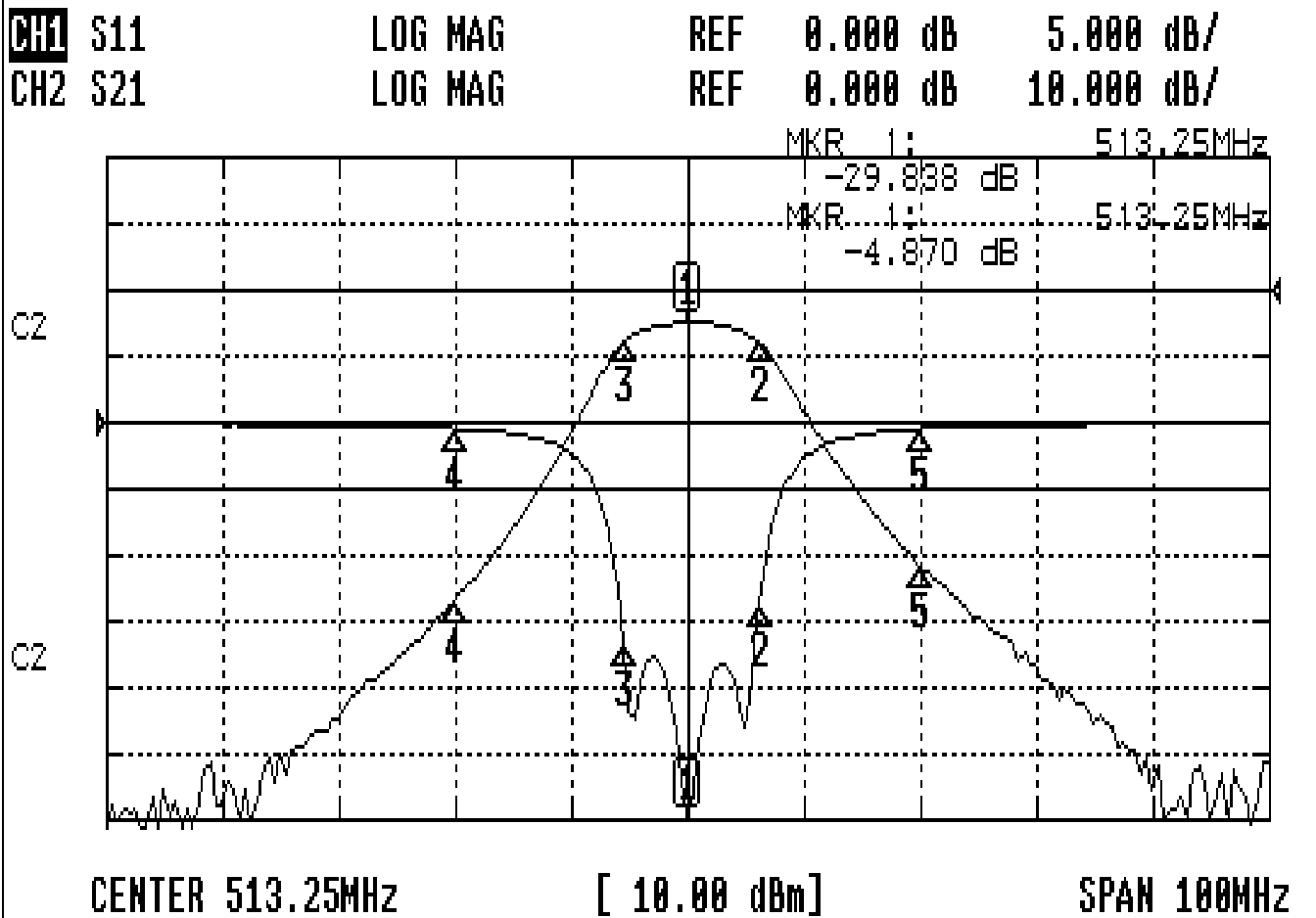


Approval	Supervisor	Designer	Aperture size
C.Y.Chang	C.S.Chang	W.W.Wanf	7H4S(4*5.55F)(5.59) 7H046RB4

TEMWELL CORPORATION

Performance-TFL64268F-513.25M

200812114CD



CH1 MARKER LIST

1:	513.250MHz	-29.838 dB
2:	519.416MHz	-13.912 dB
3:	507.750MHz	-16.688 dB
4:	493.250MHz	-0.462 dB
5:	533.250MHz	-0.444 dB

CH2 MARKER LIST

1:	513.250MHz	-4.875 dB
2:	519.416MHz	-7.829 dB
3:	507.750MHz	-7.875 dB
4:	493.250MHz	-46.870 dB
5:	533.250MHz	-41.408 dB