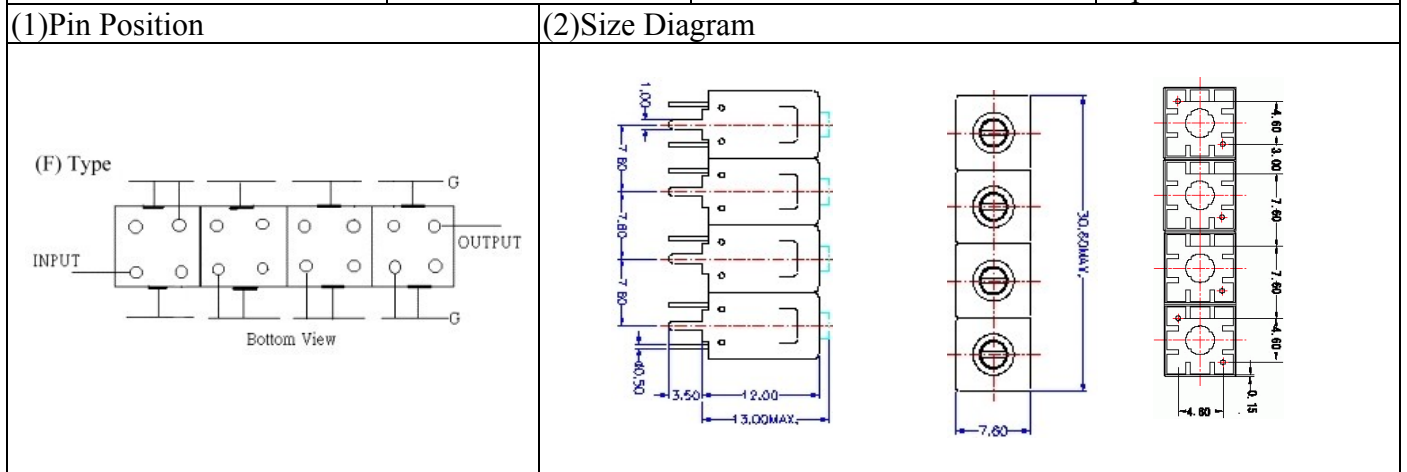
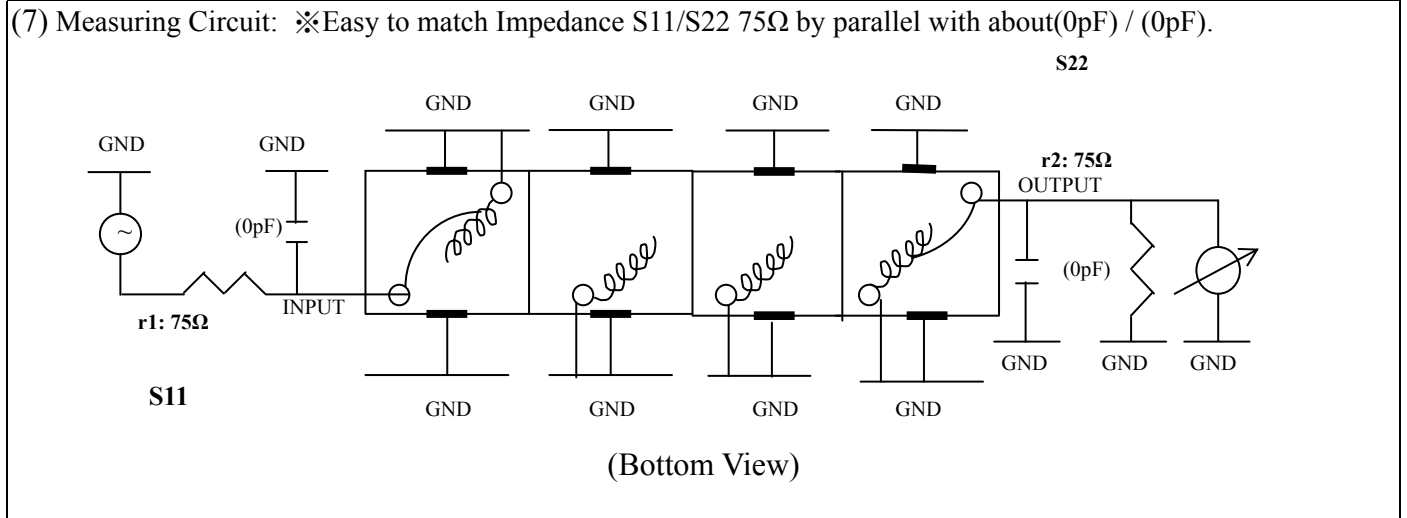


VHF UHF Helical Filter Specification Sheet

Customer Name		Temwell's Part No.	TFL6428F-593M
Approval No. /dated	0909006CD	Customer's Print Name.	6428F 593M
Work Instruction No.	200909006CD	Date	Sep.16.2009



(3) Electric Characteristic			
Item		Specify	Performance
Center Freq.(Fo) +/- 0.5 %		593 MHz	593 MHz
Insertion Loss		Typ. 5.5 dB	4.78 dB
-3 dB Bandwidth		Typ. 8 MHz	11.5 MHz
Sensitivity (Attenuation)	Fo - (9) MHz	Typ. 15 dB	18 dB
	Fo + (9) MHz	Typ. 15 dB	16 dB
	Fo - () MHz	Typ. dB	dB
	Fo + () MHz	Typ. dB	dB
Return Loss		Min. 12 dB	21.6 dB
Ripple		< 1 dB	dB
Impedance		In / Out : 75 Ω	In / Out : 75 Ω
(4) Torque for Tuning Screw		> 100gf · cm	
(5) Temperature Condition:			
Operating Temperature		0°C ~ +60°C	
Storage Temperature		-20°C ~ +70°C	
(6) Input Power		> 1 Watt	



Approval	Supervisor	Designer	Aperture size
C.Y.Chang	C.K.Chang	C.S.Chang	7H4S(4*4.65F)(4.72) 7H046LB4.3 聚 3

TEMWELL CORPORATION

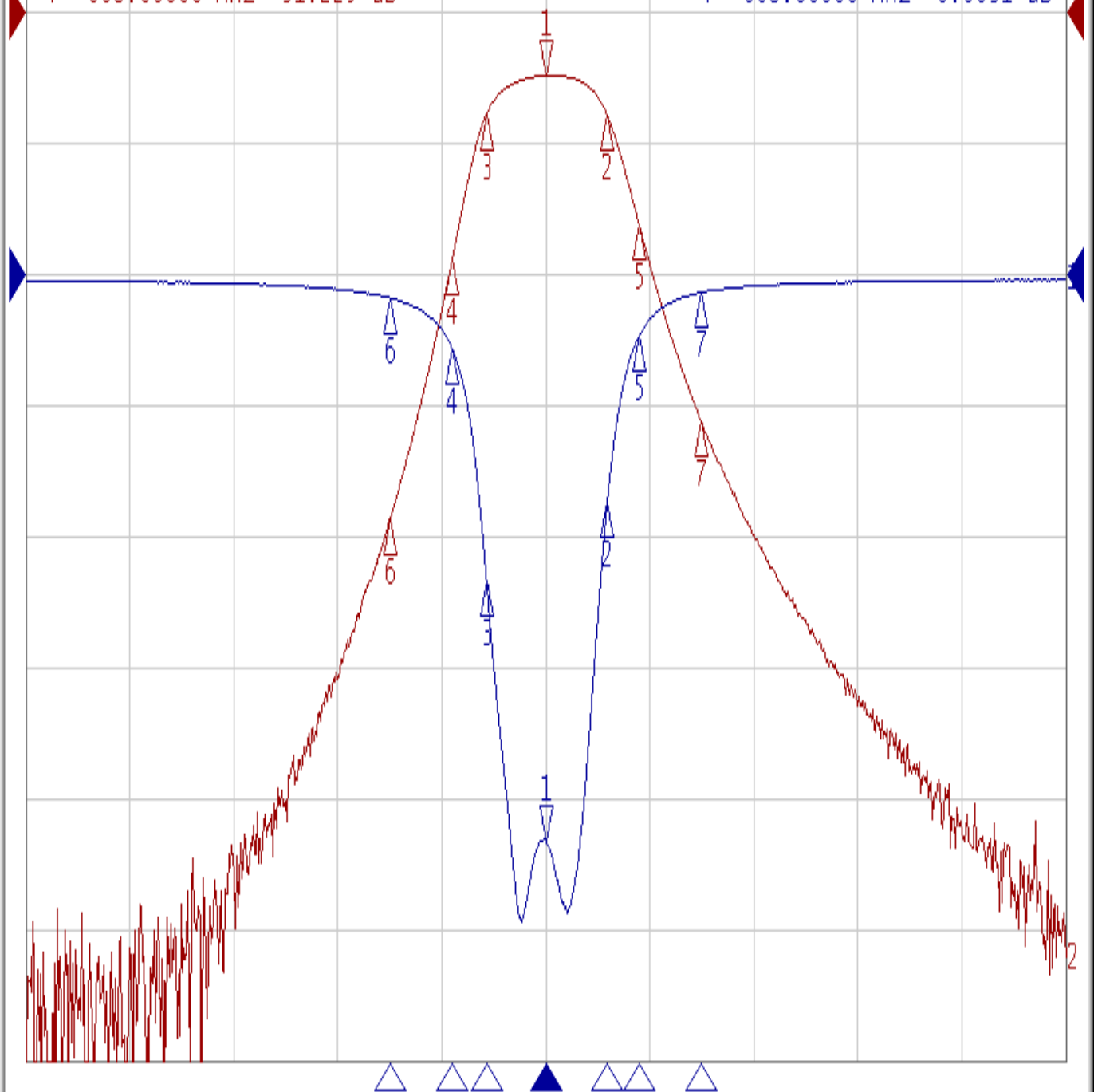
Performance-TFL6428F-593M

200909006CD

Tr1 S11 Log Mag 5.000dB/ Ref 0.000dB [F2]
Tr2 S21 Log Mag 10.00dB/ Ref 0.000dB [F2]

1	593.00000	MHz	-4.7863	dB
2	598.89900	MHz	-7.7896	dB
3	587.32100	MHz	-7.7202	dB
4	584.00000	MHz	-18.802	dB
5	602.00000	MHz	-16.158	dB
6	578.00000	MHz	-38.665	dB
7	608.00000	MHz	-31.225	dB

>1	593.00000	MHz	-21.636	dB
2	598.89900	MHz	-8.6901	dB
3	587.32100	MHz	-11.687	dB
4	584.00000	MHz	-2.8006	dB
5	602.00000	MHz	-2.3113	dB
6	578.00000	MHz	-0.8842	dB
7	608.00000	MHz	-0.6691	dB



1 Center 593 MHz

IFBW 10 kHz

Span 100 MHz Cor !