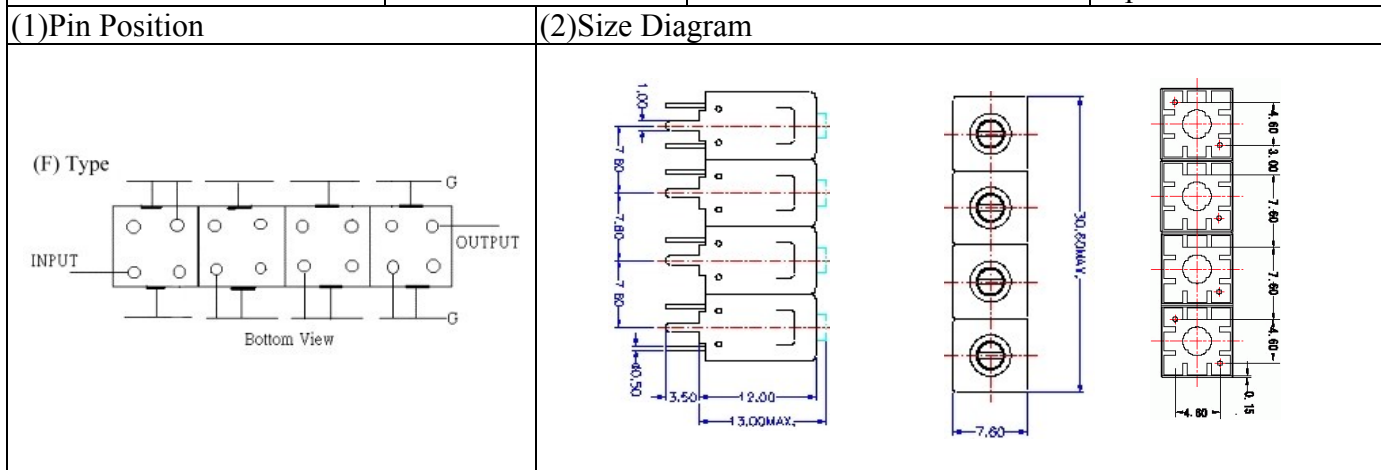


VHF UHF Helical Filter Specification Sheet

Customer Name		Temwell's Part No.	TFL6437F-585.25M
Approval No. /dated	0909054CD	Customer's Print Name.	6437F 585.25M
Work Instruction No.	200909054CD	Date	Sep.22.2009



(3) Electric Characteristic

Item	Specify	Performance	
Center Freq.(Fo) +/- 0.5 %	585.25 MHz	585.25 MHz	
Insertion Loss	Typ. 5.5 dB	4.61 dB	
-3 dB Bandwidth	Typ. 8 MHz	11.3 MHz	
Sensitivity (Attenuation)	Fo - (9) MHz	Typ. 16 dB	18 dB
	Fo + (9) MHz	Typ. 16 dB	17 dB
	Fo - () MHz	Typ. dB	dB
	Fo + () MHz	Typ. dB	dB
Return Loss	Min. 12 dB	32.6 dB	
Ripple	< 1 dB	dB	
Impedance	In / Out : 75 Ω	In / Out : 75 Ω	

(4) Torque for Tuning Screw

> 100gf · cm

(5) Temperature Condition:

Operating Temperature

0°C ~ +60°C

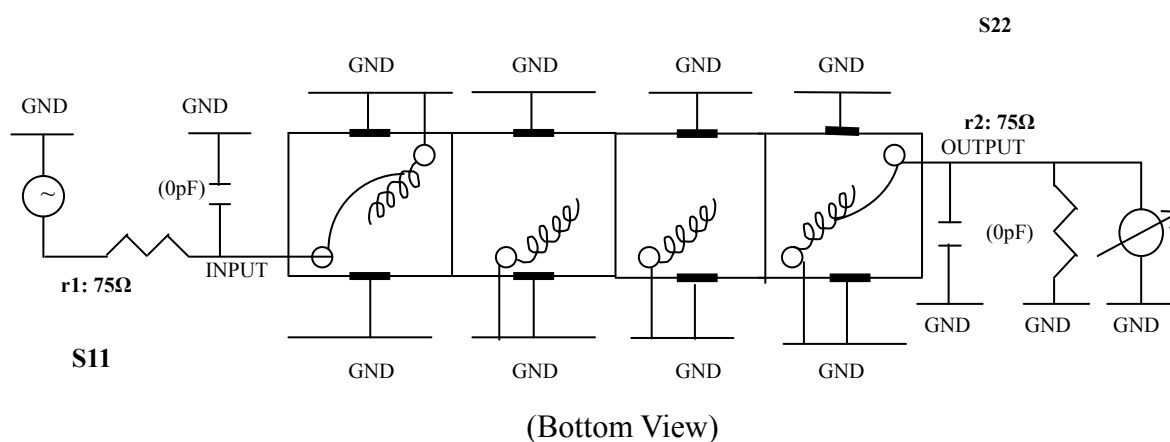
Storage Temperature

-20°C ~ +70°C

(6) Input Power

> 1Watt

(7) Measuring Circuit: ※Easy to match Impedance S11/S22 75Ω by parallel with about(0pF) / (0pF).



Approval C.Y.Chang	Supervisor C.K.Chang	Designer C.S.Chang	Aperture size 7H4S(4*4.65F)(4.74) 7H046LB4.3 聚 3
-----------------------	-------------------------	-----------------------	--

TEMWELL CORPORATION

TEMWELL

Form10-7H4F Vision D

RP:(C.S.C)

Performance-TFL6437F-585.25M

200909054CD

▶ Tr1 S11 Log Mag 5.000dB/ Ref 0.000dB [F2]
Tr2 S21 Log Mag 10.00dB/ Ref 0.000dB [F2]

