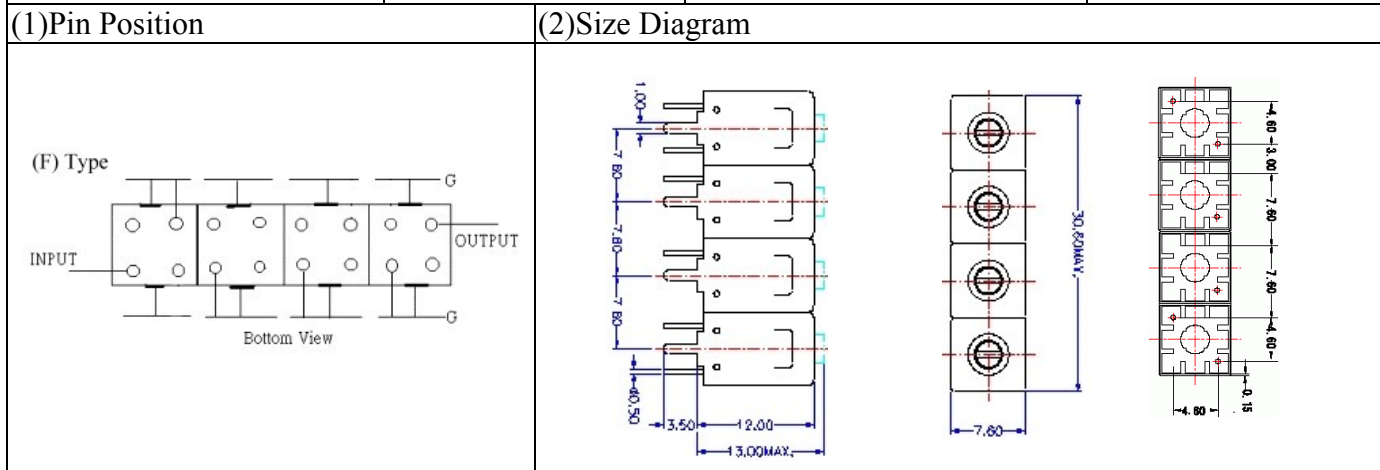


VHF UHF Helical Filter Specification Sheet

Customer Name		Temwell's Part No.	TFL64478F-563M
Approval No. /dated	1211064APR	Temwell's Print name	64478F 563M
Work Instruction No.	201211064BD	Date	Nov.29.2012



(3) Electric Characteristic

Item	Specify	Performance	
Center Freq.(Fo) +/- 0.5 %	563 MHz	563 MHz	
Insertion Loss	Typ. 2.0 dB	1.14 dB	
-3 dB Bandwidth	Typ. 66 MHz	68.7 MHz	
Sensitivity (Attenuation)	Fo - (40) MHz	Typ. 6 dB	9 dB
	Fo + (40) MHz	Typ. 4 dB	7 dB
	Fo - () MHz	Typ. dB	dB
	Fo + () MHz	Typ. dB	dB
Return Loss	Min. 12 dB	15.9 dB	
Ripple	< 1 dB	dB	
Impedance	In / Out : 75 Ω	In / Out : 75 Ω	

(4) Torque for Tuning Screw

> 60gf · cm

(5) Temperature Condition:

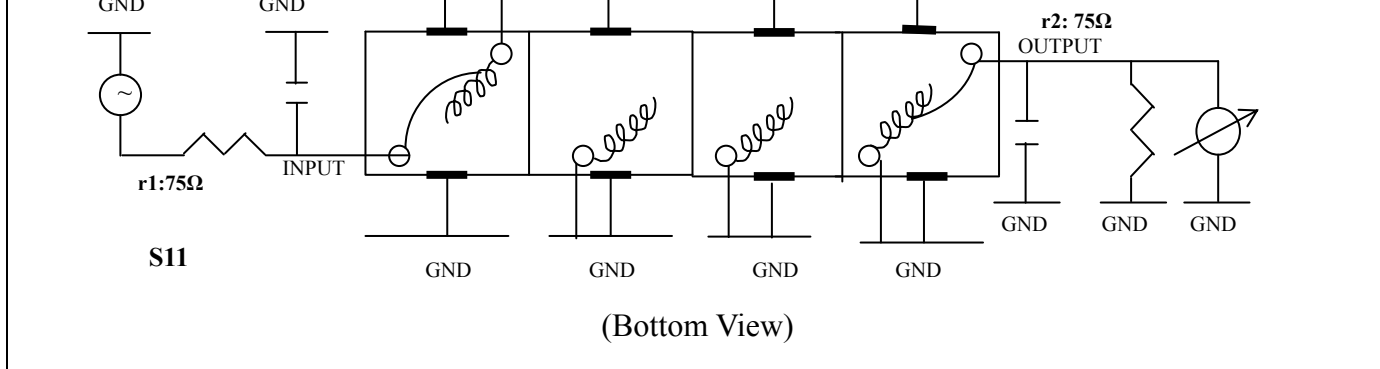
Operating Temperature 0°C ~ +60°C

Storage Temperature -20°C ~ +70°C

(6) Input Power

> 1Watt

(7) Measuring Circuit: ※Easy to match Impedance S11/S22 75Ω by parallel with about(- -) .



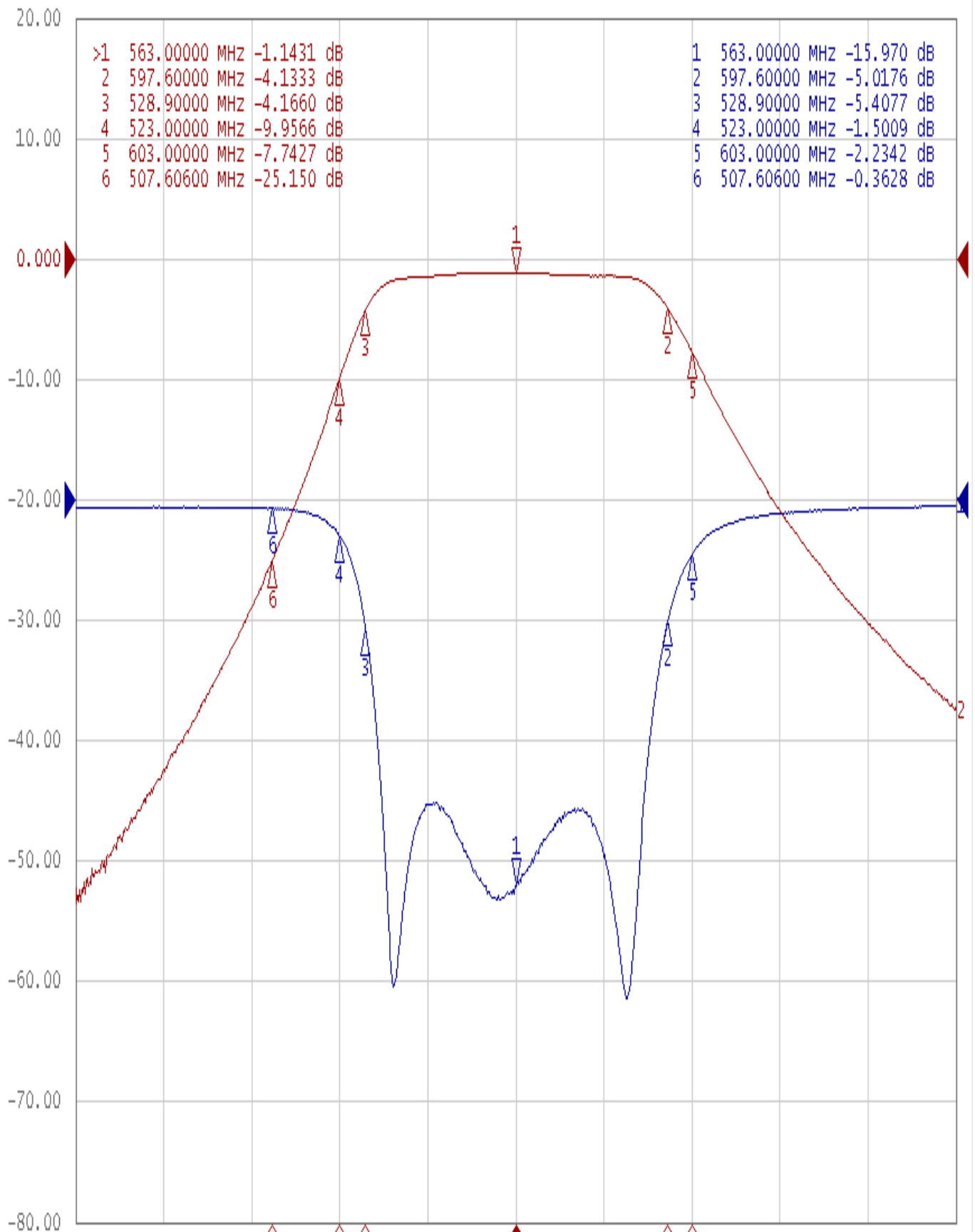
Approval	Supervisor	Designer	Aperture size
C.Y.Chang	C.K.Chang	P.H.Chiang	7H4S(4*8.0)*(8.02) 7H046RB5.5

TEMWELL CORPORATION

Performance-TFL64478F-563M

201211064BD

Tr1 S11 Log Mag 5.000dB/ Ref 0.000dB [F2]
Tr2 S21 Log Mag 10.00dB/ Ref 0.000dB [F2]



1 Center 563 MHz

IFBW 70 kHz

Span 200 MHz Cor !