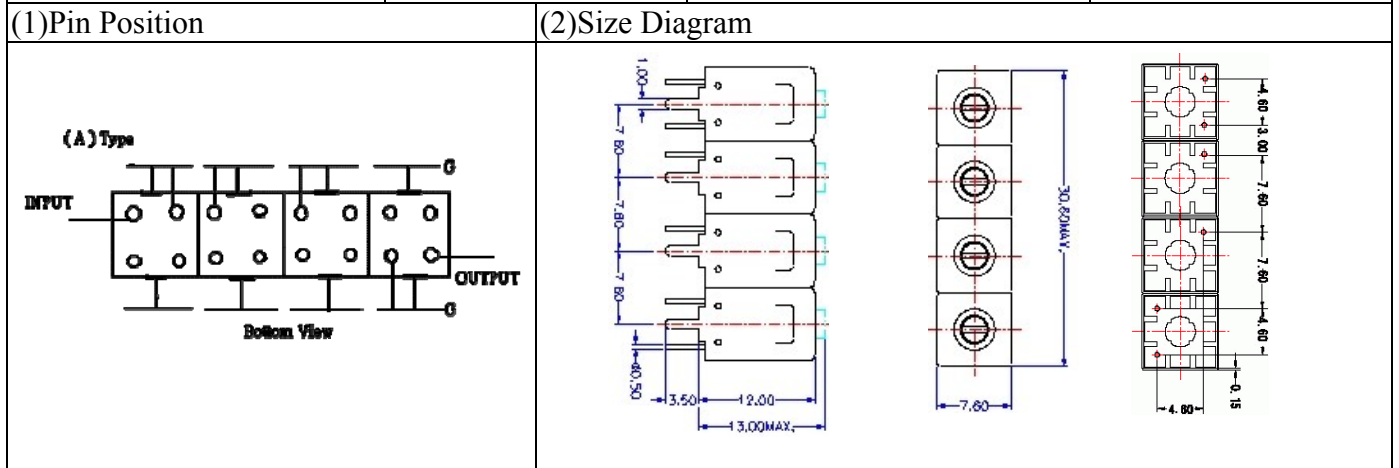
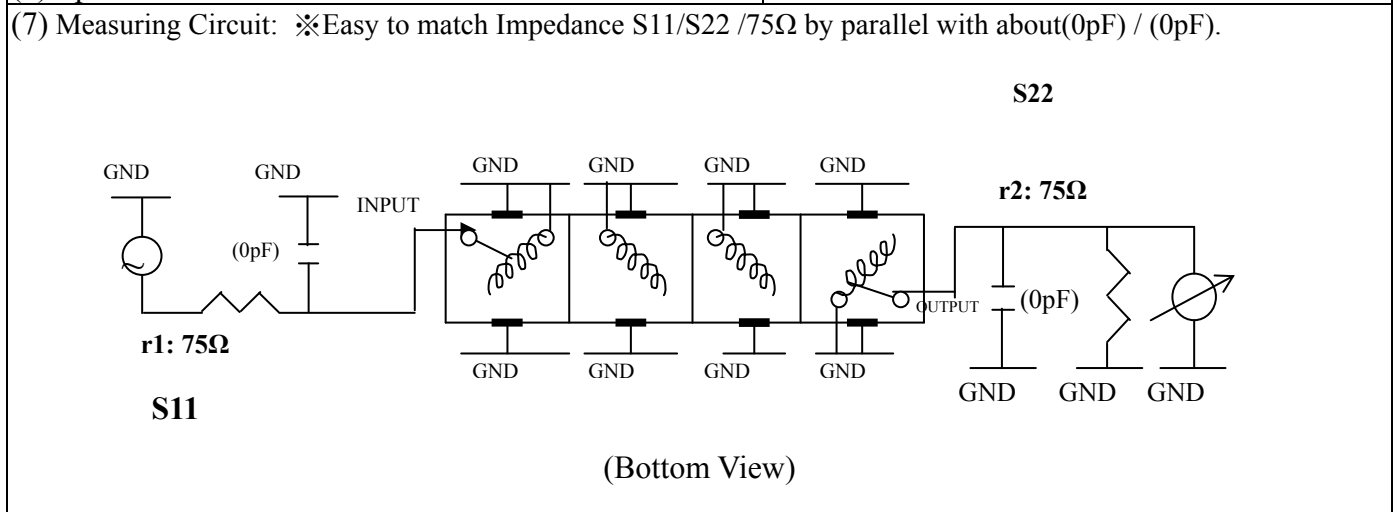


VHF UHF Helical Filter Specification Sheet

Customer Name		Temwell's Part No.	TFL69351A-1000M
Approval No. /dated	0802047APR	Temwell's Print Name	69351A 1000M
Work Instruction No.	0802047BD	Date	Mar.3.2008



(3) Electric Characteristic					
Item		Specify		Performance	
Center Freq.(Fo) +/- 0.5 %		1000 MHz		1000 MHz	
Insertion Loss		Typ. 2.5 dB		1.46 dB	
-3 dB Bandwidth		Typ. 71 MHz		76.3 MHz	
Sensitivity (Attenuation)	Fo - 100 MHz	Typ. 45 dBc		48 dBc	
	Fo + 100 MHz	Typ. 27 dBc		30 dBc	
	Fo - ()MHz	Typ. dBc		dBc	
	Fo +()MHz	Typ. dBc		dBc	
Return Loss		Min. 12 dB		18.8 dB	
Ripple		< 1 dB		dB	
Impedance		In / Out : 75 Ω		In / Out : 75 Ω	
(4) Torque for Tuning Screw		> 100gf · cm			
(5) Temperature Condition:					
Operating Temperature		0°C ~ +60°C			
Storage Temperature		-20°C ~ +70°C			
(6) Input Power		> 1Watt			

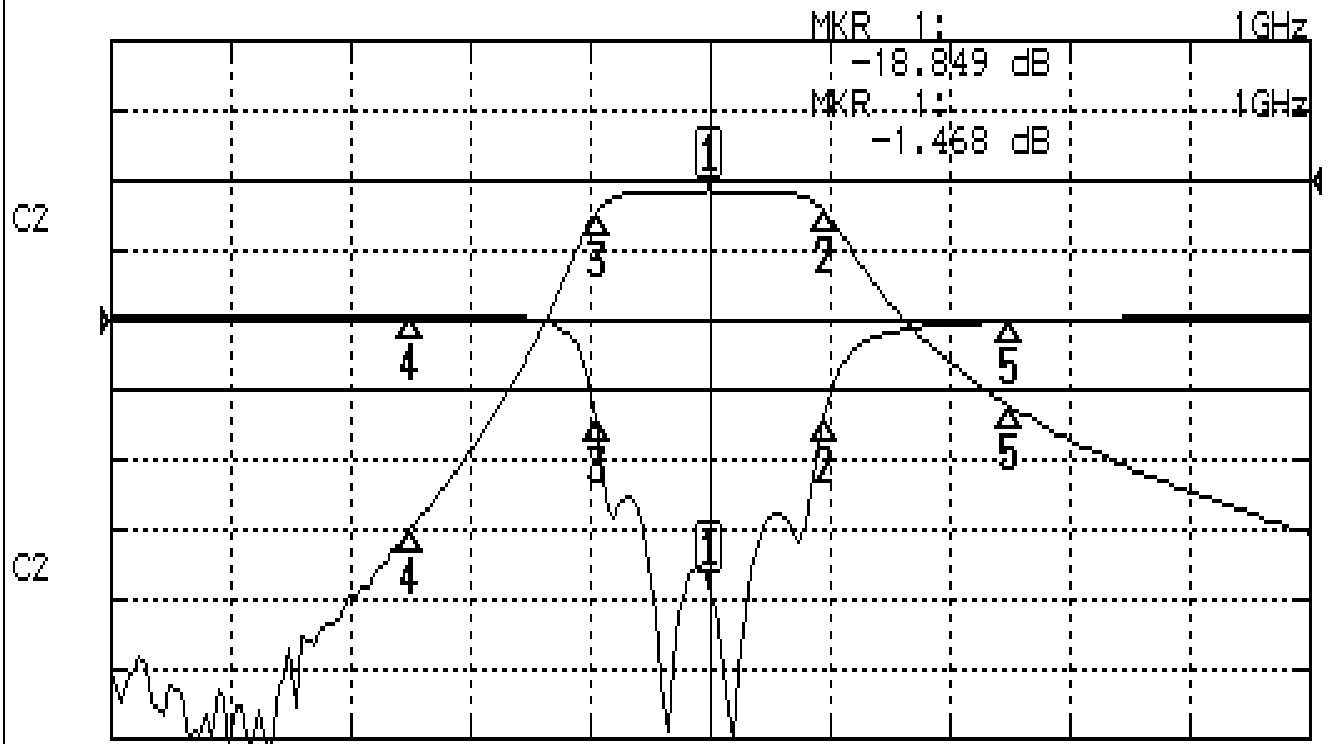


Approval	Supervisor	Designer	Aperture size
C.Y.Chang	C.S.Chang	P.H.Chiang	7H4(4*7.35F)*(5.0B) 7H046LB5
TEMWELL CORPORATION			

Performance-TFL69351A-1000M

0802047BD

CH1 S11 LOG MAG REF 0.000 dB 5.000 dB/
CH2 S21 LOG MAG REF 0.000 dB 10.000 dB/



CENTER 1GHz

[10.00 dBm]

SPAN 400MHz

CH1 MARKER LIST

1	1.000	000GHz	-18.855	dB
2	1.038	333GHz	-16.925	dB
3	962.000	MHz	-16.980	dB
4	900.000	MHz	-0.377	dB
5	1.100	000GHz	-0.074	dB

CH2 MARKER LIST

1	1.000	000GHz	-1.468	dB
2	1.038	333GHz	-14.477	dB
3	962.000	MHz	-14.462	dB
4	900.000	MHz	-49.841	dB
5	1.100	000GHz	-32.191	dB