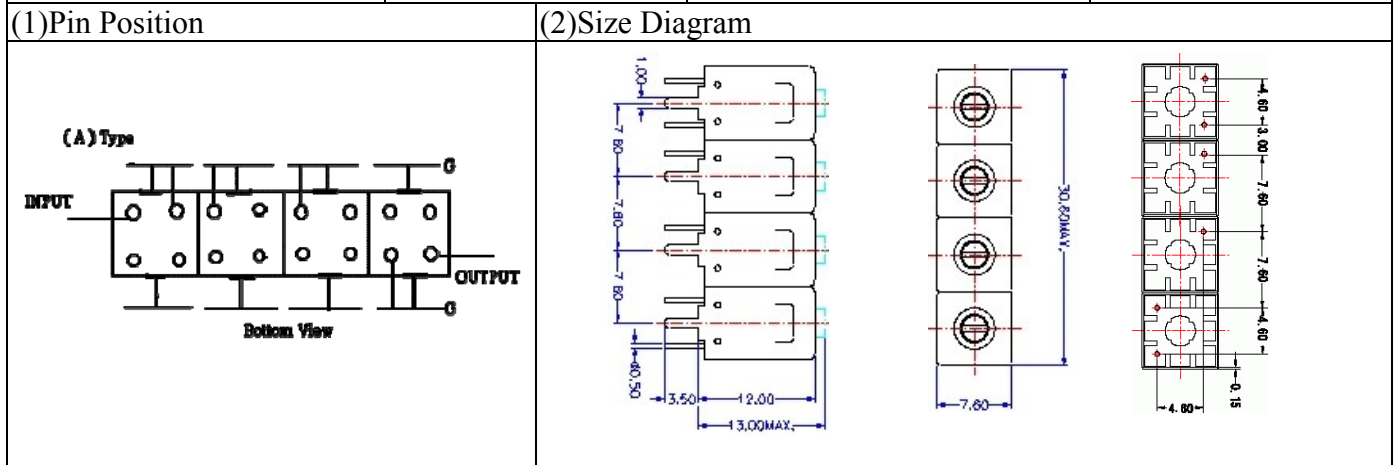


# VHF UHF Helical Filter Specification Sheet

Customer Name		Temwell's Part No.	TFL69356A-1150M
Approval No. /dated	0802031APR	Temwell's Print Name	69356A 1150M
Work Instruction No.	0802031CD	Date	Mar.3.2008



(3) Electric Characteristic

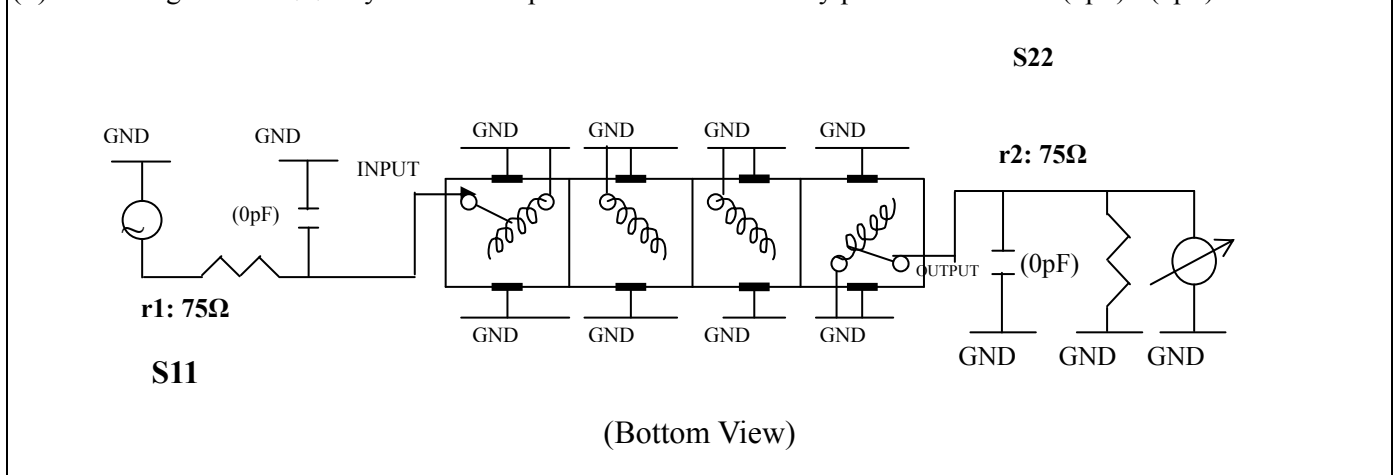
Item	Specify	Performance	
Center Freq.(Fo) +/- 0.5 %	1150 MHz	1150 MHz	
Insertion Loss	Typ. 3.0 dB	2.13 dB	
-3 dB Bandwidth	Typ. 71 MHz	77.3 MHz	
Sensitivity (Attenuation)	Fo - 100 MHz	Typ. 40 dBc	43 dBc
	Fo + 100 MHz	Typ. 25 dBc	28 dBc
	Fo - ( )MHz	Typ. dBc	dBc
	Fo +( )MHz	Typ. dBc	dBc
Return Loss	Min. 12 dB	22.4 dB	
Ripple	< 1 dB	dB	
Impedance	In / Out : 75 Ω	In / Out : 75 Ω	
(4) Torque for Tuning Screw	> 100gf · cm		

(5) Temperature Condition:

Operating Temperature	0°C ~ +60°C
Storage Temperature	-20°C ~ +70°C

(6) Input Power

(7) Measuring Circuit: ※Easy to match Impedance S11/S22 /75Ω by parallel with about(0pF) / (0pF).

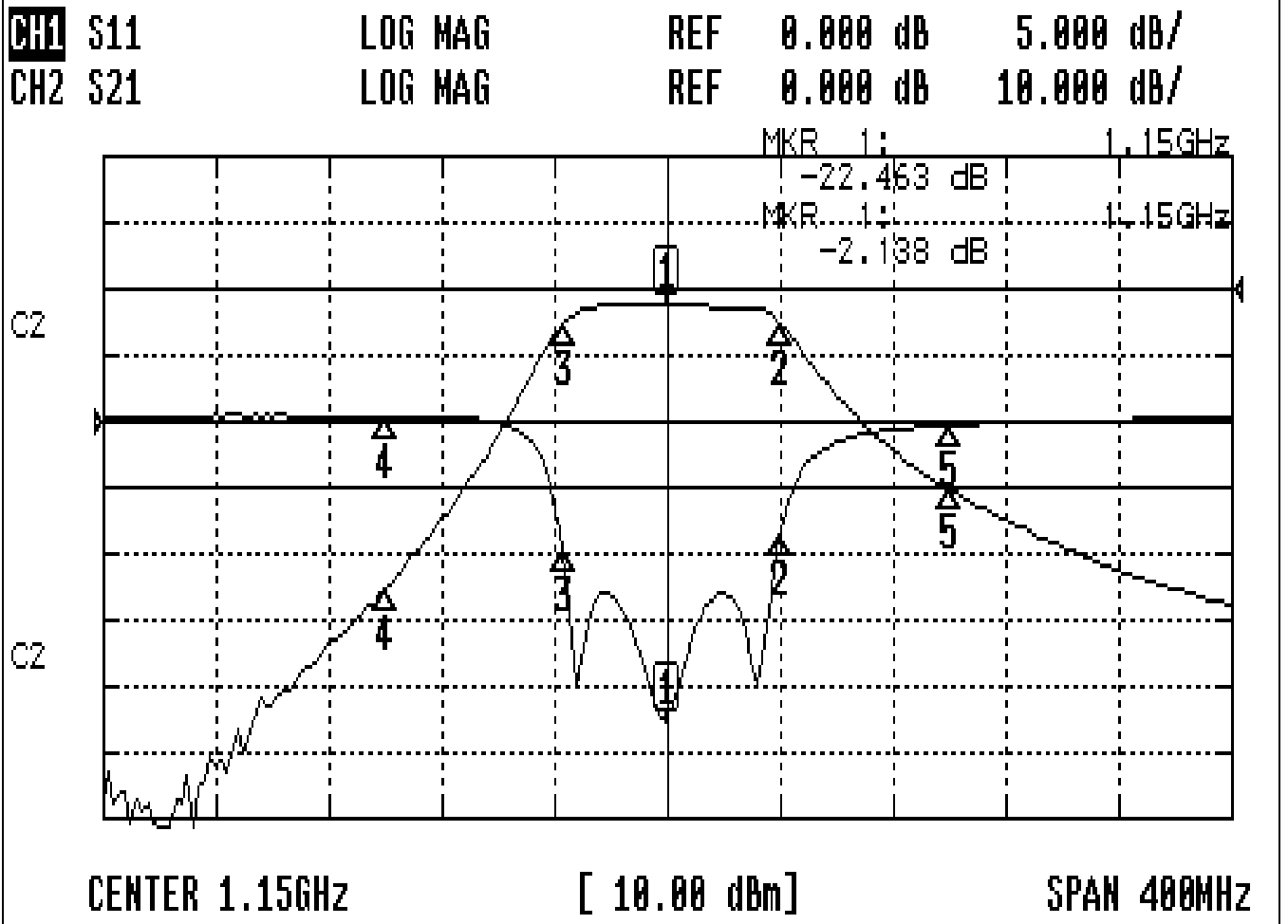


Approval	Supervisor	Designer	Aperture size
C.Y.Chang	C.S.Chang	P.H.Chiang	7H4(4*6.5F)*(5.5B) 7H046LB5.5

TEMWELL CORPORATION

# Performance-TFL69356A-1150M

## 0802031CD



### CH1 MARKER LIST

1:	1.150 000GHz	-22.463	dB
2:	1.190 333GHz	-8.376	dB
3:	1.113 000GHz	-9.875	dB
4:	1.050 000GHz	-0.417	dB
5:	1.250 000GHz	-0.263	dB

### CH2 MARKER LIST

1:	1.150 000GHz	-2.138	dB
2:	1.190 333GHz	-1.176	dB
3:	1.113 000GHz	-4.169	dB
4:	1.050 000GHz	-14.311	dB
5:	1.250 000GHz	-30.225	dB