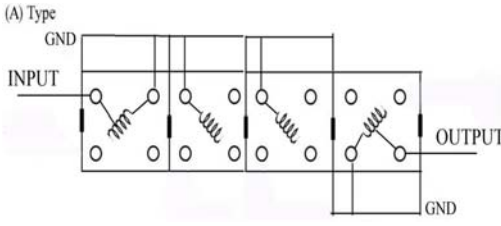
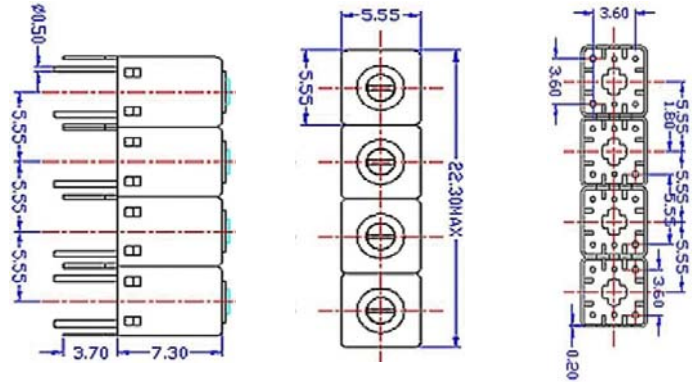


VHF UHF Helical Filter Specification Sheet

Customer Name		Temwell's Part No.	TFR4636A-400M
Approval No. /dated	20205016DC	Acceptable Specify Fo. Range	350~400MHz
Work Instruction No.	20205016DC	Date	2002.05.15

(1)Pin Position	(2)Size Diagram
 <p>(A) Type GND INPUT OUTPUT GND</p> <p>(Bottom View)</p>	

(3)Electric Character

Item	Specify	Performance	
Center Freq.(Fo) +/- 0.5 %	400 MHz	400 MHz	
Insertion Loss	Typ. 7.5 dB	6.5 dB	
-3 dB Bandwidth	Typ. 9.0 MHz	13 MHz	
Sensitivity (Attenuation)	Fo - 30 MHz	Typ. 50 dBc	53 dBc
	Fo + 30 MHz	Typ. 40 dBc	43 dBc
	Fo - ()MHz	Typ. dBc	dBc
	Fo +()MHz	Typ. dBc	dBc
Return Loss	Min. 12 dB	17 dB	
Ripple	< 1 dB	dB	
Impedance	In / Out : 50 Ω	In / Out : 50 Ω	

(4)Torque for Tuning Screw > 60gf • cm

(5)Temperature Condition:

Operating Temperature	-30°C ~ +70°C
Storage Temperature	-30°C ~ +80°C

(6)Input Power > 1Watt

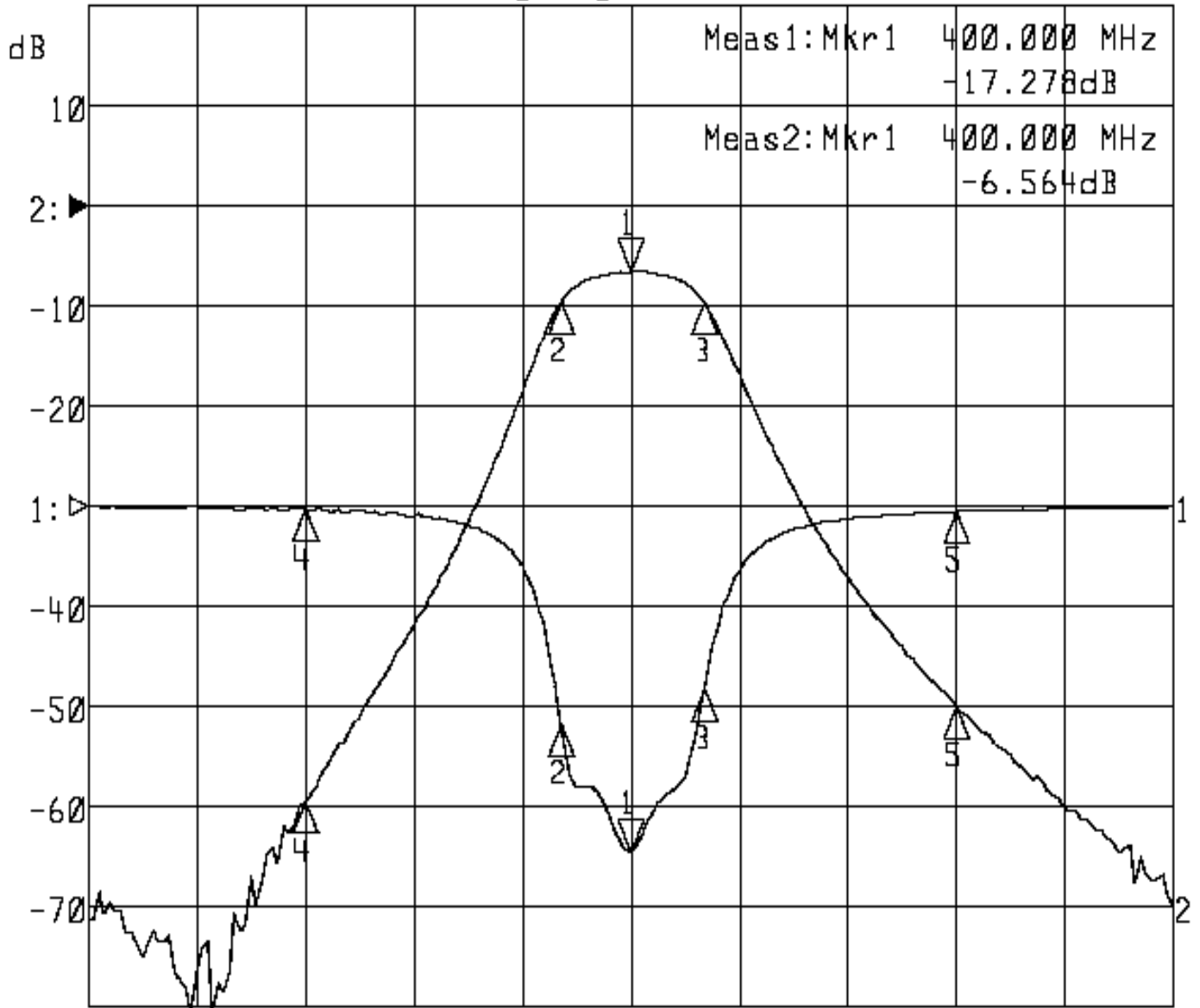
Approval	Supervisor	Designer	Aperture size
C.Y.Chang	C.S.Chang	C.S.Chang	5R4S(3.8*3.7)

TEMWELL CORPORATION

Performance-TFR4636A-400M

20205016DC

▷1:S11 Refl Port1 Log Mag 5.0 dB/ Ref 0.00 dB C
 ▼2:S21 Fwd Trans Log Mag 10.0 dB/ Ref 0.00 dB C



Meas1:Mkr1 400.000 MHz
 -17.278dB
 Meas2:Mkr1 400.000 MHz
 -6.564dB

Center 400.000 MHz

Span 100.000 MHz

1:Mkr (MHz)	dB	2:Mkr (MHz)	dB
1> 400.0000	-17.278	1> 400.0000	-6.564
2: 393.5667	-10.840	2: 393.5667	-9.622
3: 406.7333	-9.180	3: 406.7333	-9.583
4: 370.0000	-0.166	4: 370.0000	-59.431
5: 430.0000	-0.256	5: 430.0000	-49.924