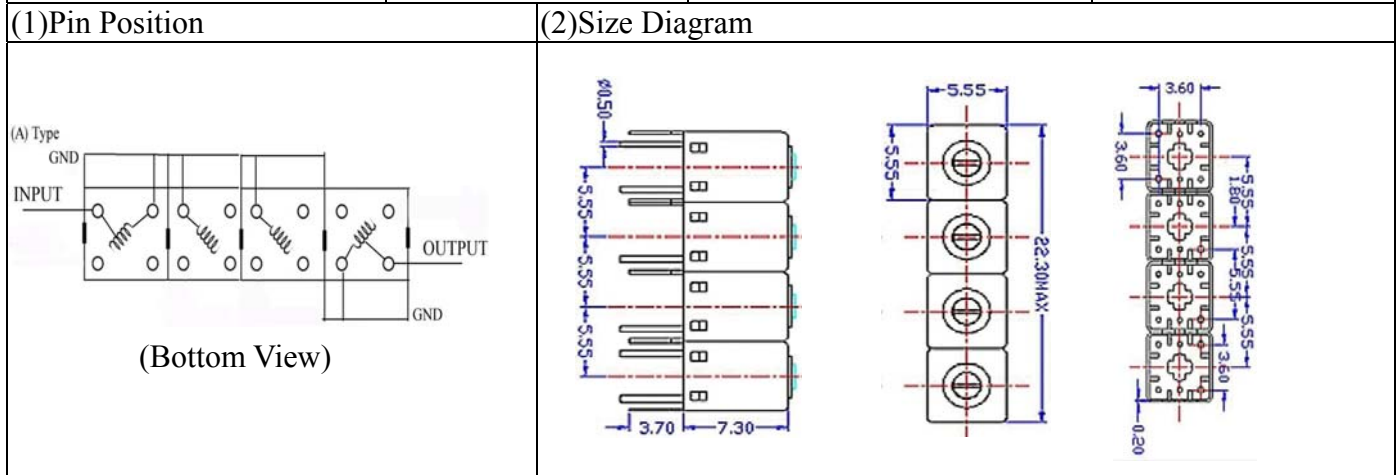


VHF UHF Helical Filter Specification Sheet

Customer Name		Temwell's Part No.	TFR4638A-460M
Approval No. /dated		Temwell's Print Name.	4639F 480M
Work Instruction No.	201310086ED	Date	Oct.30.2013



(3)Electric Charasteric

Item	Specify	Performance
Center Freq.(Fo) +/- 0.5 %	460 MHz	460 MHz
Insertion Loss	Typ. 5.5 dB	4.17 dB
-3 dB Bandwidth	Typ. 15 MHz	18.8 MHz
Sensitivity (Attenuation)	Fo -30 MHz	Typ. 43 dBc
	Fo +30 MHz	Typ. 36 dBc
	Fo - ()MHz	Typ. dBc
	Fo +()MHz	Typ. dBc
Return Loss	Min. 12 dB	33.2 dB
Ripple	< 1 dB	dB
Impedance	In / Out : 50 Ω	In / Out : 50 Ω

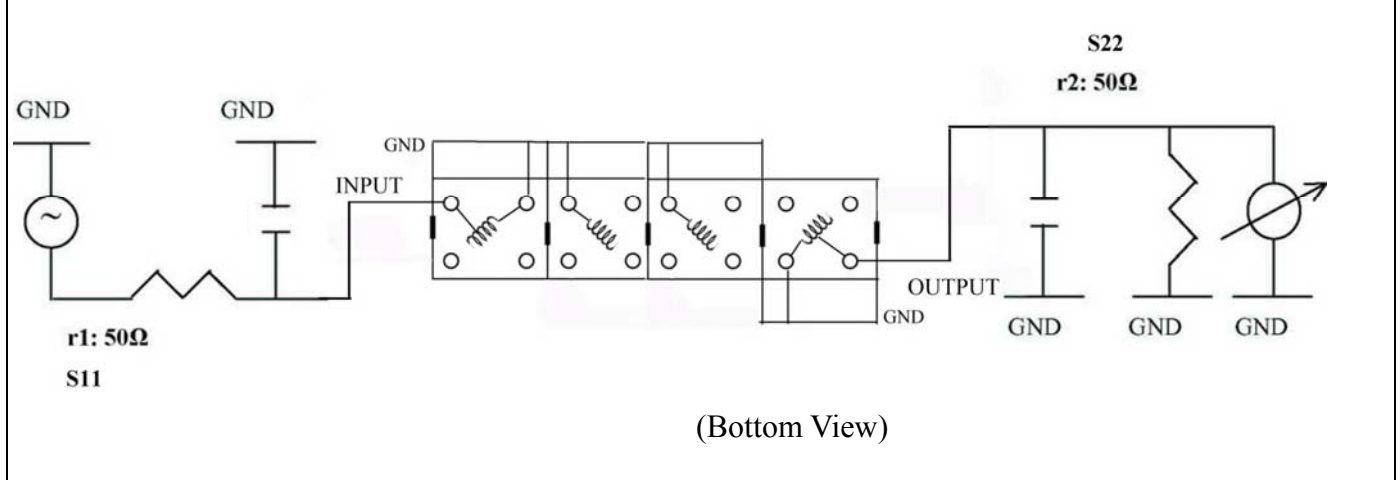
(4)Torque for Tuning Screw > 60gf • cm

(5)Temperature Condition:

Operating Temperature	0°C ~ +60°C
Storage Temperature	-20°C ~ +70°C

(6)Input Power > 0.5Watt

(7)Measuring Circuit: ※Easy to match Impedance S11/S22 50Ω/75Ω by parallel with about(--)/ (--).



Approval	Supervisor	Designer	Aperture size
C.Y.Chang	C.K.Chang	C.Ko.Chang	5R4S(3.8*4.2)(5.24) 5HW024RB3

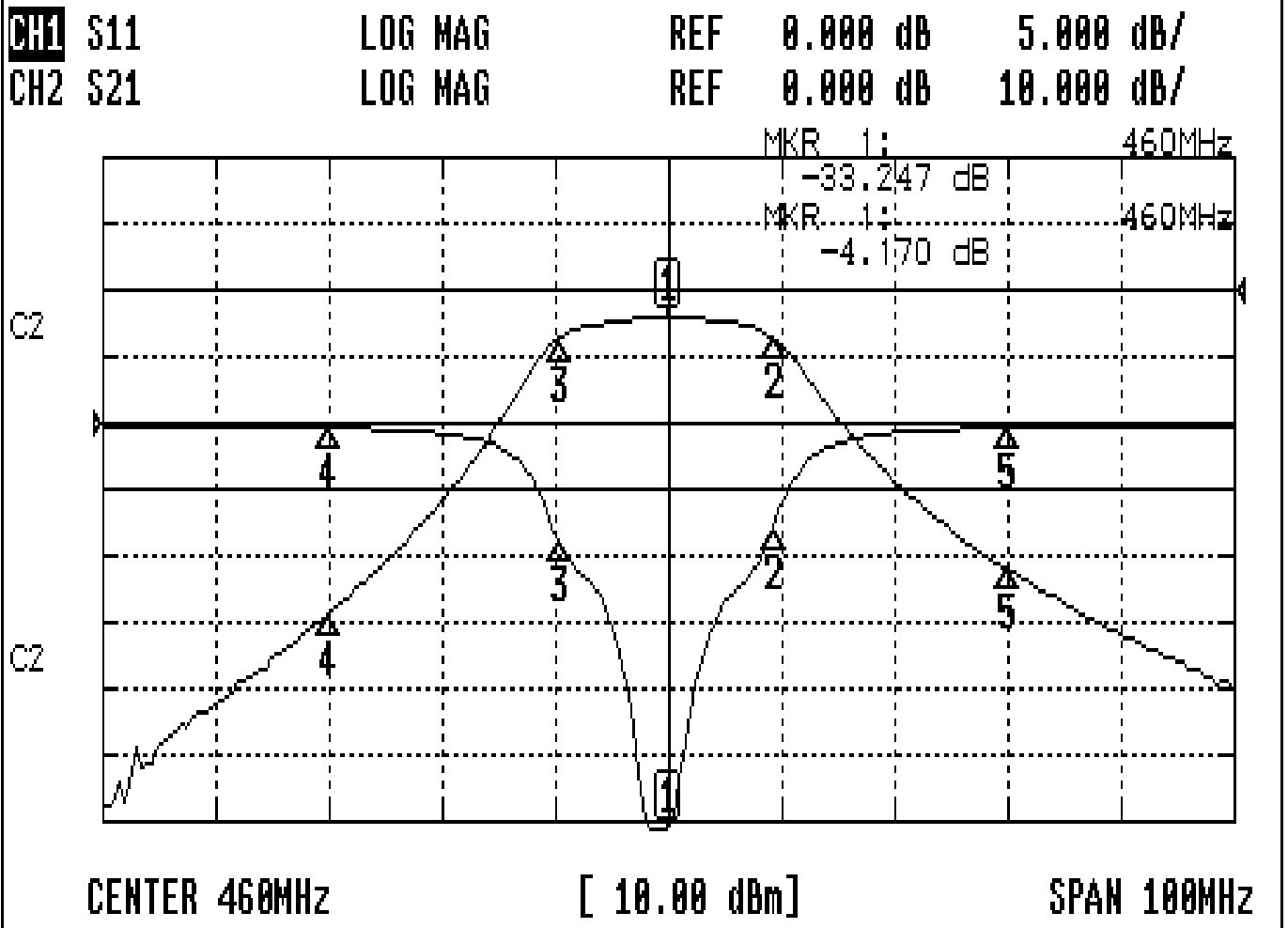
TEMWELL CORPORATION

TEMWELL

Form10-5R4A Vision D (C.Ko)

Performance-TFR4638A-460M

201310086ED



CH1 MARKER LIST

1:	460.000MHz	-33.281 dB
2:	469.250MHz	-7.952 dB
3:	450.416MHz	-9.070 dB
4:	430.000MHz	-0.352 dB
5:	490.000MHz	-0.335 dB

10:000~10:000

CH2 MARKER LIST

1:	460.000MHz	-4.170 dB
2:	469.250MHz	-7.174 dB
3:	450.416MHz	-7.131 dB
4:	430.000MHz	-48.638 dB
5:	490.000MHz	-42.104 dB

10:000~10:000