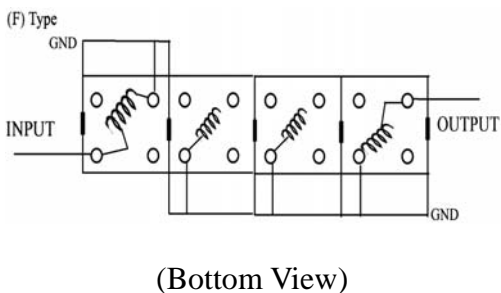
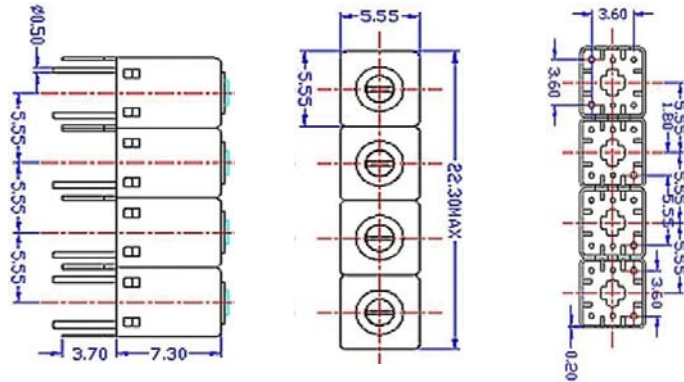


VHF UHF Helical Filter Specification Sheet

Customer Name		Temwell's Part No.	TFR4639F-480M
Approval No. /dated	20205018DC	Acceptable Specify Fo. Range	450~500MHz
Work Instruction No.	20205018DC	Date	2002.05.16

<p>(1)Pin Position</p>  <p style="text-align: center;">(Bottom View)</p>	<p>(2)Size Diagram</p> 
---	---

(3)Electric Character

Item	Specify	Performance	
Center Freq.(Fo) +/- 0.5 %	480 MHz	480 MHz	
Insertion Loss	Typ. 5.0 dB	3.9 dB	
-3 dB Bandwidth	Typ. 13 MHz	18 MHz	
Sensitivity (Attenuation)	Fo - 50 MHz	Typ. 55 dBc	58 dBc
	Fo + 50 MHz	Typ. 51 dBc	54 dBc
	Fo - ()MHz	Typ. dBc	dBc
	Fo +()MHz	Typ. dBc	dBc
Return Loss	Min. 12 dB	27 dB	
Ripple	< 1 dB	dB	
Impedance	In / Out : 50 Ω	In / Out : 50 Ω	

(4)Torque for Tuning Screw > 60gf · cm

(5)Temperature Condition:

Operating Temperature	-30℃ ~ +70℃
Storage Temperature	-30℃ ~ +80℃

(6)Input Power > 1Watt

Approval	Supervisor	Designer	Aperture size
C.Y.Chang	C.S.Chang	C.S.Chang	5R4S(3.8*3.7)

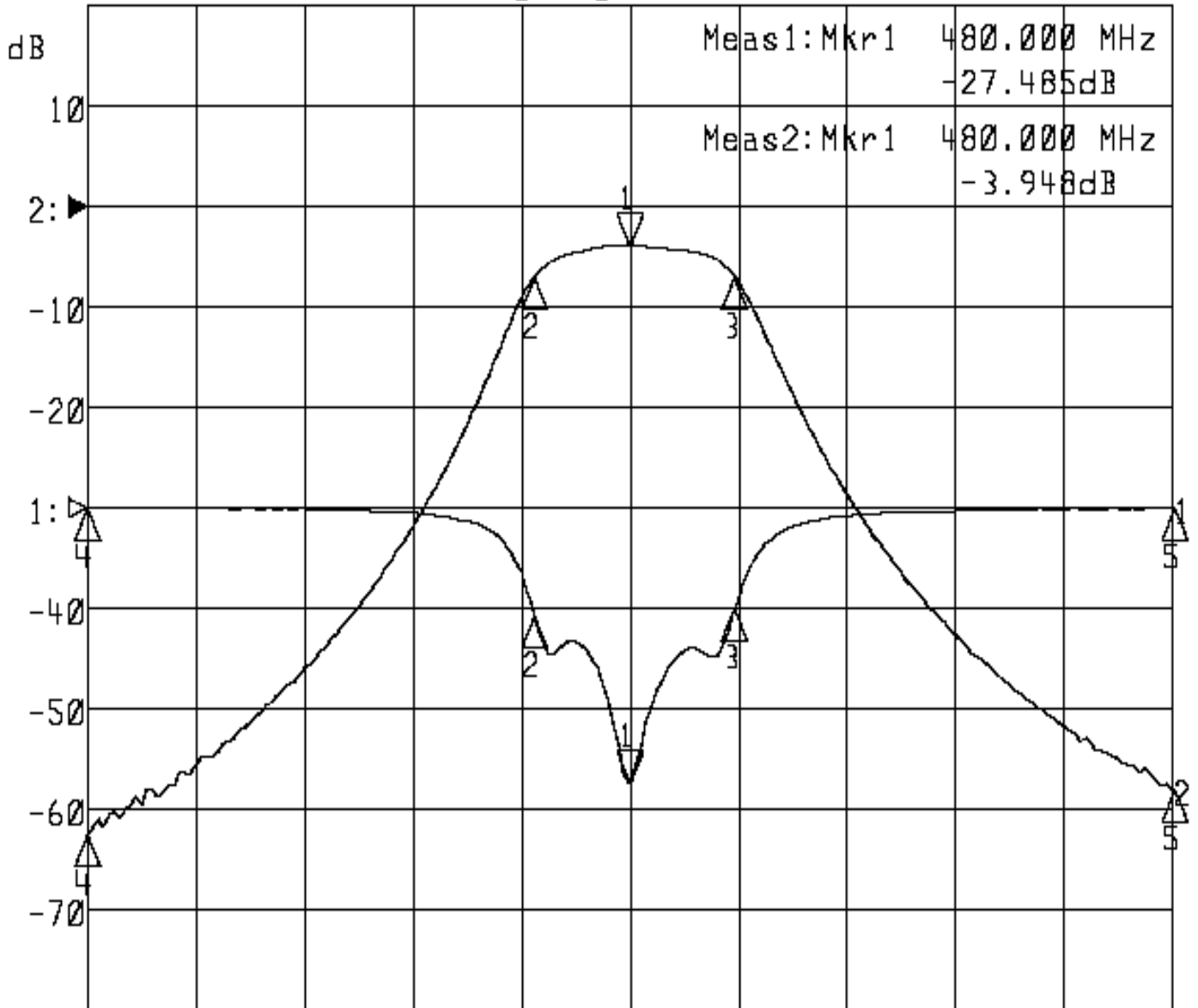
TEMWELL CORPORATION

Performance-TFR4639F-480M

20205018DC

▶1:S11 Refl Port1 Log Mag 10.0 dB/ Ref 0.00 dB C

▶2:S21 Fwd Trans Log Mag 10.0 dB/ Ref 0.00 dB C



Center 480.000 MHz

Span 100.000 MHz

1:Mkr (MHz)	dB	2:Mkr (MHz)	dB
1> 480.0000	-27.485	1> 480.0000	-3.948
2: 471.2333	-10.671	2: 471.2333	-6.954
3: 489.6667	-10.065	3: 489.6667	-6.903
4: 430.0000	-0.101	4: 430.0000	-62.613
5: 530.0000	-0.075	5: 530.0000	-58.075