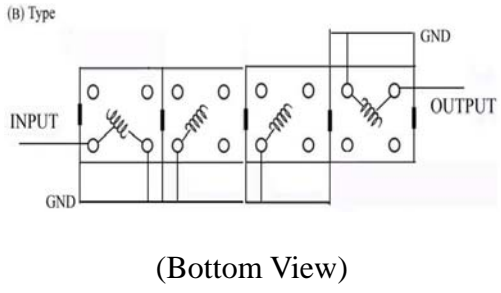
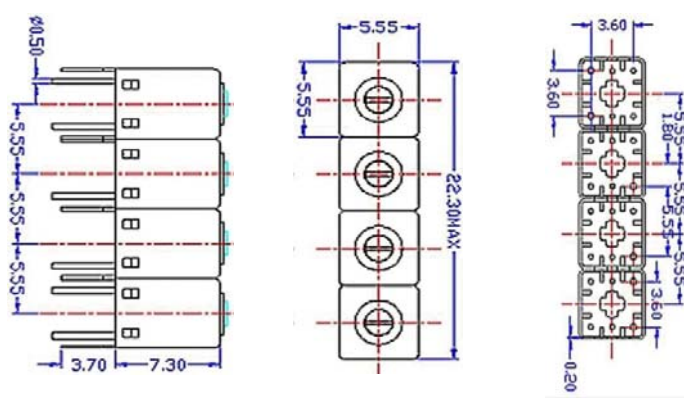


# VHF UHF Helical Filter Specification Sheet

Customer Name		Temwell's Part No.	TFR4701B-775M
Approval No. /dated	20205021DC	Acceptable Specify Fo. Range	750~800MHz
Work Instruction No.	20205021DC	Date	2002.05.16

<p>(1) Pin Position</p>  <p style="text-align: center;">(Bottom View)</p>	<p>(2) Size Diagram</p> 
--	--

(3) Electric Character

Item	Specify	Performance	
Center Freq.(Fo ) +/- 0.5 %	775 MHz	775 MHz	
Insertion Loss	Typ. 5.5 dB	4.6 dB	
-3 dB Bandwidth	Typ. 20 MHz	28 MHz	
Sensitivity (Attenuation )	Fo - 50 MHz	Typ. 42 dBc	45 dBc
	Fo + 50 MHz	Typ. 33 dBc	36 dBc
	Fo - ( )MHz	Typ. dBc	dBc
	Fo +( )MHz	Typ. dBc	dBc
Return Loss	Min. 12 dB	15 dB	
Ripple	< 1 dB	dB	
Impedance	In / Out : 50 Ω	In / Out : 50 Ω	

(4) Torque for Tuning Screw > 60gf • cm

(5) Temperature Condition:

Operating Temperature	-30°C ~ +70°C
Storage Temperature	-30°C ~ +80°C

(6) Input Power > 1Watt

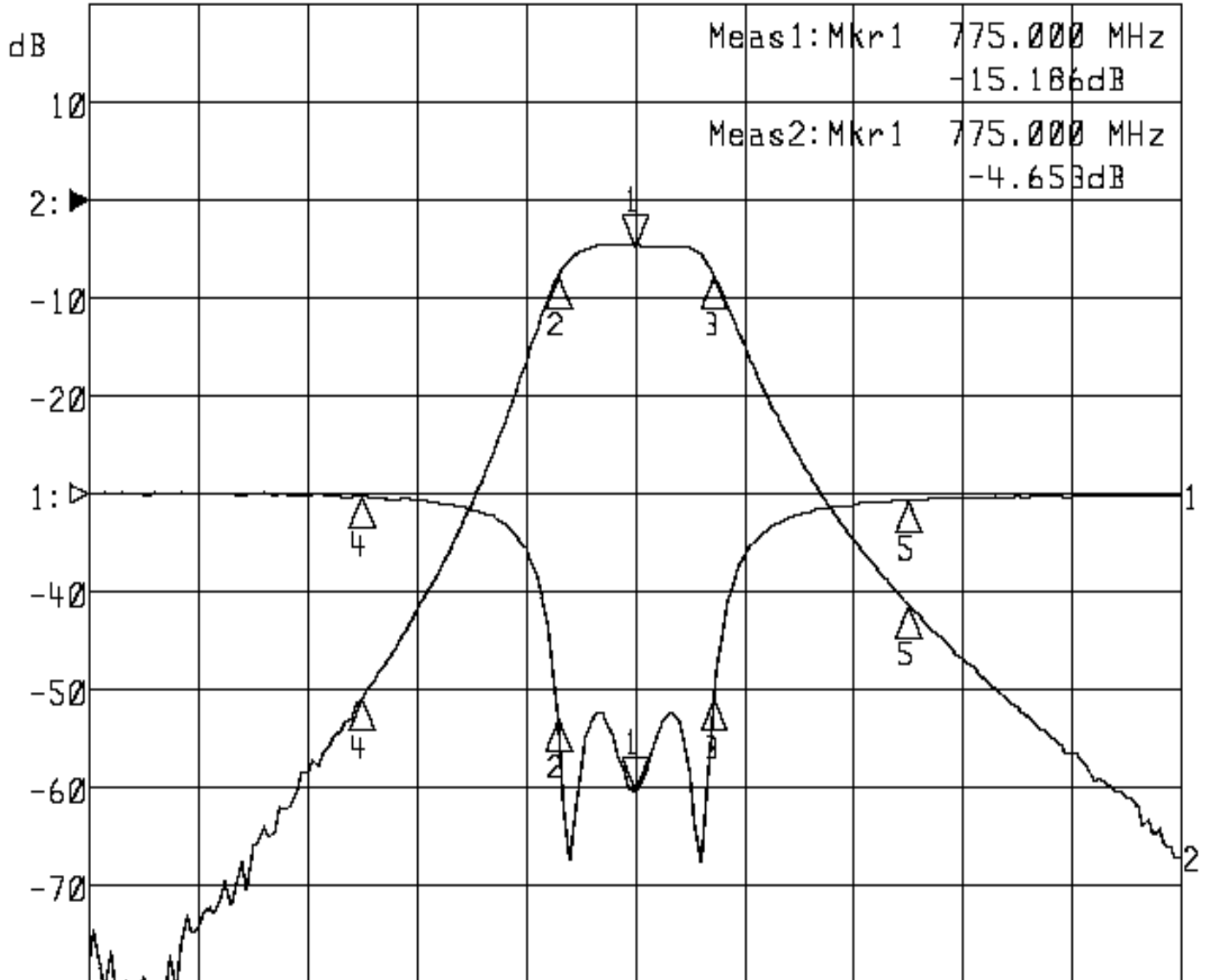
Approval	Supervisor	Designer	Aperture size
C.Y.Chang	C.S.Chang	C.S.Chang	5R4S(3.8*3.7)

TEMWELL CORPORATION

# Performance-TFR4701B-775M

## 20205021DC

▶1: S11 Refl Port1 Log Mag 5.0 dB/ Ref 0.00 dB C  
▶2: S21 Fwd Trans Log Mag 10.0 dB/ Ref 0.00 dB C



Center 775.000 MHz

Span 200.000 MHz

1: Mkr (MHz)	dB	2: Mkr (MHz)	dB
1> 775.0000	-15.186	1> 775.0000	-4.653
2: 760.9333	-11.528	2: 760.9333	-7.677
3: 789.4667	-10.512	3: 789.4667	-7.662
4: 725.0000	-0.142	4: 725.0000	-50.965
5: 825.0000	-0.375	5: 825.0000	-41.393