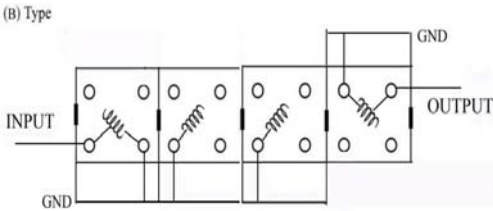
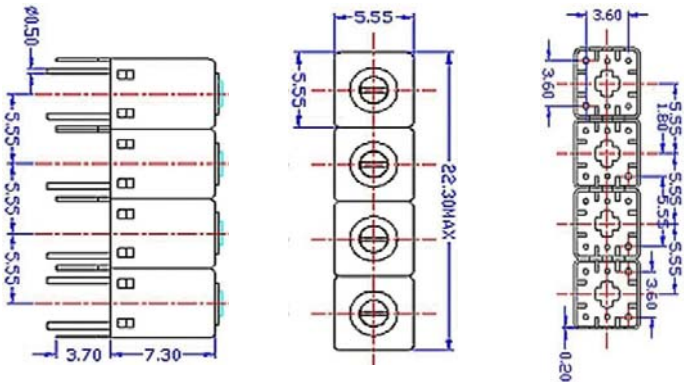


VHF UHF Helical Filter Specification Sheet

Customer Name		Temwell's Part No.	TFR4813B-1475M
Approval No. /dated	20205025DC	Acceptable Specify Fo. Range	1450~1500MHz
Work Instruction No.	20205025DC	Date	2002.05.17

(1)Pin Position	(2)Size Diagram
 <p>(Bottom View)</p>	

(3)Electric Character

Item	Specify	Performance	
Center Freq.(Fo) +/- 0.5 %	1475 MHz	1475 MHz	
Insertion Loss	Typ. 9.0 dB	8.2 dB	
-3 dB Bandwidth	Typ. 23 MHz	38 MHz	
Sensitivity (Attenuation)	Fo - 100 MHz	Typ. 63 dBc	66 dBc
	Fo + 100 MHz	Typ. 43 dBc	45 dBc
	Fo - ()MHz	Typ. dBc	dBc
	Fo +()MHz	Typ. dBc	dBc
Return Loss	Min. 12 dB	23 dB	
Ripple	< 1 dB	dB	
Impedance	In / Out : 50 Ω	In / Out : 50 Ω	

(4)Torque for Tuning Screw > 60gf • cm

(5)Temperature Condition:

Operating Temperature	-30°C ~ +70°C
Storage Temperature	-30°C ~ +80°C

(6)Input Power > 1Watt

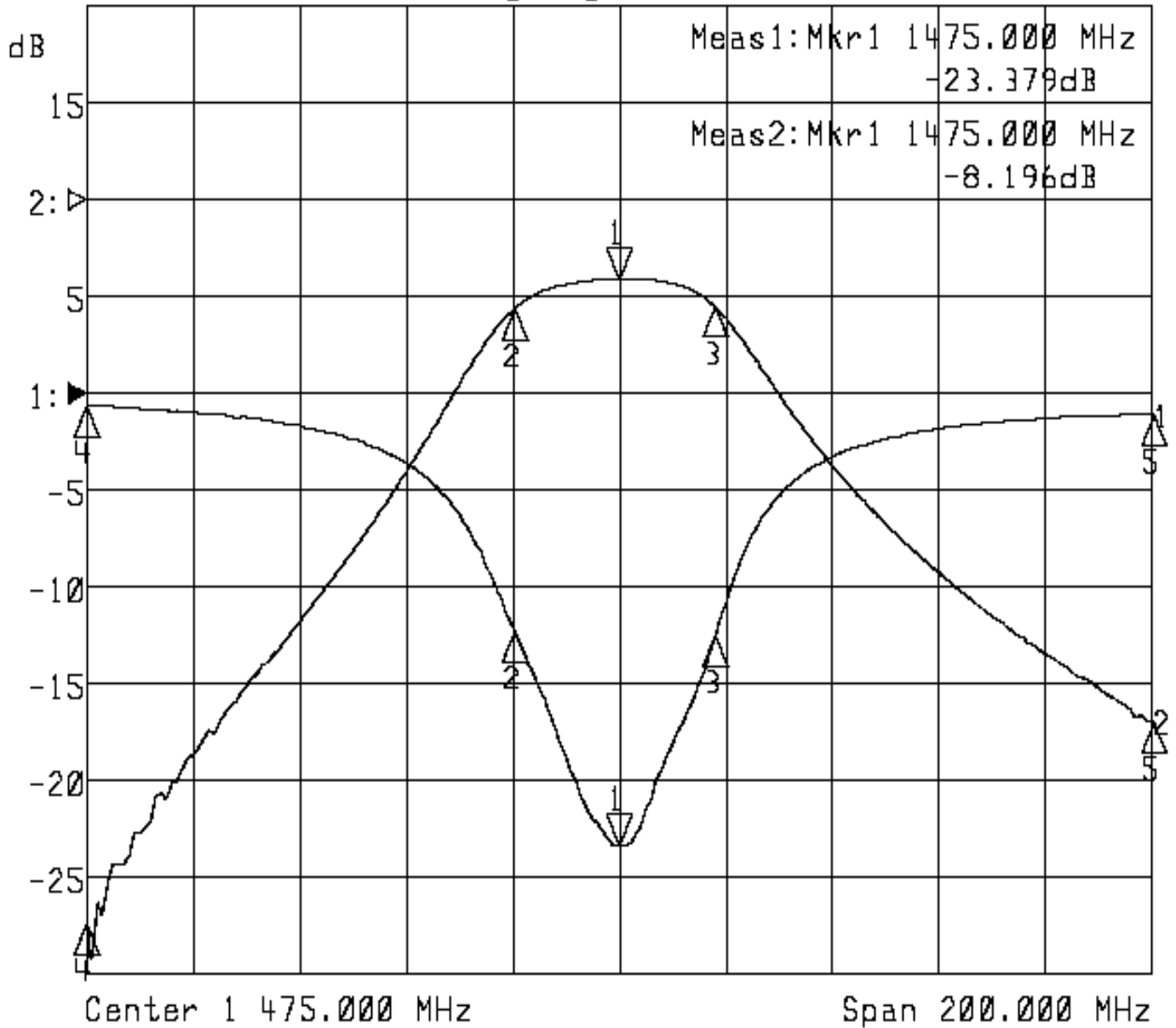
Approval	Supervisor	Designer	Aperture size
C.Y.Chang	C.S.Chang	C.S.Chang	5R4S(3.8*4.2)

TEMWELL CORPORATION

Performance-TFR4813B-1475M

20205025DC

▶1:S11 Refl Port1 Log Mag 5.0 dB/ Ref 0.00 dB C
▷2:S21 Fwd Trans Log Mag 10.0 dB/ Ref 0.00 dB C



1:Mkr (MHz)	dB	2:Mkr (MHz)	dB
1> 1475.0000	-23.379	1> 1475.0000	-8.196
2: 1455.2667	-12.198	2: 1455.2667	-11.295
3: 1493.0667	-12.539	3: 1493.0667	-11.055
4: 1375.0000	-0.610	4: 1375.0000	-74.664
5: 1575.0000	-1.064	5: 1575.0000	-53.925