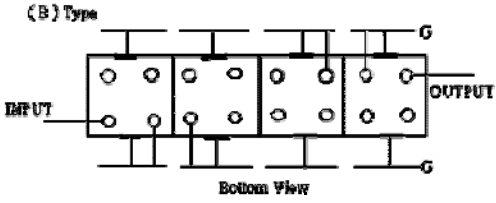
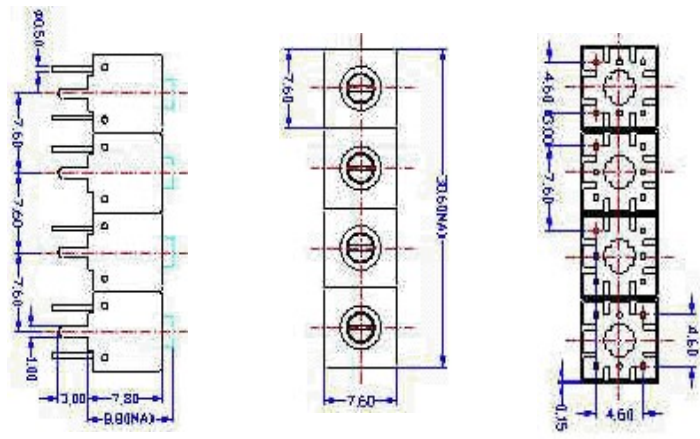


VHF UHF Helical Filter Specification Sheet

Customer Name		Temwell's Part No.	TFS4045B-341M
Approval No. /dated	20105072DB	Acceptable Specify Fo. Range	311~355MHz
Work Instruction No.	20105072DB	Date	2001.06.01

(1)Pin Position	(2)Size Diagram
 <p>(B) Type INPUT OUTPUT Bottom View</p>	

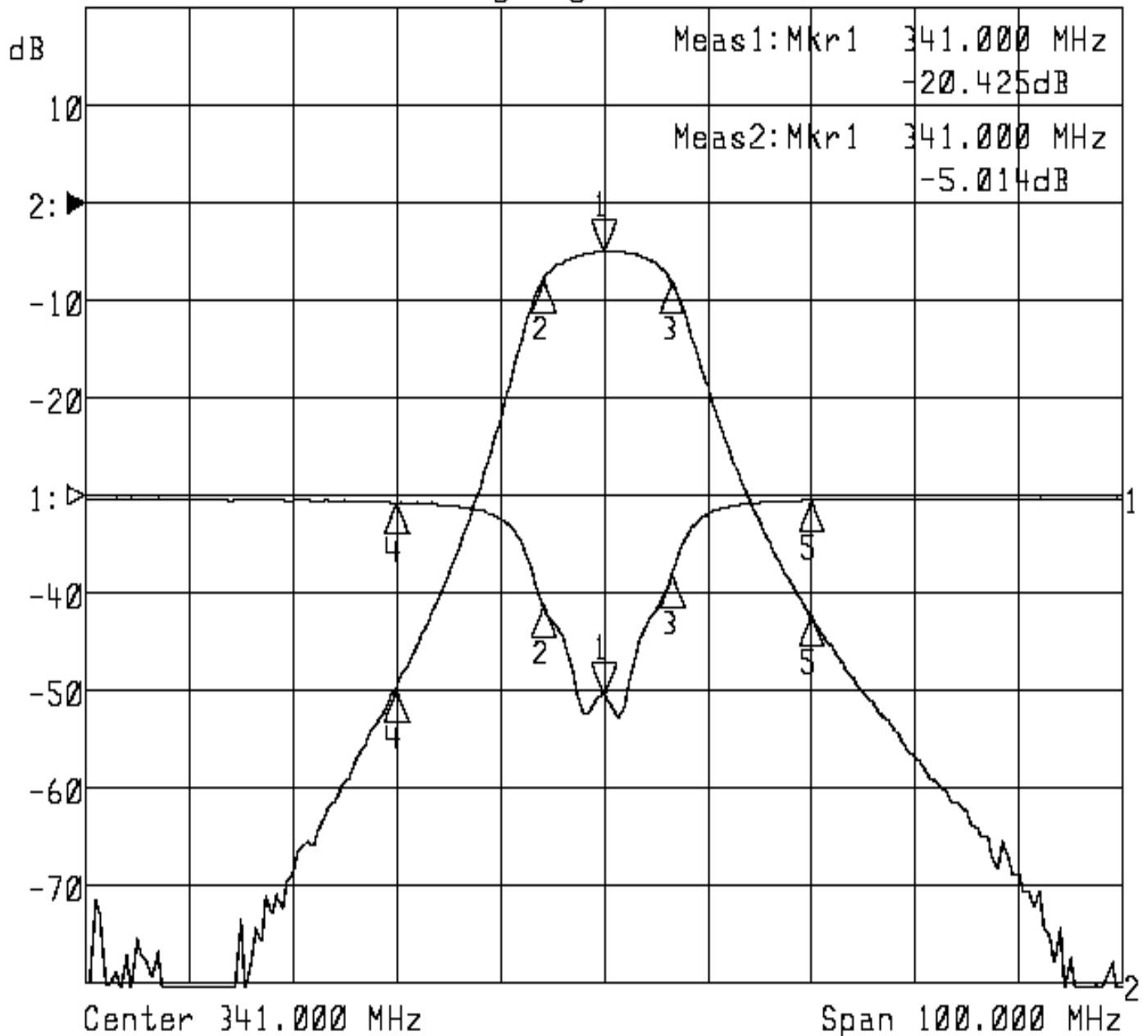
(3)Electric Character			
Item		Specify	Performance
Center Freq.(Fo) +/- 0.5 %		341 MHz	341 MHz
Insertion Loss		Typ. 6.0 dB	5.0 dB
-3 dB Bandwidth		Typ. 9 MHz	12 MHz
Sensitivity (Attenuation)	Fo - 20 MHz	Typ. 41 dBc	44 dBc
	Fo + 20 MHz	Typ. 34 dBc	37 dBc
	Fo - ()MHz	Typ. dBc	dBc
	Fo +()MHz	Typ. dBc	dBc
Return Loss		Min. 12 dB	20 dB
Ripple		< 1 dB	dB
Impedance		In / Out : 50 Ω	In / Out : 50 Ω
(4)Torque for Tuning Screw		> 100gf • cm	
(5)Temperature Condition:			
Operating Temperature		0°C ~ +60°C	
Storage Temperature		-20°C ~ +70°C	
(6)Input Power		> 1Watt	
Approval	Supervisor	Designer	Aperture size
C.Y.Chang	C.S.Chang	C.S.Chang	7S4S(4*3.5) 7S024RB5.5
TEMWELL CORPORATION			

Performance- TFS4045B-341M

20105072DB

▷1:S11 Refl Port1 Log Mag 10.0 dB/ Ref 0.00 dB C

▶2:S21 Fwd Trans Log Mag 10.0 dB/ Ref 0.00 dB C



1:Mkr (MHz)	dB	2:Mkr (MHz)	dB
1> 341.0000	-20.425	1> 341.0000	-5.014
2: 335.1333	-11.273	2: 335.1333	-7.942
3: 347.5000	-8.264	3: 347.5000	-7.960
4: 321.0000	-0.789	4: 321.0000	-49.926
5: 361.0000	-0.538	5: 361.0000	-42.337