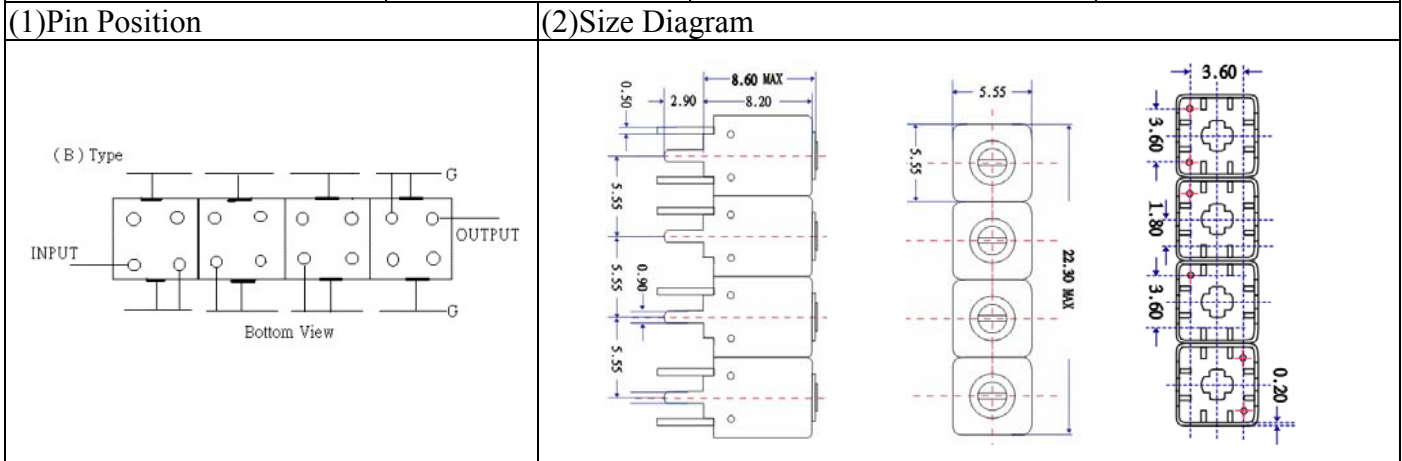


# VHF UHF Helical Filter Specification Sheet

Customer Name		Temwell's Part No.	TFW41031B-2100M
Approval No. /dated	201609029CD	Temwell's Print name	41031B 2100M
Work Instruction No.	201609029CD	Date	Oct.05.2016



(3) Electric Characteristic

Item	Specify	Performance
Center Freq.(Fo) +/- 0.5 %	2100 MHz	2100 MHz
Insertion Loss	Typ. 3.5 dB	3.03 dB
-3 dB Bandwidth	Typ. 86 MHz	96.3 MHz
Sensitivity (Attenuation)	Fo - 100 MHz	Typ. 29 dBc
	Fo + 100 MHz	Typ. 19 dBc
	Fo - ( )MHz	Typ. dBc
	Fo +( )MHz	Typ. dBc
Return Loss	Min. 12 dB	17.9 dB
Ripple	< 1 dB	
Impedance	In / Out : 50 Ω	In / Out : 50 Ω

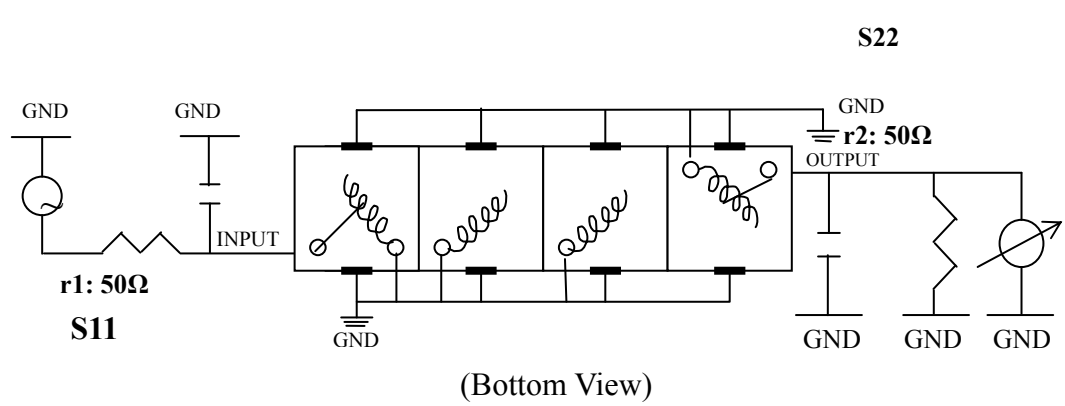
(4) Torque for Tuning Screw > 60gf · cm

(5) Temperature Condition:

Operating Temperature	0°C ~ +60°C
Storage Temperature	-20°C ~ +70°C

(6) Input Power > 0.5Watt

(7) Measuring Circuit: ※Easy to match Impedance S11/S22 50Ω by parallel with about(- -).



Approval C.Y.Chang	Supervisor C.K.Chang	Designer C.S.Chang	Aperture size 5W4S(3.8*4.5)(4.52) 5HW046RB3.2 (J1)
-----------------------	-------------------------	-----------------------	--

TEMWELL CORPORATION

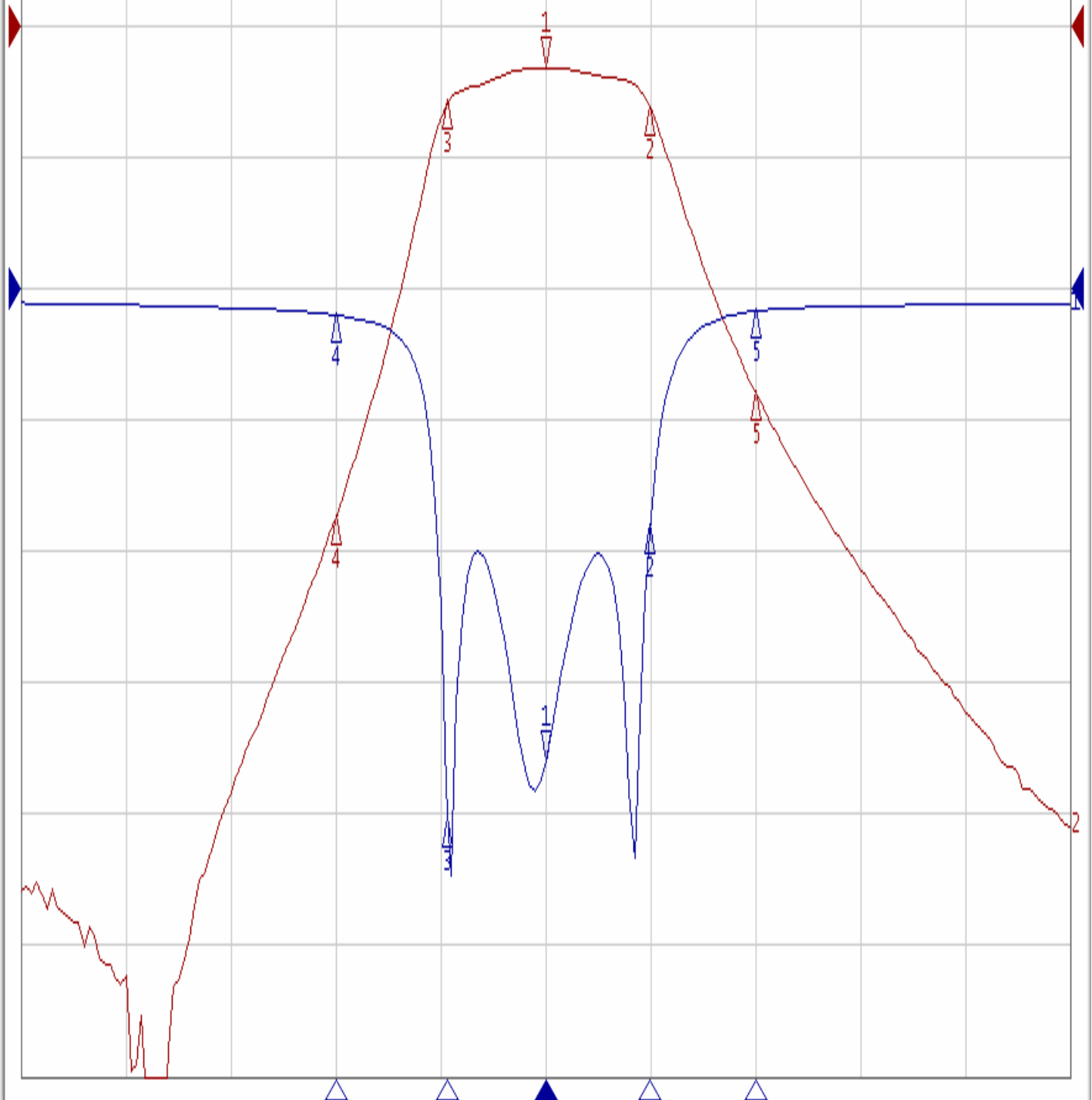
# Performance-TFW41031B-2100M

## 201609029CD

Tr1 S11 Log Mag 5.000dB/ Ref 0.000dB [F2]  
Tr2 S21 Log Mag 10.00dB/ Ref 0.000dB [F2]

1	2.1000000	GHz	-3.0378	dB
2	2.1497280	GHz	-6.0808	dB
3	2.0534210	GHz	-5.6693	dB
4	2.0000000	GHz	-37.198	dB
5	2.2000000	GHz	-27.718	dB

>1	2.1000000	GHz	-17.928	dB
2	2.1497280	GHz	-8.9368	dB
3	2.0534210	GHz	-20.162	dB
4	2.0000000	GHz	-0.9355	dB
5	2.2000000	GHz	-0.7848	dB



1 Center 2.1 GHz

IFBW 10 kHz

Span 500 MHz Cor !