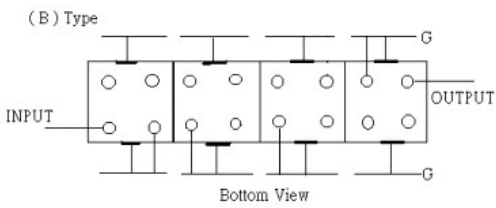
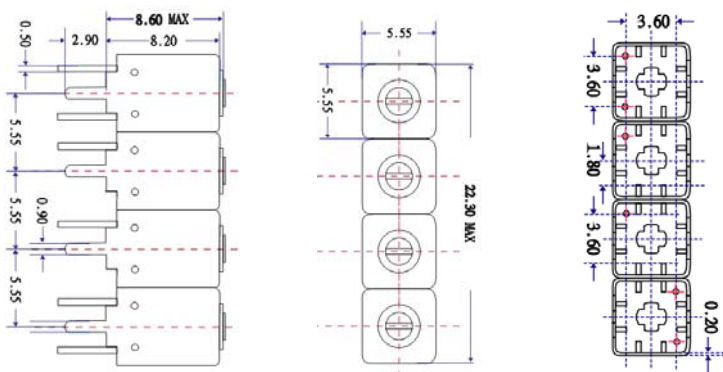


VHF UHF Helical Filter Specification Sheet

Customer Name		Temwell's Part No.	TFW41037B-1787.5M
Approval No. /dated	201708025CD	Temwell's Print name	41037B 1787.5M
Work Instruction No.	201708025CD	Date	Aug.14.2017

<p>(1)Pin Position</p>  <p>(B) Type</p> <p>INPUT</p> <p>OUTPUT</p> <p>Bottom View</p>	<p>(2)Size Diagram</p> 
--	---

(3)Electric Charasteric

Item	Specify	Performance	
Center Freq.(Fo) +/- 0.5 %	1787.5 MHz	1787.5 MHz	
Insertion Loss	Typ. 4.0 dB	3.19 dB	
-3 dB Bandwidth	Typ. 65 MHz	74.6 MHz	
Sensitivity (Attenuation)	Fo - 100 MHz	Typ. 43 dBc	48 dBc
	Fo + 100 MHz	Typ. 29 dBc	34 dBc
	Fo - ()MHz	Typ. dBc	dBc
	Fo +()MHz	Typ. dBc	dBc
Return Loss	Min. 12 dB	17.0 dB	
Ripple	< 1 dB	dB	
Impedance	In / Out : 50 Ω	In / Out : 50 Ω	

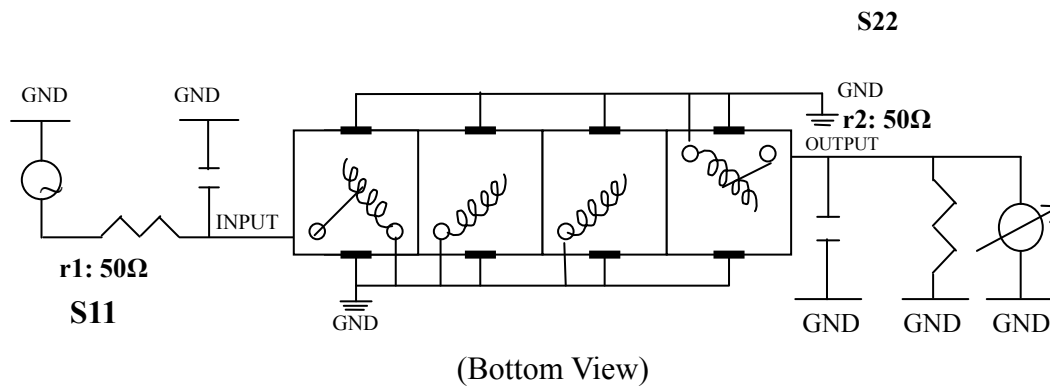
(4)Torque for Tuning Screw > 60gf • cm

(5)Temperature Condition:

Operating Temperature	0°C ~ +60°C
Storage Temperature	-20°C ~ +70°C

(6)Input Power > 0.5Watt

(7)Measuring Circuit: ※Easy to match Impedance S11/S22 50Ω by parallel with about(- -).



Approval	Supervisor	Designer	Aperture size
C.Y.Chang	C.K.Chang	C.S.Chang	5W4S(3.8*4.5)(4.56) 5HW046RB3.2 (J1)

TEMWELL CORPORATION

Performance-TFW41037B-1787.5M

201708025CD

