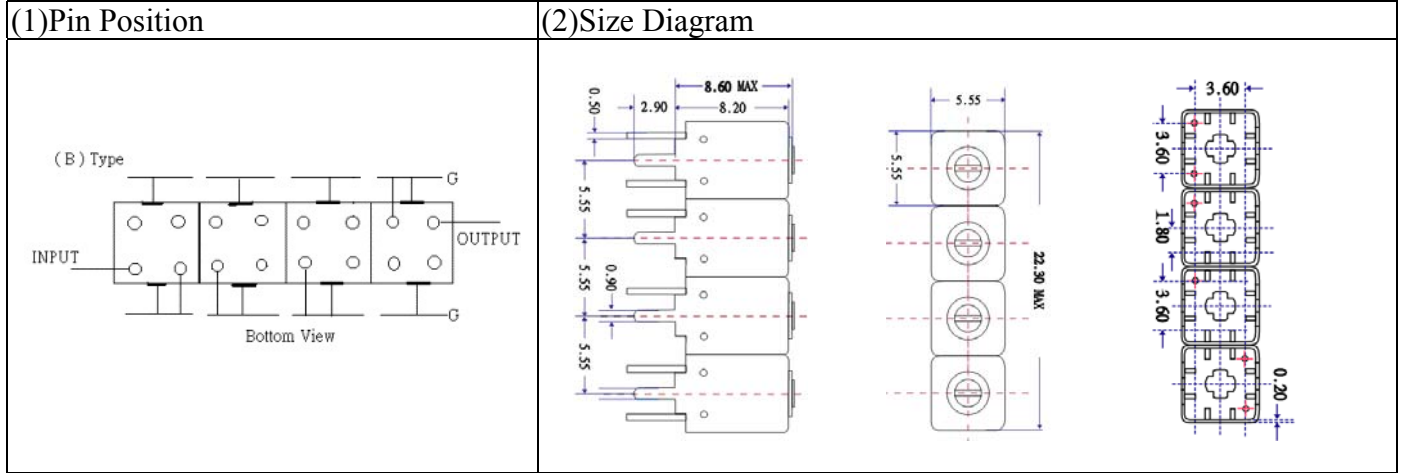


VHF UHF Helical Filter Specification Sheet

Customer Name		Temwell's Part No.	TFW41041B-2610M
Approval No. /dated	201708029CD	Temwell's Print name	41041B 2610M
Work Instruction No.	201708029CD	Date	Aug.28.2017



(3) Electric Characteristic

Item	Specify	Performance	
Center Freq.(Fo) +/- 0.5 %	2610 MHz	2610 MHz	
Insertion Loss	Typ. 3.5 dB	2.59 dB	
-3 dB Bandwidth	Typ. 130 MHz	143.5 MHz	
Sensitivity (Attenuation)	Fo - 200 MHz	Typ. 40 dBc	43 dBc
	Fo + 200 MHz	Typ. 19 dBc	22 dBc
	Fo - ()MHz	Typ. dBc	dBc
	Fo +()MHz	Typ. dBc	dBc
Return Loss	Min. 12 dB	18.6 dB	
Ripple	< 1 dB	dB	
Impedance	In / Out : 50 Ω	In / Out : 50 Ω	

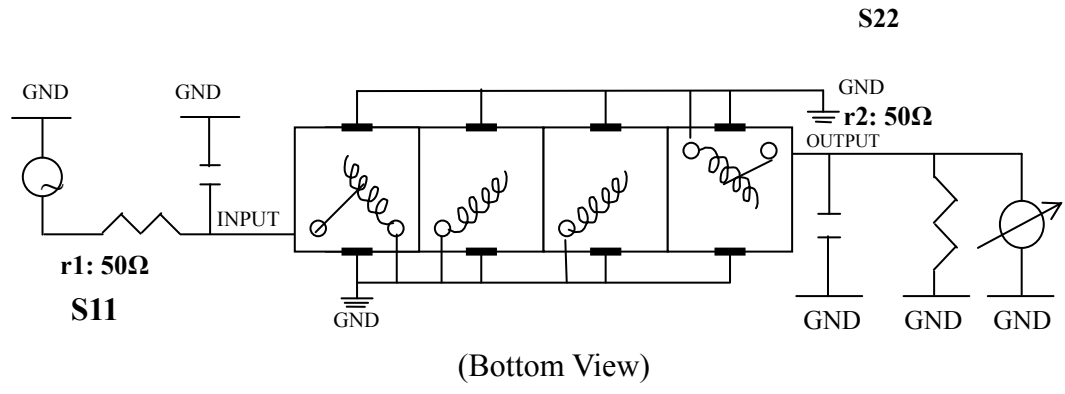
(4) Torque for Tuning Screw > 60gf · cm

(5) Temperature Condition:

Operating Temperature	0°C ~ +60°C
Storage Temperature	-20°C ~ +70°C

(6) Input Power > 0.5Watt

(7) Measuring Circuit: ※Easy to match Impedance S11/S22 50Ω by parallel with about(- -).



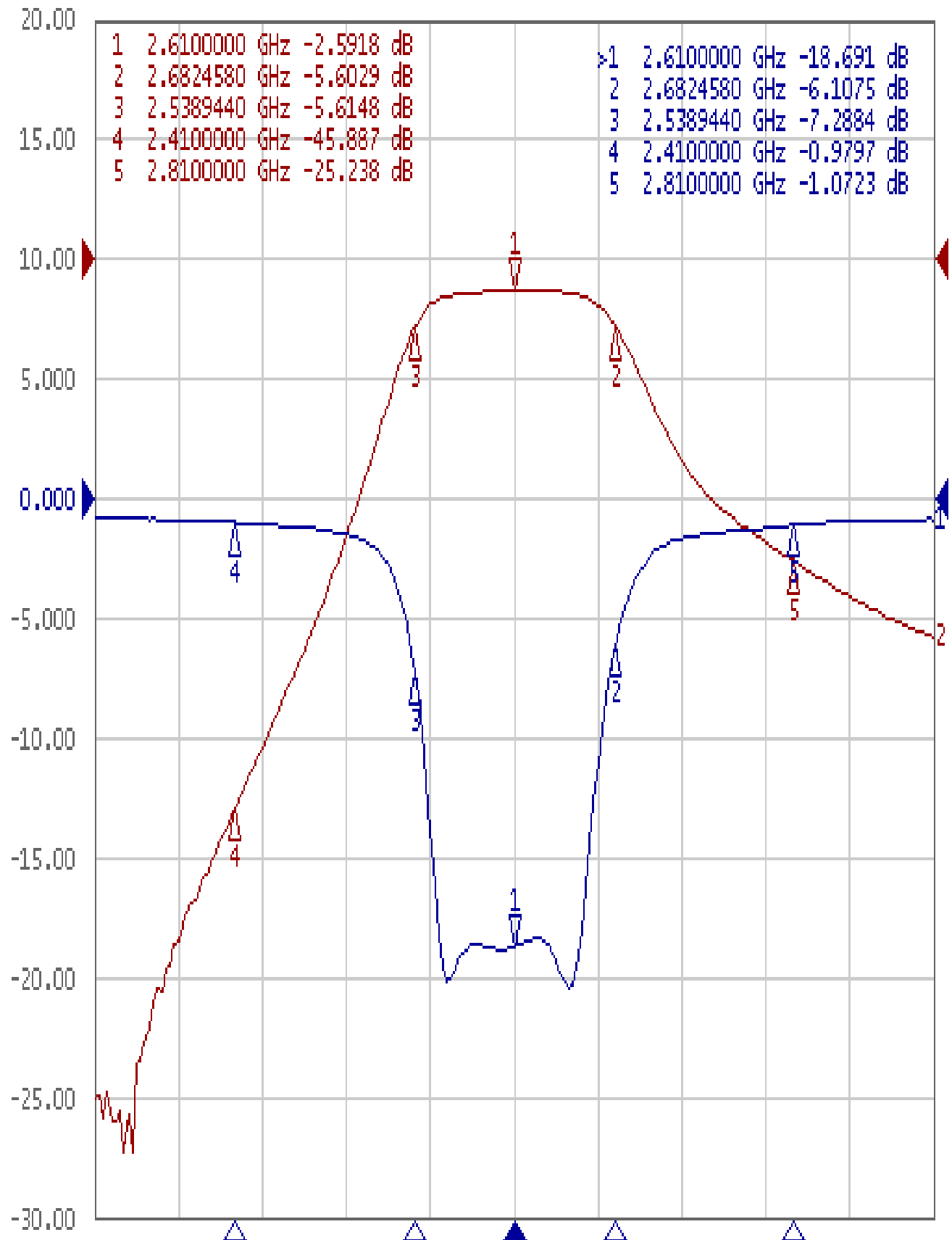
Approval	Supervisor	Designer	Aperture size
C.Y.Chang	C.K.Chang	W.W.Wang	5W4S(3.8*4.5)(4.53) 5HW046RB3.2(J1)

TEMWELL CORPORATION

Performance-TFW41041B-2610M

201708029CD

Tr1 S11 Log Mag 5.000dB/ Ref 0.000dB [F2]
Tr2 S21 Log Mag 10.00dB/ Ref 0.000dB [F2]



1 Center 2.61 GHz

IFBW 70 kHz

Span 600 MHz

Cor !