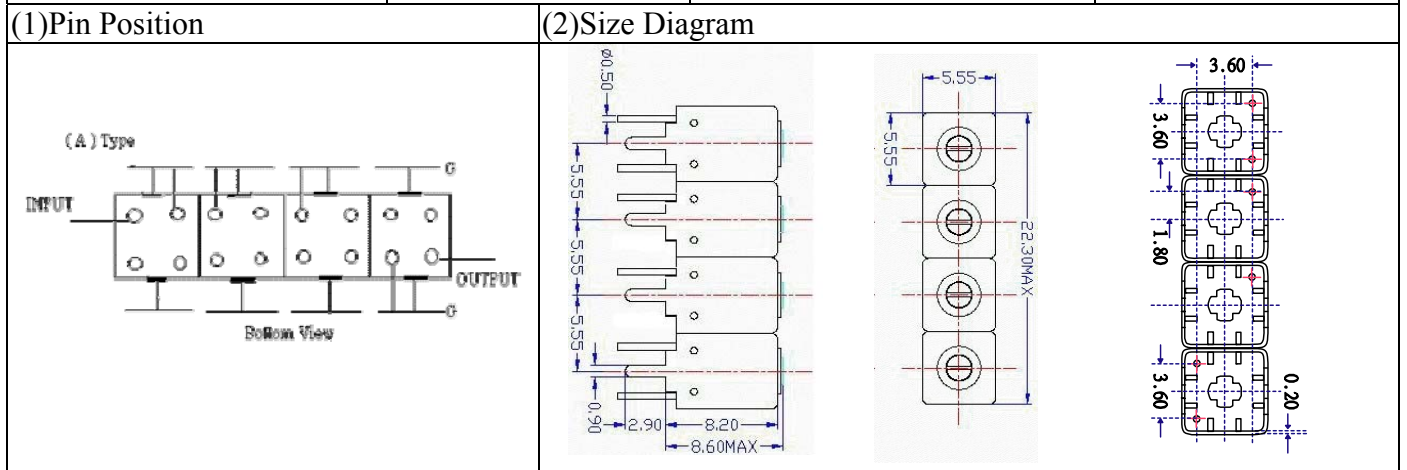


VHF UHF Helical Filter Specification Sheet

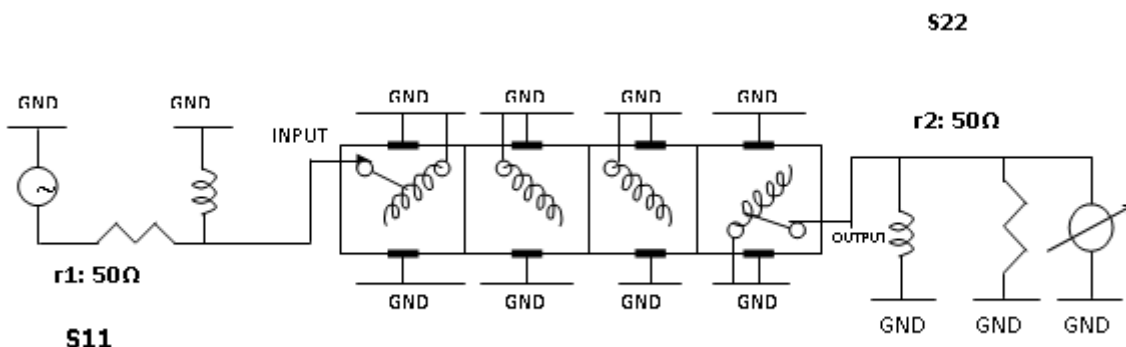
Customer Name		Temwell's Part No.	TFW4417A-240M
Approval No. /dated	201801029CD	Temwell,s print Name	4417A 240M
Work Instruction No.	201801029CD	Date	Jan.19.2018



(3)Electric Charasteric

Item	Specify	Performance
Center Freq.(Fo) +/- 0.5 %	240 MHz	240 MHz
Insertion Loss	Typ. 5.0 dB	4.13 dB
-3 dB Bandwidth	Typ. 12 MHz	16.5 MHz
Sensitivity (Attenuation)	Fo - 20 MHz	Typ. 33 dBc
	Fo + 20 MHz	Typ. 25 dBc
	Fo - ()MHz	Typ. dBc
	Fo +()MHz	Typ. dBc
Return Loss	Min. 12 dB	25.4 dB
Ripple	< 1 dB	dB
Impedance	In / Out : 50 Ω	In / Out : 50 Ω
(4)Torque for Tuning Screw	> 60gf · cm	
(5)Temperature Condition:		
Operating Temperature	0°C ~ +60°C	
Storage Temperature	-20°C ~ +70°C	
(6)Input Power	> 0.5Watt	

(7) Measuring Circuit: ※Easy to match Impedance S11/S22 50Ω/50Ω by parallel with about(- -).



(Bottom View)

Approval	Supervisor	Designer	Aperture size
C.Y.Chang	C.K.Chang	C.S.Chang	5W4S(3.8*5.1)(5.12) 5HW00LB3

TEMWELL CORPORATION

Performance-TFW4417A-240M

201801029CD

Tr1 S11 Log Mag 5.000dB/ Ref 0.000dB [F2]
Tr2 S21 Log Mag 10.00dB/ Ref 0.000dB [F2]

