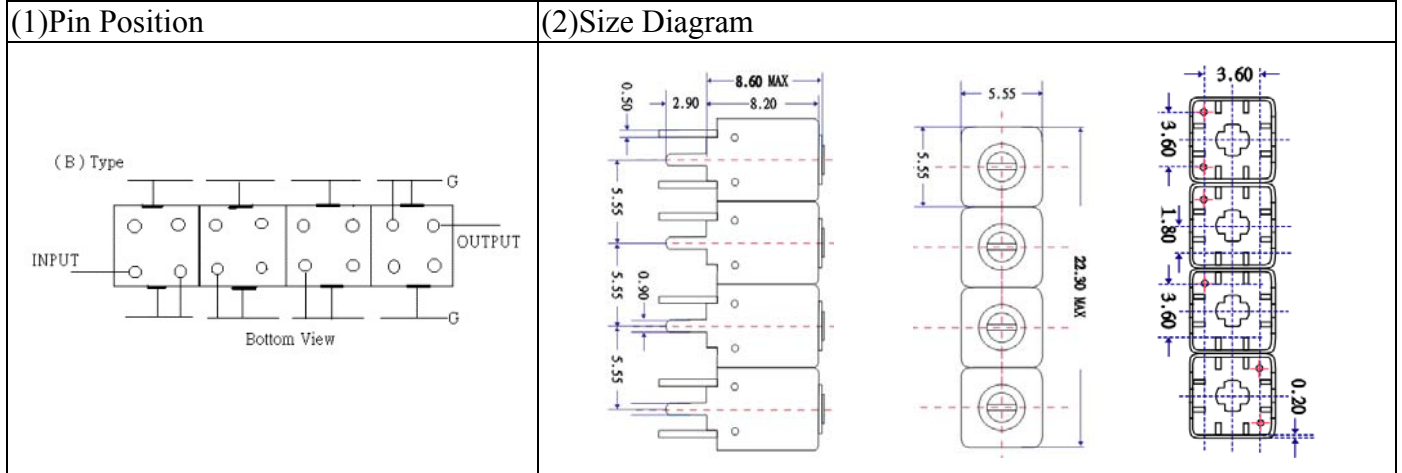


VHF UHF Helical Filter Specification Sheet

Customer Name		Temwell's Part No.	TFW4426B-480M
Approval No. /dated	201801050CD	Temwell's Print name	4426B 480M
Work Instruction No.	201801050CD	Date	Jan.29.2018



(3) Electric Characteristic

Item		Specify		Performance	
Center Freq.(Fo) +/- 0.5 %		480	MHz	480	MHz
Insertion Loss		Typ. 5.0	dB	3.90	dB
-3 dB Bandwidth		Typ. 9	MHz	17.0	MHz
Sensitivity (Attenuation)	Fo - 50 MHz	Typ. 59	dBc	69	dBc
	Fo + 50 MHz	Typ. 45	dBc	50	dBc
	Fo - ()MHz	Typ.	dBc		dBc
	Fo +()MHz	Typ.	dBc		dBc
Return Loss		Min. 12	dB	31.5	dB
Ripple		< 1 dB		dB	
Impedance		In / Out : 50 Ω		In / Out : 50 Ω	

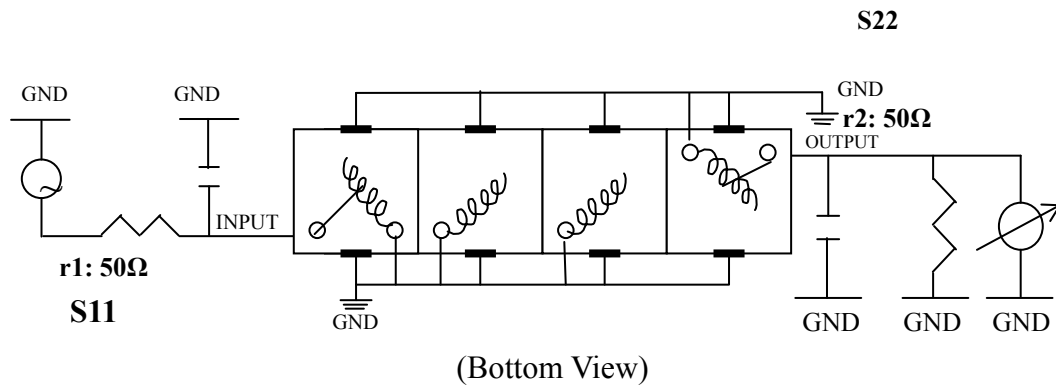
(4) Torque for Tuning Screw > 60gf • cm

(5) Temperature Condition:

Operating Temperature	0°C ~ +60°C
Storage Temperature	-20°C ~ +70°C

(6) Input Power > 0.5Watt

(7) Measuring Circuit: ※Easy to match Impedance S11/S22 50Ω by parallel with about(- -).

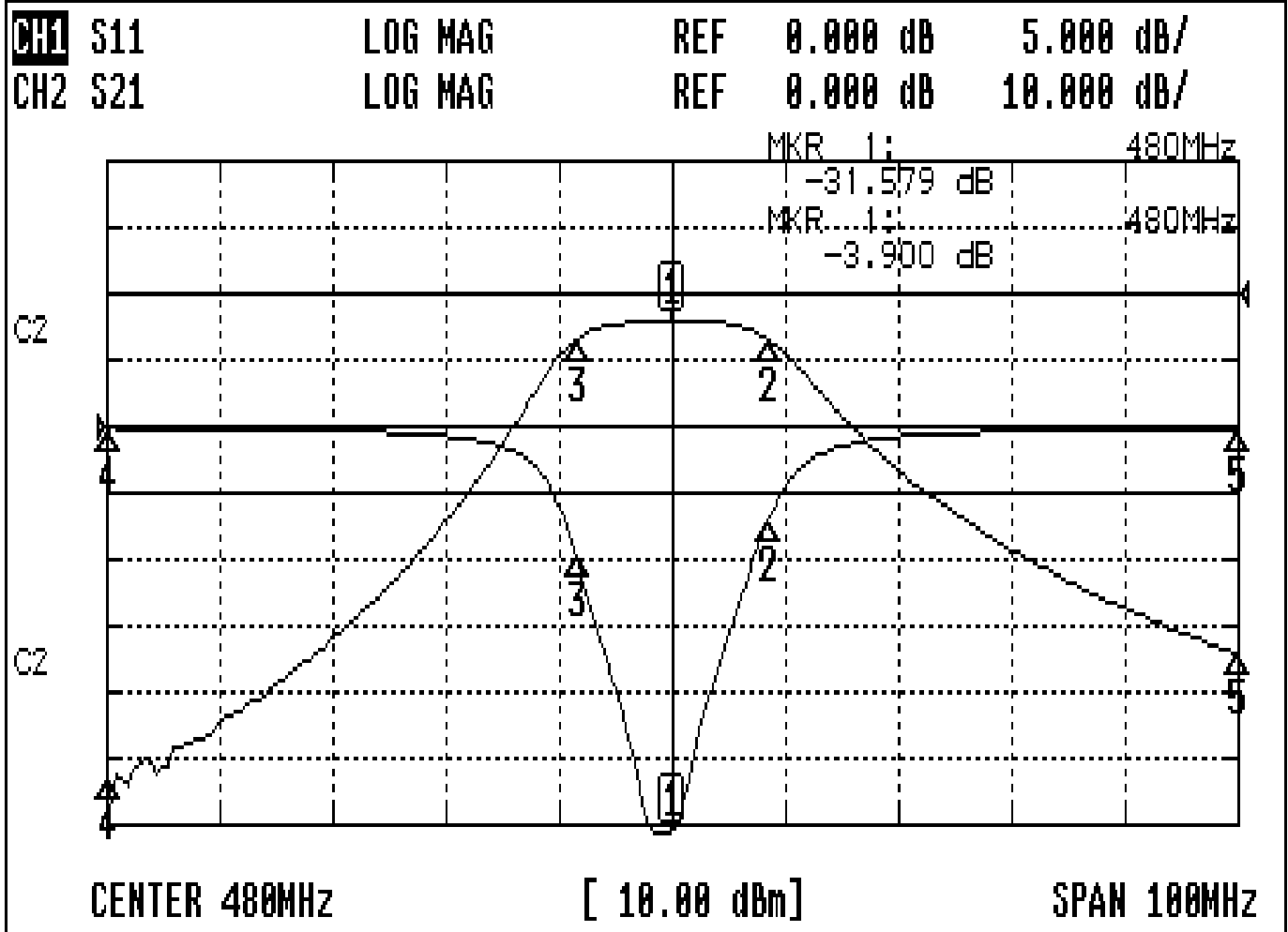


Approval	Supervisor	Designer	Aperture size
C.Y.Chang	C.K.Chang	W.W.Wang	5W4S(3.8*4.0)(4.03) 5HW024LB3(J1)

TEMWELL CORPORATION

Performance-TFW4426B-480M

201801050CD



CH1 MARKER LIST

1:	480.000MHz	-31.579 dB
2:	488.583MHz	-6.949 dB
3:	471.500MHz	-9.602 dB
4:	430.000MHz	-0.146 dB
5:	530.000MHz	-0.175 dB

CH2 MARKER LIST

1:	480.000MHz	-3.900 dB
2:	488.583MHz	-6.912 dB
3:	471.500MHz	-6.921 dB
4:	430.000MHz	-72.905 dB
5:	530.000MHz	-54.036 dB